



# Husqvarna®

## BR600

### EAC

|       |                             |         |
|-------|-----------------------------|---------|
| EN    | Operator's manual           | 2-11    |
| BG    | Ръководство за експлоатация | 12-21   |
| CS    | Návod k použití             | 22-30   |
| DA    | Bruksanvisning              | 31-39   |
| DE    | Bedienungsanweisung         | 40-49   |
| EL    | Οδηγίες χρήσης              | 50-59   |
| ES    | Manual de usuario           | 60-69   |
| ET    | Kasutusjuhend               | 70-78   |
| FI    | Käyttöohje                  | 79-87   |
| FR    | Manuel d'utilisation        | 88-97   |
| HU    | Használati utasítás         | 98-107  |
| LT    | Operatoriaus vadovas        | 108-116 |
| LV    | Lietošanas pamācība         | 117-125 |
| NL    | Gebruiksaanwijzing          | 126-135 |
| NO    | Bruksanvisning              | 136-144 |
| PL    | Instrukcja obsługi          | 145-154 |
| PT    | Manual do utilizador        | 155-164 |
| RO    | Instrucțiuni de utilizare   | 165-173 |
| RU    | Руководство по эксплуатации | 174-183 |
| SK    | Návod na obsluhu            | 184-192 |
| SL    | Navodila za uporabo         | 193-201 |
| SV    | Bruksanvisning              | 202-210 |
| TR    | Kullanım kılavuzu           | 211-219 |
| ZH    | 操作手册                        | 220-227 |
| EN-US | Operator's manual           | 228-236 |
| ES-MX | Manual de usuario           | 237-245 |
| FR-CA | Manuel d'utilisation        | 246-254 |
| IT-US | Manuale dell'operatore      | 255-263 |

---

## Contents

---

|                   |   |   |    |
|-------------------|---|---|----|
| Introduction..... | 2 | Maintenance.....                          | 7  |
| Safety.....       | 3 | Transportation, storage and disposal..... | 8  |
| Assembly.....     | 6 | Technical data.....                       | 8  |
| Operation.....    | 7 | Declaration of Conformity.....            | 10 |

---

## Introduction

---

### Product description

We have a policy of continuous product development and therefore reserve the right to modify the design and appearance of the products without prior notice.

**Note:** This manual cover both gasoline operated and battery operated power units.

---

### Intended use

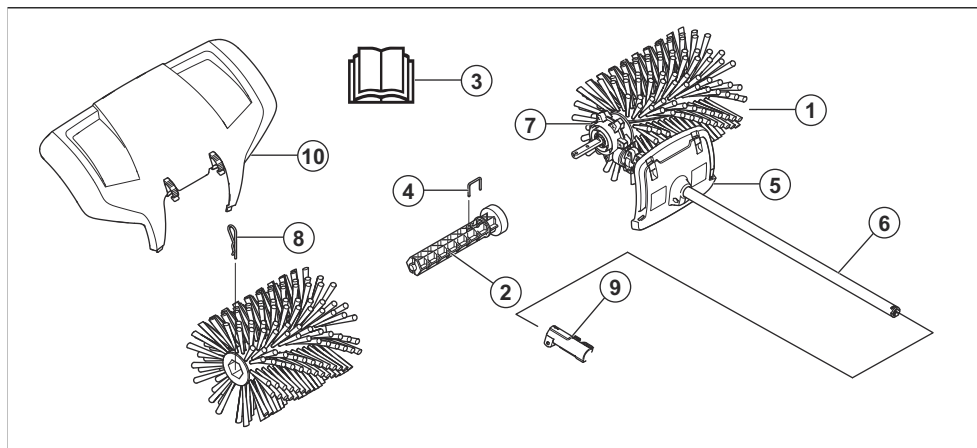


**WARNING:** This attachment may only be used together with the intended product, see the accessory chapter in the Operator's Manual of the product.

---

The attachment is only designed for brushing pathways, asphalt roads and such.

### Attachment overview



1. Brush drum
2. Drum axle
3. Operator's manual
4. Locking pin
5. Guard (Protection on shaft)
6. Shaft
7. Gear housing
8. Split pin
9. Shaft coupling (Included with the product)
10. Splash guard

### Symbols on the attachment and on the power unit



Careless or incorrect use of this attachment can result in serious or fatal injury to the operator or others.



Read the operator's manual carefully and make sure you understand the instructions before you use the attachment.





Use approved hearing protection. Use approved eye protection. Use a breathing mask when there is a risk of dust.



Keep a minimum of 15 m / 50 ft distance to persons and animals during operation of the product.



This attachment is in accordance with applicable EC directives.



Keep all parts of your body away from the hot surfaces.



This product conforms to applicable UK regulations.



Noise emission to the environment label as per EU and UK directives and regulations, and New South Wales legislation "Protection of the Environment Operations (Noise Control) Regulation 2017". The guaranteed sound power level of the product is specified in *Technical data on page 8* and on the label.



Rotating parts. Keep hands and feet clear. The arrow indicates the direction of rotation.



Always wear approved protective gloves.

**Note:** Other symbols/decals on the attachment refer to special certification requirements for certain markets.



Wear sturdy, non-slip boots.



Watch out for thrown objects and ricochets.



The operator must ensure that no people or animals come closer than 15 m. When several operators are working at the same site a safety distance of at least 15 m must be in effect. The attachment can forcibly throw objects that can bounce back. This can result in serious eye injuries if the recommended safety equipment is not used.

## Safety

### Safety definitions

Warnings, cautions and notes are used to point out specially important parts of the operator's manual.



**WARNING:** Used if there is a risk of injury or death for the operator or bystanders if the instructions in the manual are not obeyed.

area if the instructions in the manual are not obeyed.

**Note:** Used to give more information that is necessary in a given situation.



**CAUTION:** Used if there is a risk of damage to the product and/or the attachment, other materials or the adjacent



**WARNING:** Read the safety instructions that follow before you use the attachment.

### General safety instructions

- Please read the operator's manual carefully and make sure you understand the instructions before using the attachment.
- These instructions supplement the instructions that were included with the product. For other procedures, please refer to the operating instructions for the product.
- Under no circumstances may the design of the attachment be modified without the permission of the manufacturer. Do not use an attachment that appears to have been modified by others and always use original accessories. Non-authorized modifications and/or accessories can result in serious personal injury or the death of the operator or others.
- Never use the product in extreme weather conditions such as severe cold, very hot and/or humid climates.
- Never use a product that is faulty. Carry out the safety checks, maintenance and service instructions described in this manual. Some maintenance and service measures must be carried out by trained and qualified specialists. See instructions under the Maintenance heading.
- Never allow children to use the product.
- Never allow anyone else to use the product without first ensuring that they have read and understood the contents of the operator's manual.
- Keep unauthorized persons at a distance. Children, animals, onlookers and helpers should be kept outside the safety zone of 15 m while you work. Stop the product immediately if anyone approaches.
- If you encounter a situation where you are uncertain how to proceed you should ask an expert. Contact your dealer or your service workshop.
- Avoid all usage which you consider to be beyond your capability.
- Observe your surroundings and make sure that there is no risk of people or animals coming in contact with or affect your control of the product.
- Listen out for warning signals or shouts when you are wearing hearing protection. Always remove your hearing protection as soon as the engine/motor stops.
- Do not use the product in bad weather, such as dense fog, heavy rain, strong wind, intense cold, etc. Working in bad weather is tiring and often brings added risks, such as icy ground.
- Make sure you can move and stand safely.

## Read all instructions



**WARNING:** When using electric gardening appliances, basic safety precautions should always be followed to reduce the risk of fire, electric shock, and personal injury, including the following:

## Safety instructions for operation



**WARNING:** Read the warning instructions that follow before you use the product.

- Make sure to prevent unintentional starting when assembling, checking and/or performing maintenance. If you have a gasoline operated product, disconnect the spark plug cap from the spark plug. If you have a battery operated product, remove the battery.
- At times grass and stones can become caught in the tines. Always stop the engine/motor when cleaning.
- Watch out for thrown objects. Always wear eye protection. Never bend over the brush drum. Stones, rubbish, etc. can be thrown up into the eyes causing blindness or serious injury.
- The gear can get hot during use and may remain so for a while afterwards. You could get burnt if you touch it.
- Hold the product securely when starting.
- Although the brush drums do not have the same force as lawn mower blades, for example, you should avoid working with materials that can cause personal injury or damage to property if thrown out.
- Do not use the product unless you are able to call for help in the event of an accident.
- Only use the product for the purpose it was intended for.
- Never use the product if you are tired, if you have drunk alcohol, or if you are taking medication that could affect your vision, your judgement or your coordination.



- The product must be switched off before moving.
- Do not put the product down with the engine/motor running unless you have it in clear sight.
- Always use both hands to hold the product. Hold the product at the side of your body.
- Make sure that your hands and feet do not come near the brush when the engine/motor is running.
- When the engine/motor is switched off, keep your hands and feet away from the brush until it has stopped completely.
- If heavy vibration occurs, stop the product. If you have a gasoline operated product, disconnect the HT lead from the spark plug. If you have a battery operated product, remove the battery. Make

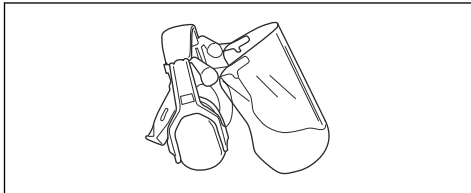
sure that the product is not damaged. Repair any damage.

## Personal protective equipment

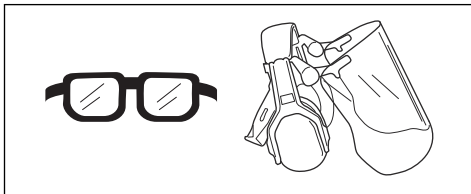


**WARNING:** Read the warning instructions that follow before you use the product.

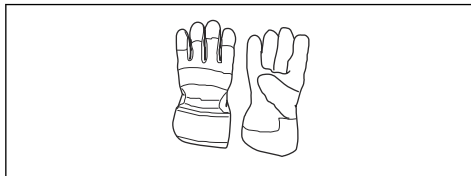
- Always use approved personal protective equipment when you use the product. Personal protective equipment cannot fully prevent injury but it decreases the degree of injury if an accident does occur. Let your dealer help you select the right equipment.
- Use approved hearing protection that provides adequate noise reduction. Long-term exposure to noise can result in permanent hearing impairment.



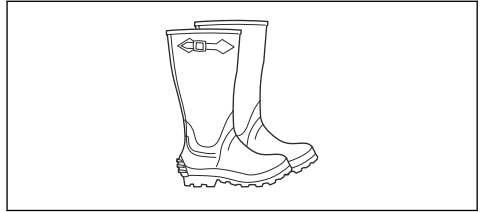
- Use approved eye protection. If you use a visor, you must also use approved protective goggles. Approved protective goggles must comply with the ANSI Z87.1 standard in the USAs or EN 166 in EU countries.



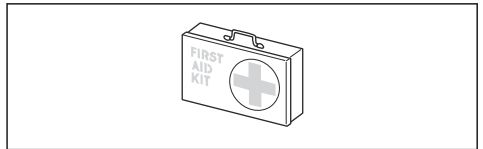
- Use gloves when necessary, for example when you attach, examine or clean the cutting equipment.



- Use protective boots with steel toes and non-slip soles.



- Use clothing made of a strong fabric. Always use heavy, long pants and long sleeves. Do not use loose clothing that can catch on twigs and branches. Do not wear jewelry, short pants, sandals or go with bare feet. Put your hair up safely above shoulder level.
- Keep first aid equipment close at hand.



## Safety devices on the attachment



**WARNING:** Read the warning instructions that follow before you use the attachment.

This section contains the attachment's safety features, its purpose and how checks and maintenance should be carried out to ensure that it operates correctly. See instructions under the heading *Attachment overview on page 2* to find where these parts are located on your attachment.

The life span of the attachment can be reduced and the risk of accidents can increase if attachment maintenance is not carried out correctly and if service and/or repairs are not carried out professionally. If you need further information please contact your nearest servicing dealer.



**WARNING:** Never use an attachment with defective safety components. The attachment's safety equipment must be inspected and maintained as described in this section. If your attachment fails any of these checks, contact your service agent to get it repaired.



**WARNING:** All servicing and repair work on the product requires special training. This is especially true of the product's safety equipment. If your product fails any of the checks described below you must contact your service agent. When

you buy any of our products we guarantee the availability of professional repairs and service. If the retailer who sells your product is not a servicing dealer, ask him for the address of your nearest service agent.

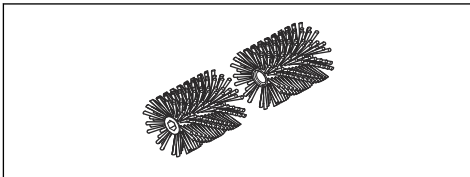
have a battery operated product, remove the battery.

## Safety instructions for maintenance



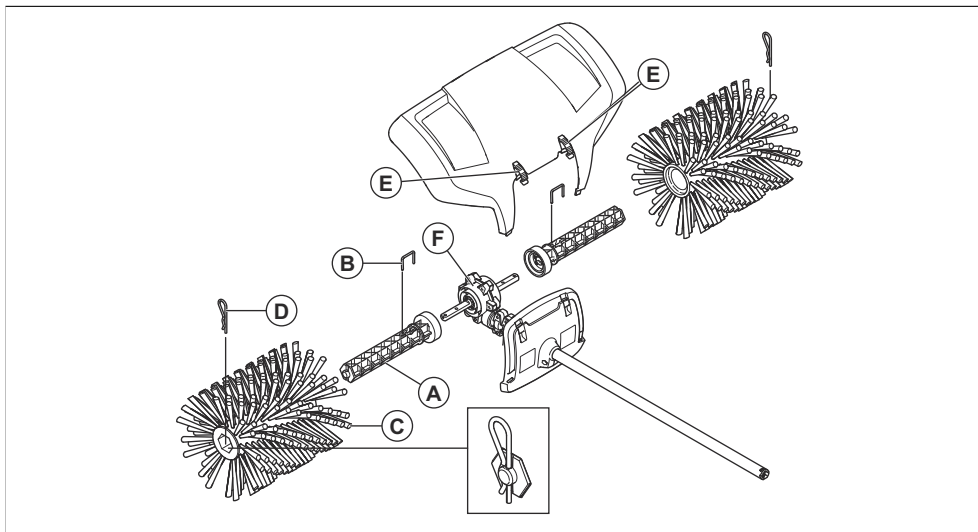
**WARNING:** Always stop the product before you do maintenance on the attachment. Be careful, the attachment can continue to move after the throttle/power trigger is released. Make sure that the attachment has stopped fully. If you have a gasoline operated product, disconnect the HT leads from the spark plug. If you

- Check the entire product before starting. Replace damaged parts.
- Check that all guards and covers are complete and attached correctly. Examine all nuts and screws.
- If you have a gasoline operated product, make sure that there are no fuel leaks.
- Check that the brush drums are not damaged and show no signs of cracking or other damage.



## Assembly

### To assemble the attachment



1. Press one of the drum axles (A) onto one of the two outgoing drive shafts from the gear housing (F). Rotate the drum axle if necessary so that the pin hole comes over the corresponding hole in the drive shaft.
2. Fasten the roller shaft with locking pin (B).
3. Put one of the brush rollers (C) onto the assembled shaft. Press in the roller until it stops.
4. Fasten the roller on the shaft with a cotter pin (D). Press in the end slightly when assembling.
5. Repeat these steps to assemble the axle and roller on the opposite side.
6. Mount the splash guard with the snap-on fasteners (E).

**Note:** For assembling accessories on basic product, refer to manual for basic product.

---

## Operation

---

### To use the attachment

1. Operate the product at full throttle/speed (or nearly full throttle/speed) with the brush resting on the surface.

**Note:** It is both tiring and unnecessary to lift or hold the brush above the surface when working.

2. When clearing narrow surfaces such as paths, the product can be used so that it throws materials straight in front of you. If you want to work on wider surfaces, you may need to work at an angle so that strands form on one side. Strands comprising light materials can be collected into one row or pile for later removal while hard or more bulky materials may need collecting in several strands.



3. In order to get into corners, remove the splash guard and loosen the accessory coupling and rotate the accessory half a turn.



**WARNING:** Rubbish will then be thrown back towards the user. Use a lower speed when reversing the product and remember that it is easy to trip over.

4. Keep a small working angle to the surface. Too large a working angle means the sweeper tends to move towards you and you risk losing control of the product.



---

## Maintenance

---

### Introduction

Below you will find some general maintenance instructions. If you need further information please contact your service workshop.

### To do maintenance on the accessory



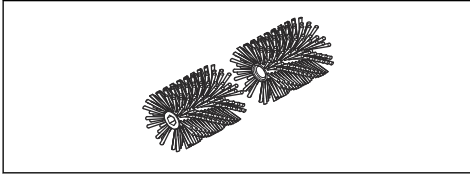
**CAUTION:** The accessory operates in dirty conditions. If you have a gasoline operated product, it is very important to do maintenance of the air filter regularly.

The air filter must be lubricated with oil to operate satisfactorily. Refer to the operator's manual of the power unit for maintenance instructions.



**WARNING:** The gear housing gets hot when the product has been in use. To avoid burning yourself do not touch the gear housing.

1. Check that the brush drums do not rotate when the throttle/power trigger is released.



2. Check that the brush drums are not damaged or cracked. Replace the brush drums if necessary.
3. Hang up the brush when in storage for long periods.

---

## Transportation, storage and disposal

---

### Transport and storage

Ensure the attachment is cleaned and that a complete service is carried out before long-term storage.

If transporting the attachment on another vehicle always use approved securing devices and make sure that the attachment is securely held.

---

## Technical data

---

### Technical data for gasoline operated products

|   |              |
|---|--------------|
| <b>Bristle brush</b>  | <b>BR600</b> |
| Brush drum width, mm  | 597          |
| Brush drum diameter, mm   | 270          |
| <b>Weight</b>   |              |
| Weight, kg  | 5.3          |
| <b>Noise emissions <sup>1</sup></b>   |              |
| Sound power level, measured dB (A)  | 106          |
| Sound power level, guaranteed L <sub>WA</sub> dB (A)  | 110          |
| <b>Sound levels <sup>2</sup></b>  |              |
| Equivalent sound pressure level at the operator's ear, measured according to EN ISO 22868, dB (A):              | 94           |
| <b>Vibrations <sup>3</sup></b>  |              |
| Equivalent vibration levels (a <sub>hv,eq</sub> ) at handles, measured according to ISO 22867, m/s <sup>2</sup> |              |
| Front/rear handles  | 3.7/6.2      |

<sup>1</sup> Noise emissions in the environment measured as sound power (L<sub>WA</sub>) in conformity with EC directive 2000/14/EC. Reported sound power level for the machine has been measured with the original cutting attachment that gives the highest level. The difference between guaranteed and measured sound power is that the guaranteed sound power also includes dispersion in the measurement result and the variations between different machines of the same model according to Directive 2000/14/EC.

<sup>2</sup> Reported data for equivalent sound pressure level for the machine has a typical statistical dispersion (standard deviation) of 1 dB (A).

<sup>3</sup> Reported data for equivalent vibration level has a typical statistical dispersion (standard deviation) of 1 m/s<sup>2</sup>.



## Technical data for battery operated products

|  |         |
|--|---------|
| <b>325iLK + Bristle brush attachment BR600</b>                                       |         |
| Brush drum width, mm   | 597     |
| Brush drum diameter, mm  | 270     |
| <b>Weight</b>  |         |
| Weight, kg   | 2.3+5.3 |
| <b>Noise emissions <sup>4</sup></b>  |         |
| Sound power level, measured dB (A)   | 90      |
| <b>Sound levels <sup>5</sup></b>   |         |
| Sound pressure level at the operator's ear, measured according to ISO 22868, dB (A): | 80      |
| <b>Vibrations <sup>6</sup></b>   |         |
| Vibration levels at handles, measured according to EN 62841-1, m/s <sup>2</sup>      |         |
| Equipped with approved accessory (original), left/right                              | 3.3/3.1 |

<sup>4</sup> Reported data for sound power level for the machine has a typical statistical dispersion (standard deviation) of 3 dB (A) and has been measured with the original attachment that gives the highest level.

<sup>5</sup> Reported data for sound pressure level for the machine has a typical statistical dispersion (standard deviation) of 3 dB (A) and has been measured with the original attachment that gives the highest level.

<sup>6</sup> Reported data for vibration level has a typical statistical dispersion (standard deviation) of 2 m/s<sup>2</sup>. For comparison of vibrations levels, battery and combustion products use vibration calculator. <https://www.husqvarna.com/uk/services-solutions/vibration-calculator/>.

---

# Declaration of Conformity

---

## EU Declaration of Conformity

We, **Husqvarna AB**, SE-561 82 Huskvarna, Sweden, tel: +46-36-146500, declare on our sole responsibility that the product:

|                       |   |
|-----------------------|---|
| <b>Description</b>    | Bristle attachment                          |
| <b>Brand</b>          | Husqvarna                                   |
| <b>Type / Model</b>   | BR600                                       |
| <b>Identification</b> | Serial numbers dating from 2022 and onwards |

complies fully with the following EU directives and regulations:

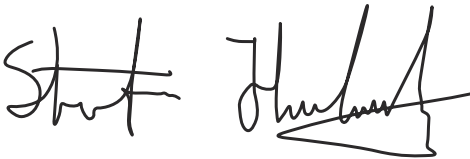
| <b>Directive / Regulation</b> | <b>Description</b>  |
|-------------------------------|---|
| 2006/42/EC                    | "relating to machinery"   |
| 2000/14/EC                    | "relating to the noise emissions in the environment"  |
| 2011/65/EU                    | "on the restriction of the use of certain hazardous substances in electrical and electronic equipment " |

and that the following standards and/or technical specifications are applied: EN ISO 12100:2010, EN IEC 63000:2018

RISE SMP Svenska Maskinprovning AB, Box 7035, SE-750 07 Uppsala, Sweden has performed voluntary type examination on behalf of Husqvarna AB.

Certificate number: SEC/15/2412

Huskvarna, 2022-03-29



Stefan Holmberg, R&D Director, Technology Management, Husqvarna AB

Responsible for technical documentation



# UK Declaration of Conformity

We, **Husqvarna AB**, SE-561 82 Huskvarna, Sweden, tel: +46-36-146500, declare on our sole responsibility that the product:

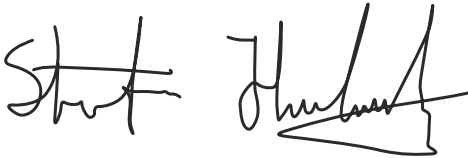
|                       |   |
|-----------------------|---|
| <b>Description</b>    | Bristle attachment                          |
| <b>Brand</b>          | Husqvarna                                   |
| <b>Type / Model</b>   | BR600                                       |
| <b>Identification</b> | Serial numbers dating from 2022 and onwards |

complies fully with the following UK regulations:

|  |
|--|
| <b>Description</b>   |
| The Supply of Machinery (Safety) Regulations 2008  |
| The Noise Emission in the Environment by Equipment for use Outdoors Regulations 2001                               |
| The Restriction of the Use of Certain Hazardous Substances in Electrical and Electronic Equipment Regulations 2012 |

and that the following standards and/or technical specifications are applied: EN ISO 12100:2010, EN IEC 63000:2018.

Huskvarna, 2022-03-29



Stefan Holmberg, R&D Director, Technology Management, Husqvarna AB

Responsible for technical documentation

**UK  
CA**

UK Importer:  
Husqvarna UK Ltd  
Preston Road, Co. Durham  
DL5 6UP

## Съдържание

|                  |    |  |    |
|------------------|----|--|----|
| Въведение.....   | 12 | Поддръжка.....                               | 18 |
| Безопасност..... | 13 | Транспортиране, съхранение и изхвърляне..... | 19 |
| Монтаж.....      | 17 | Технически данни.....                        | 19 |
| Операция.....    | 17 | Декларация за съответствие.....              | 21 |

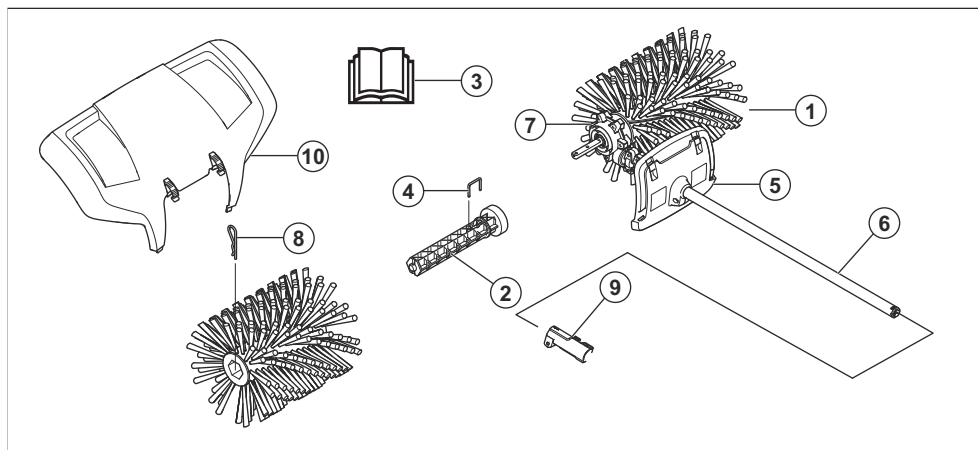
## Въведение

### Описание на продукта

Ние имаме политика на непрекъснато развитие на своите продукти и затова запазваме правото си да променяме тяхната конструкция и външен вид без предизвестие.

**Забележка:** Това ръководство обхваща както бензинови, така и захранвани с акумулаторни батерии захранващи блокове.

### Общ преглед на приставка



1. Барабан с четки
2. Ос на барабана
3. Ръководство за оператора
4. Шплинт
5. Предпазител (защита на двусекционния вал)
6. Вал
7. Корпус на предавката
8. Шплинт
9. Съединение на двусекционния вал (включено с продукта)
10. Предпазител срещу разплискване

### Предназначение



**ПРЕДУПРЕЖДЕНИЕ:** Тази приставка може да се използва единствено заедно с предназначения продукт, вижте главата за аксесоари в ръководството за оператора на продукта.

Приставката е предназначена единствено за метене на пътеки, асфалтови пътища и подобни.

### Символи върху приставката и захранващия блок



Невнимателното или неправилното използване на тази приставка може да доведе до сериозно или смъртоносно нараняване на оператора или други лица.



Прочетете внимателно ръководството за оператора и се уверете, че разбирате инструкциите, преди да използвате приставката.



Използвайте одобрена защита на слуха. Използвайте одобрени защитни средства за очите. Използвайте предпазната маска, когато има опасност от прах.



Тази приставка отговаря на изискванията на приложимите директиви на ЕО.



Този продукт съответства на приложимите регламенти на Обединеното кралство.



Въртящи се части. Осигурете пространство около ръцете и краката си. Стрелката показва посоката на въртене.



Винаги носете одобрени защитни ръкавици.



Носете устойчиви и нехлъзгащи се ботуши.



Пазете се от изхвърлени и рикоширащи предмети.



Операторът трябва да внимава да не се приближават хора или животни в радиус от 15 m. Когато няколко оператора работят в един и същ обект, трябва да се спазва безопасно разстояние от поне 15 m. Приставката може да изхвърли предмети с голяма сила, които да отскочат обратно. Това може да доведе до сериозни наранявания на очите, ако не се използват препоръчителните предпазни средства.



Поддържайте минимално разстояние от 15 m/50 ft спрямо хора и животни по време на работа с продукта.



Пазете всички части на тялото си далеч от горещите повърхности.



Етикет за шумовите емисии за околната среда съгласно директивите и регламентите на ЕС и Обединеното кралство и законодателството на Нов Южен Уелс "Регламент 2017 относно защитата от дейности, оказващи влияние на околната среда (контрол на шума)". Гарантираното ниво на звуковата мощност на продукта е посочено в *Технически данни на страница 19* и на етикета.

**Забележка:** Останалите символи/стикери върху приставката се отнасят за специфични изисквания по отношение на сертификати за определени пазари.

## Безопасност

### Дефиниции за безопасност

Предупреждения, знаци за внимание и бележки се използват за указване на особено важни части на инструкцията за експлоатация.



**ПРЕДУПРЕЖДЕНИЕ:** Използва се, ако има опасност от нараняване или смърт за оператора или за околните, ако не се спазват инструкциите в ръководството.



**ВНИМАНИЕ:** Използва се, ако има опасност от повреждане на продукта и/или приставката, други материали или съседната зона, ако не се спазват инструкциите в ръководството.

**Забележка:** Използва се за предоставяне на повече информация, която е необходимо в дадена ситуация.

## Общи инструкции за безопасност



**ПРЕДУПРЕЖДЕНИЕ:** Прочетете следващите инструкции за безопасност, преди да използвате приставката.

- Прочетете внимателно ръководството за оператора и се уверете, че разбирате инструкциите, преди да използвате приставката.
- Тези инструкции допълват инструкциите, приложени към продукта. За други процедури, моля, направете справка с инструкциите за работа за продукта.
- При никакви обстоятелства не бива да се нанасят модификации в първоначалната конструкция на приставката без разрешение от производителя. Не използвайте дадена приставка, когато се вижда, че е модифицирана от други лица, и винаги използвайте оригинални принадлежности. Неразрешени изменения и/или приспособления може да предизвикат сериозни телесни повреди или смъртта на оператора или други лица.

## Прочетете всички инструкции



**ПРЕДУПРЕЖДЕНИЕ:** Когато използвате електрически градинарски инструменти, основните инструкции по техника за безопасност трябва винаги да се спазват, за да се намали опасността от пожар, електрически удар и телесна повреда, включително следното:

## Инструкции за безопасност за работа



**ПРЕДУПРЕЖДЕНИЕ:** Прочетете следващите предупредителни указания, преди да използвате машината.

- Не забравяйте да не допускате нежелано стартиране, когато монтирате, проверявате и/или извършвате техническо обслужване. Ако имате продукт, който работи с бензин, разкачете лулата на запалителната свещ от запалителната свещ. Ако имате продукт, работещ с акумулатор, извадете акумулатора.
- Понякога може трева и камъчета да се заклеят между роговете. Винаги спирайте двигателя/мотора, когато го почиствате.
- Опасност от хвърчащи предмети. Винаги носете защитни средства за очите. Не се навеждайте над барабана с четки. В очите ви могат да попаднат камъни и отпадъци, които могат да доведат до слепота или сериозно наранявания.
- По време на работа и доста време след това, предавката може да е нагорещена. При допир съществува риск от изгаряне.

- Дръжте продукта здраво, когато го включвате.
- Барабанът с четки няма такава сила като ножовете на косачката например, но все пак избягвайте да работите с материали, които могат да изхвъркнат и да причинят наранявания или щети.
- Никога не работете с продукта, когато нямате възможност да повикате помощ в случай на злополука.
- Използвайте продукта единствено по предназначение.
- Никога не използвайте продукта, ако сте уморени, употребили сте алкохол или приемате лекарства, които могат да повлияят върху зрението, прещенката или координацията Ви.
- Никога не използвайте продукта при екстремни атмосферни условия, например много студен, много горещ и/или влажен климат.
- Никога не използвайте продукт, който е неизправен. Извършвайте описаните в това ръководство за експлоатация редовни проверки за безопасност, поддръжка и сервиз. Определени операции по поддръжката и сервиза се извършват единствено от квалифицирани специалисти. Вижте указанията в раздел "Поддръжка".
- Никога не позволявайте на деца да използват продукта.
- Не позволявайте никой друг да използва продукта, без първо да сте се уверили, че е прочел и разбрал съдържанието на инструкцията за експлоатация.
- Дръжте неоторизирани лица на разстояние. Деца, животни, странични наблюдатели и помощници трябва да стоят извън зоната на безопасност от 15 m, докато работите. Спрете незабавно продукта, ако някой се приближи.
- Ако се окажете в ситуация, в която сте неуверени как да постъпите, се посъветвайте със специалист. Свържете се с дистрибутора или със сервиза.
- Избягвайте всяка употреба, за която се чувствате недостатъчно квалифицирани.
- Наблюдавайте околната среда и се уверете, че няма риск за хора или животни да влязат в съприкосновение или да попречат да управлявате продукта.
- Бъдете винаги нащрек за предупредителни сигнали или подвиквания, когато използвате антифони. Винаги сваляйте антифоните незабавно след спиране на двигателя/мотора.
- Не използвайте продукта при лоши атмосферни условия, като например при гъста мъгла, силен дъжд, силен вятър, при много ниски температури и т.н. Работата в лошо време е изморителна и често води със себе си допълнителни рискове, като например заледена повърхност.

- Уверете се, че можете да ходите и да стоите безопасно.



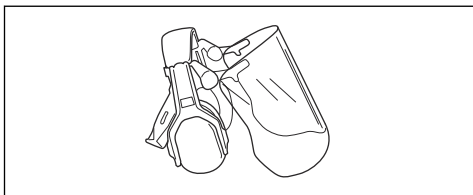
- Преди преместване продуктът трябва да се изключи.
- Не оставяйте продукта без надзор, докато двигателят/моторът работи.
- Винаги дръжте продукта с две ръце. Дръжте продукта от страни на тялото си.
- Уверете се, че ръцете и краката Ви не са твърде близко до четката, когато двигателят/моторът работи.
- След като двигателят/моторът бъде изключен, дръжте ръцете и краката си далеч от четката, докато тя спре напълно.
- Ако възникнат интензивни вибрации, спрете продукта. Ако имате продукт, работещ с бензин, разкачете HT проводника от запалителната свещ. Ако имате продукт, работещ с акумулатор, извадете акумулатора. Уверете се, че продуктът не е повреден. Поправете всяка повреда.

## Лични предпазни средства

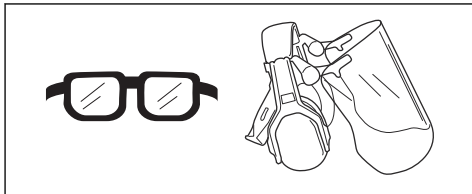


**ПРЕДУПРЕЖДЕНИЕ:** Прочетете следващите предупредителни указания, преди да използвате машината.

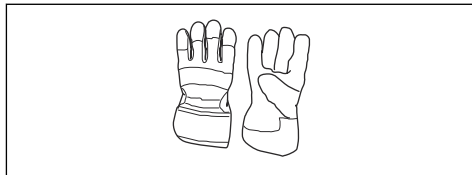
- При работа с продукта винаги използвайте одобрени лични предпазни средства. Личните предпазни средства не изключват изцяло риска от нараняване, но намаляват степента на нараняването при злополука. Нека вашият дилър Ви помогне да изберете подходящото оборудване.
- Използвайте одобрени антифони, осигуряващи подходящо намаляване на шума. Дълготрайното излагане на шум може да доведе до постоянно влошаване на слуха.



- Използвайте одобрени защитни средства за очите. Ако използвате маска, използвайте също и одобрени защитни очила. С одобрени защитни очила се има предвид такива, които отговарят на стандарт ANSI Z87.1 за САЩ или EN 166 за страните от ЕС.



- Когато е необходимо, носете ръкавици, например, когато закрепвате, проверявате или почиствате режещото оборудване.



- Използвайте защитни ботуши със стоманени бомбета и противоплъзгаща подметка.



- Използвайте дрехи, направени от здрава тъкан. Винаги използвайте здрави, дълги панталони и дълги ръкави. Не носете използвайте дрехи, които могат да се захванат за храсти и клони. Не носете бижута, къси панталони, сандали и не работете боси. Носете косата си безопасно над нивото на рамената.
- Дръжте в близост комплект за първа помощ.



## Приспособления за безопасност по приставката



**ПРЕДУПРЕЖДЕНИЕ:** Прочетете следващите предупредителни

инструкции, преди да използвате приставката.

В този раздел се описват функциите за безопасност на приставката, нейното предназначение и как трябва да се извършват проверки и техническо обслужване, за да се гарантира правилната работа. Вижте инструкциите под заглавието *Общ преглед на приставка на страница 12*, за да откриете къде се намират тези части по приставката Ви.

Срокът на експлоатация на приставката може да се намали, а рискът от злополуки да се повиши, ако не се извършва правилно техническо обслужване на приставката и ако сервизът и/или ремонтите не се извършват професионално. Ако Ви е необходима допълнителна информация, обърнете се към сервизния дистрибутор, разположен най-близо до Вас.



**ПРЕДУПРЕЖДЕНИЕ:** Никога не използвайте приставка с дефектни обезопасителни компоненти. Предпазните средства на приставката трябва да бъдат прегледани и технически обслужвани така, както е описано в този раздел. Ако приставката Ви не премине успешно някоя от изброените проверки, свържете се със сервиза си за извършване на ремонт.



**ПРЕДУПРЕЖДЕНИЕ:** Всяко извършване на сервиз и ремонт на продукта изисква специално обучение. Това важи в особена степен за предпазните средства на продукта. Обърнете към Вашия сервиз, ако продуктът не премине успешно изброените по-долу проверки. При покупката на наш продукт ние гарантираме предоставянето на

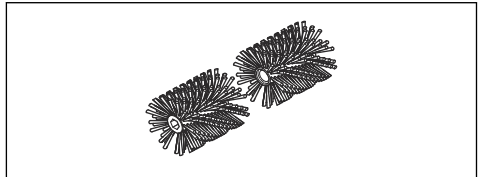
квалифицирани ремонтни услуги и сервиз. Ако мястото, от което сте закупили продукта, не е сервизен дистрибутор, попитайте за адреса на най-близкия сервиз.

## Инструкции за безопасност при техническо обслужване



**ПРЕДУПРЕЖДЕНИЕ:** Винаги спирайте продукта, преди да извършвате техническо обслужване на приставката. Бъдете внимателни; приставката може да продължи да се движи дори и след като газта/захранващият спусък е отпуснат/а. Уверете се, че приставката е спряла напълно. Ако имате продукт, работещ с бензин, разкачете HT проводниците от запалителната свещ. Ако имате продукт, работещ с акумулатор, извадете акумулатора.

- Проверявайте целия продукт, преди да започнете. Заменете повредените части.
- Проверете дали всички предпазители и капацити са с изправна цялост и дали са фиксирани правилно. Проверете всички гайки и винтове.
- Ако имате продукт, работещ с бензин, се уверете, че няма течове на гориво.
- Уверете се, че барабанът с четки не е повреден и няма признаци за пукнатини или други повреди.



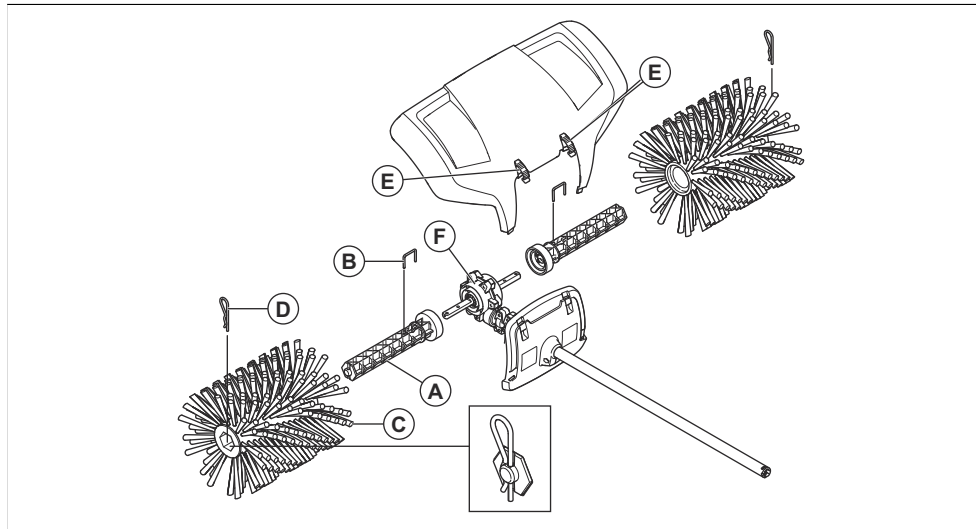


---

## Монтаж

---

### За монтиране на приставката



1. Притиснете едната ос на барабана (А) към една от двете задвижващи оси от корпуса на скоростната кутия (F). Ако е необходимо, завъртете оста на барабана, тъй че отворът за щифта да съвпадне със съответния отвор в задвижващия вал.
2. Закрепете вала на ролката с шплинта (В).
3. Поставете една от ролките с четки (С) на монтирания вал. Натиснете ролката до упор.

4. Закрепете ролката на вала с шплинта (D). Когато монтирате, притискайте леко края навътре.
5. Повторете тези стъпки при монтажа на оста и ролката от другата страна.
6. Закрепете предпазителя с щипките (E).

---

**Забележка:** За монтирането на принадлежности на основния продукт се допитайте до ръководството за основния продукт.

---

---

## Операция

---

### За използване на приставката

1. Работете с продукта на пълна газ/скорост (или почти пълна газ/скорост), като четката е опряна на повърхността.

---

**Забележка:** Уморително и ненужно е да вдигате или да държите четката над земята, когато работите.

---

2. Когато почиствате тесни места, като например пътеки, можете да използвате продукта така, че материалите да се изхвърлят право пред Вас. Ако работите на по-широки площи, работете под ъгъл, тъй че купчините да се образуват от едната страна. Купчините от леки материали могат да се събират на един ред или по-голям куп, за да бъдат изхвърлени по-късно, а твърдите или по-обемисти материали трябва да се събират на повече купчини.



3. За да достигнете в ъглите, отстранете предпазителя срещу разплискване, разхлабете съединението на приспособлението и завъртете последното на половин оборот.



**ПРЕДУПРЕЖДЕНИЕ:** Тогава боклукът ще се изхвърля към вас. При заден ход с продукта използвайте по-ниска скорост и не забравяйте, че може лесно да се спънете.

4. Поддържайте малък работен ъгъл спрямо повърхността. Когато работният ъгъл е много широк, метлата ще тръгне към Вас и рискувате да изгубите управлението над продукта.



## Поддръжка

### Въведение

По-долу са изложени някои общи инструкции за поддръжка. Ако ви е необходима допълнителна информация, се свържете с вашия сервиз.

### За техническо обслужване на принадлежността

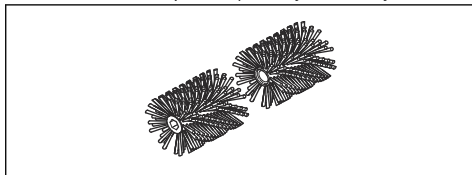


**ВНИМАНИЕ:** Принадлежността работи в мръсни условия. Ако имате продукт, който работи с бензин, е много важно да извършвате редовно техническо обслужване на въздушния филтър. За да работи добре, въздушният филтър трябва да се смазва с масло. Направете справка с ръководството за оператора на хранящия блок за инструкции за техническо обслужване.



**ПРЕДУПРЕЖДЕНИЕ:** Корпусът на скоростната кутия се нагорещява, когато продуктът е в употреба. За да избегнете изгаряния не докосвайте корпуса на предавката.

1. Проверете дали барабаните с четки не се въртят, когато газта/хранящият спусък е отпуснат/а.



2. Проверете дали барабаните с четки не са повредени или пукнати. Ако е необходимо, сменете барабаните с четки.

3. За продължително съхранение, окачвайте четката.

## Транспортиране, съхранение и изхвърляне

### Транспортиране и съхранение

Ако транспортирате оборудването върху друго превозно средство, винаги използвайте одобрени осигуряващи устройства и се уверявайте, че оборудването е надеждно закрепено.

Уверете се, че оборудването е почистено и че преди съхранението за продължителни периоди е извършено пълно сервизно обслужване.

## Технически данни

### Технически данни за продукти, които работят с бензин

|   |              |
|---|--------------|
| <b>Четка</b>  | <b>BR600</b> |
| Ширина на барабан с четки, mm   | 597          |
| Диаметър на барабан с четки, mm   | 270          |
| <b>Тегло</b>  |              |
| Тегло, kg   | 5,3          |
| <b>Шумови емисии <sup>7</sup></b>   |              |
| Ниво на звуковата мощност, измерена dB(A)   | 106          |
| Ниво на звуковата мощност, гарантирана [L <sub>WA</sub> dB(A)]  | 110          |
| <b>Нива на звука <sup>8</sup></b>   |              |
| Еквивалентно ниво на шума при ухото на оператора, измерено по EN ISO 22868, dB (A):                                 | 94           |
| <b>Вибрации <sup>9</sup></b>  |              |
| Еквивалентни нива на вибрации (a <sub>hν,eq</sub> ) при ръкохватките, измерени съгласно ISO 22867, m/s <sup>2</sup> |              |
| Предна/задна ръкохватка   | 3,7/6,2      |

<sup>7</sup> Шумови емисии в околната среда, измерени като звукова мощност (L<sub>WA</sub>) в съответствие с директива на ЕО 2000/14/ЕО. Отчетените нива на шума за машината са измерени с оригиналното режещо оборудване, което дава най-високото ниво. Разликата между гарантираното и измереното ниво на шума е в това, че гарантираното ниво на шума включва също и дисперсията в резултатите от измерването, както и вариациите между различните машини от един и същи модел в съответствие с Директива 2000/14/ЕО.

<sup>8</sup> Отчетените данни за еквивалентното ниво на звуковото налягане за машината имат типична статистическа дисперсия (стандартно отклонение) от 1 dB (A).

<sup>9</sup> Отчетените данни за еквивалентното ниво на вибрациите имат типична статистическа дисперсия (стандартно отклонение) от 1 m/s<sup>2</sup>.

## Технически данни за продукти, които работят с акумулатор

|   |         |
|---|---------|
| <b>325iLK + приставка четка BR600</b>   |         |
| Ширина на барабан с четки, mm   | 597     |
| Диаметър на барабан с четки, mm   | 270     |
| <b>Тегло</b>  |         |
| Тегло, kg   | 2,3+5,3 |
| <b>Шумови емисии</b> <sup>10</sup>  |         |
| Ниво на звуковата мощност, измерена dB(A)   | 90      |
| <b>Нива на звука</b> <sup>11</sup>  |         |
| Ниво на звуковото налягане при ухото на оператора, измерено съгласно ISO 22868, dB (A): | 80      |
| <b>Вибрации</b> <sup>12</sup>   |         |
| Нива на вибрациите в ръкохватките, измерени съгласно EN 62841-1, m/s <sup>2</sup>       |         |
| Оборудван с одобрено приспособление (оригинално), ляво/дясно                            | 3,3/3,1 |

<sup>10</sup> Отчетените данни за ниво на звукова мощност за машината имат типична статистическа дисперсия (стандартно отклонение) от 3 dB (A) и е измерено с оригинално оборудване, което осигурява най-високото ниво.

<sup>11</sup> Отчетените данни за ниво на звуково налягане за машината имат типична статистическа дисперсия (стандартно отклонение) от 3 dB (A) и е измерено с оригинално оборудване, което осигурява най-високото ниво.

<sup>12</sup> Отчетените данни за равнището на вибрации имат типична статистическа дисперсия (стандартно отклонение) от 2 m/s<sup>2</sup>. За сравняване на нивата на вибрациите, акумулаторната батерия и продуктите с вътрешно горене използвайте калкулатора за вибрации. <https://www.husqvarna.com/uk/services-solutions/vibration-calculator/>.

## Декларация за съответствие

### Декларация за съответствие на ЕС

Ние, **Husqvarna AB**, SE-561 82 Huskvarna, Швеция,  
тел.: +46-36-146500, декларираме на своя собствена  
отговорност, че продуктът:

|                      |                                  |
|----------------------|----------------------------------|
| <b>Описание</b>      | Приставка четка                  |
| <b>Марка</b>         | Husqvarna                        |
| <b>Тип/модел</b>     | BR600                            |
| <b>Идентификация</b> | Серийни номера от 2022 и нататък |

отговаря напълно на следните директиви и  
регламенти на ЕС:

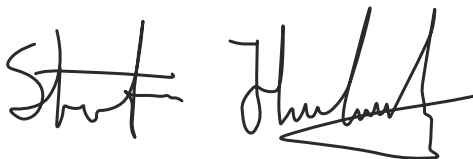
| <b>Директива/регламент</b> | <b>Описание</b>  |
|----------------------------|--|
| 2006/42/ЕО                 | "относно машините"   |
| 2000/14/ЕО                 | "относно шумовите емисии в околната среда"   |
| 2011/65/ЕС                 | "по отношение на ограничението за използване на определени опасни вещества в електрическо и електронно оборудване" |

и че следните стандарти и/или технически  
характеристики са приложени: EN ISO 12100:2010,  
EN IEC 63000:2018

RISE SMP Svenska Maskinprovning AB, Box 7035,  
SE-750 07 Uppsala, Sweden извърши доброволно  
изпитване на типа от името на Husqvarna AB.

Номер на сертификата: SEC/15/2412

Huskvarna, 2022-03-29



Стефан Холмберг, директор по развойна дейност,  
управление на технологиите, Husqvarna AB

Отговорен за техническата документация



## Obsah

|                 |    |                                       |    |
|-----------------|----|---------------------------------------|----|
| Úvod.....       | 22 | Údržba.....                           | 27 |
| Bezpečnost..... | 23 | Přeprava, skladování a likvidace..... | 28 |
| Montáž.....     | 26 | Technické údaje.....                  | 28 |
| Provoz.....     | 27 | Prohlášení o shodě.....               | 30 |

## Úvod

### Popis výrobku

Řídíme se strategií neustálého vývoje výrobku, a proto si vyhrazujeme právo měnit konstrukci a vzhled výrobků bez předchozího upozornění.

**Povšimněte si:** Tento návod pokrývá pohonné jednotky poháněné benzínem i baterií.

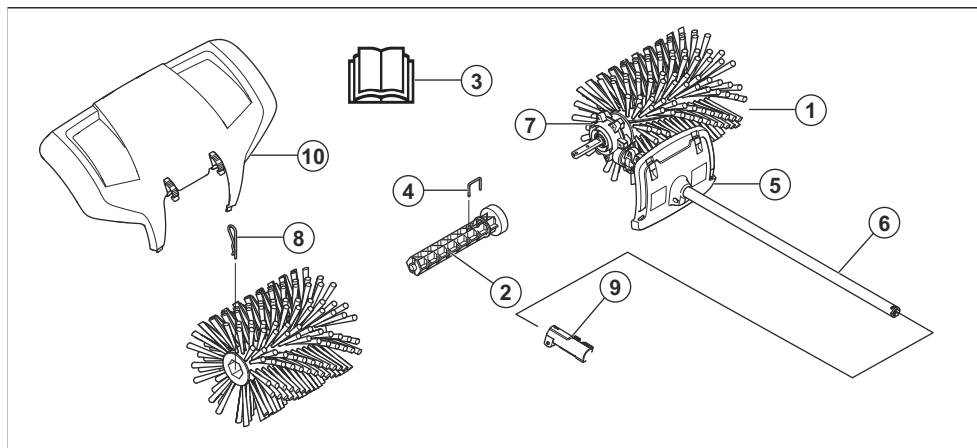
### Zamýšlené použití



**VÝSTRAHA:** Tento nástavec lze používat pouze společně se zamýšleným výrobkem, viz kapitola Příslušenství v návodu k používání výrobku.

Nástavec je určen pouze pro zemetání chodníků, asfaltových cest a podobných povrchů.

### Přehled nástavce



1. Válec kartáče
2. Hřídel válce
3. Návod k použití
4. Pojistný čep
5. Kryt (ochrana na hřídeli)
6. Hřídel
7. Skříň převodovky
8. Závlačka
9. Objímka hřídele (součásti výrobku)
10. Ochranný kryt

### Symbole na nástavci a pohonné jednotce



Nepozorné nebo nesprávné používání nástavce může vést k vážnému nebo smrtelnému zranění uživatele nebo dalších osob.



Pozorně si přečtěte tento návod k používání a předtím, než nástavec začnete používat, se přesvědčte o tom, že pokynům rozumíte.





Vždy používejte schválenou ochranu sluchu. Vždy používejte schválenou ochranu očí. Pokud hrozí nebezpečí vdechování prachu, použijte dýchací masku.



Během používání výrobku udržte minimální vzdálenost 15 metrů od osob a zvířat.



Tento nástavec vyhovuje platným směrnici ES.



Všechny části těla udržte mimo dosah horkých povrchů.



Tento výrobek vyhovuje platným předpisům Spojeného království.



Štítek s emisemi hluku do okolí podle směrnic a předpisů Evropské unie a Spojeného království a nařízení o regulaci hluku v australském Novém Jižním Walesu „Protection of the Environment Operations (Noise Control) Regulation 2017“. Garantovaná hladina akustického výkonu tohoto výrobku je uvedena v části *Technické údaje na straně 28* a na štítku.



Rotující části. Udržte ruce a nohy mimo dosah. Šipka označuje směr otáčení.



Vždy používejte schválené ochranné rukavice.

**Povšimněte si:** Další symboly/štítky na nástavci se týkají zvláštních certifikačních požadavků pro určité obchodní trhy.



Používejte pevnou neklouzavou obuv.



Dávejte pozor na odražené předměty.

Obsluha musí zajistit, aby se v okruhu 15 m nevyskytovaly žádné osoby ani zvířata. Pokud na stejné ploše pracuje několik pracovníků, musí být dodržována bezpečná vzdálenost rozestupů minimálně 15 metrů. Nástavec může velkou silou odmrštit předměty, které se mohou odrazit zpět. Pokud nepoužíváte doporučené ochranné prostředky, může dojít k vážnému poranění očí.



## Bezpečnost

### Definice týkající se bezpečnosti

Varování, upozornění a poznámky slouží jako upozornění na specifické důležité části návodu k používání.



**VAROVÁNÍ:** Používá se v případě nebezpečí poškození výrobku nebo majetku v blízkém okolí, pokud nejsou dodrženy pokyny uvedené v této příručce.



**VÝSTRAHA:** Používá se v případě nebezpečí úrazu nebo usmrcení obsluhy nebo okolních osob, pokud nejsou dodrženy pokyny uvedené v této příručce.

**Povšimněte si:** Používá se k poskytnutí dalších informací, které jsou nezbytné v dané situaci.

## Obecné bezpečnostní pokyny



**VÝSTRAHA:** Před použitím nástavce si přečtěte následující bezpečnostní pokyny.

- Přečtěte si pozorně tento návod k používání a nepoužívejte nástavec, pokud mu zcela nerozumíte.
- Tyto pokyny jsou dodatkem k pokynům dodaným společně s výrobkem. U ostatních postupů se řiďte návodem k použití výrobku.
- Konstrukce nástavce nesmí být za žádných okolností upravována bez svolení výrobce. Nepoužívejte nástavec, pokud se vám zdá, že jej někdo upravil, a vždy používejte originální příslušenství. Nepovolené úpravy a/ nebo příslušenství může vést k vážnému nebo smrtelnému zranění obsluhy nebo jiných osob.

## Přečtěte si všechny pokyny



**VÝSTRAHA:** Abyste snížili riziko úrazu elektrickým proudem, nebezpečí požáru nebo zranění osob, je při používání elektrického zahradního nářadí třeba vždy dodržovat základní bezpečnostní opatření včetně následujících:

## Bezpečnostní pokyny pro provoz



**VÝSTRAHA:** Před použitím výrobku si přečtěte následující varování.

- Při montáži, kontrole nebo údržbě zabraňte neúmyslnému spuštění. Používáte-li výrobek poháněný benzinem, odpojte koncovku kabelu zapalovací svíčky od zapalovací svíčky. Pokud máte výrobek poháněný baterií, vyjměte baterii.
- Do hrotů se může zachytit tráva nebo kameny. Před čištěním vždy vypněte motor.
- Dejte pozor na odmrštěné předměty. Vždy používejte ochranu zraku. Nikdy se nenaklánějte nad válec kartáče. Odlétávající kamení, smetí apod. může zasáhnout zrak a způsobit slepotu nebo jiná vážná poranění.
- Převodovka se může během použití zahřát a může zůstat horká i po vypnutí stroje. Při dotyku je nebezpečí úrazu popálením.
- Při startování držte výrobek pevně.
- Přestože nemají válce kartáče stejnou sílu jako například žací nože sekačky, měli byste se vyhnout práci s materiály, které mohou v případě odmrštění způsobit zranění osob nebo škody na majetku.
- Nikdy npracujte s výrobkem, nemáte-li možnost přivolat pomoc v případě nehody.
- Výrobek používejte pouze k účelu, ke kterému je určen.

- Nikdy nepoužívejte výrobek, jste-li unaveni, jestliže jste požili alkohol nebo jestliže užíváte léky, které by mohly ovlivnit váš zrak, úsudek nebo pohybovou koordinaci.
- Nikdy nepoužívejte výrobek za zvláště nepříznivých povětrnostních podmínek, např. za silného mrazu nebo ve velkém horku anebo vlhku.
- Nikdy nepoužívejte produkt, který není zcela v pořádku. Dodržujte pokyny pro kontroly, údržbu a servis popsané v této příručce. Některé úkony údržby a opravy mohou provádět pouze vyškolení a kvalifikovaní odborníci. Viz pokyny v části Údržba.
- Nedovolte dětem používat výrobek.
- Nedovolte pracovat s produktem nikomu, kdo si předem nepřečetl a neporozuměl obsahu návodu k použití.
- Udržujte neoprávněné osoby v bezpečné vzdálenosti. Děti, zvířata, přihlížející a pomáhající osoby se během práce nesmí pohybovat v okruhu 15 m bezpečnostní zóny. Jestliže se někdo přiblíží, okamžitě vypněte výrobek.
- Dostanete-li se do situace, kdy pocítíte jakoukoliv pochybnost co do práce s vybavením, požádejte o radu odborníka. Spojte se s vaším prodejcem nebo servisem.
- Nepoužívejte vybavení, necítíte-li se dostatečně kvalifikovaní.
- Sledujte své okolí a přesvědčte se, že nehrozí žádné nebezpečí, že by mohly nějaké osoby nebo zvířata přijít do styku s výrobkem nebo ovlivnit vaši kontrolu nad výrobkem.
- Používejte-li ochranu sluchu, vždy je nutné dávat pozor na výstražné signály nebo volání. Ochranu sluchu sejměte vždy ihned po zastavení motoru.
- Nepoužívejte výrobek za špatného počasí, jako např. v hustém mlze, prudkém dešti, silném větru, silném mrazu apod. Práce za špatného počasí je namáhavá a často s sebou přináší rizika, jakým je např. náledí.
- Ujistěte se, že se můžete volně pohybovat a bezpečně stát.



- Před přemístěním musí být výrobek vypnutý.
- Neodkládejte výrobek, který je v chodu, pokud jej nemáte plně pod dohledem.
- K přidržování výrobku vždy používejte obě ruce. Výrobek držte u svého boku.



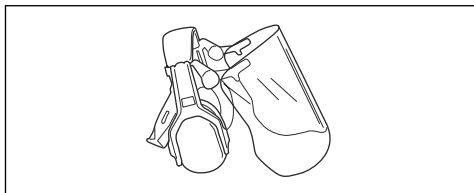
- Vaše ruce ani nohy se nesmí přiblížit ke kartáči, když je motor v chodu.
- Po vypnutí motoru se nepřibližujte rukama ani nohama ke kartáči, dokud se zcela nezastaví.
- Pokud se objeví silné vibrace, zastavte výrobek. Pokud máte výrobek poháněný benzínem, odpojte vysokonapěťový kabel od zapalovací svíčky. Pokud máte výrobek poháněný baterií, vyjměte baterii. Zkontrolujte, zda není výrobek poškozený. Opravte veškerá poškození.

## Osobní ochranné prostředky

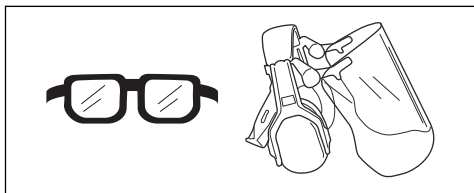


**VÝSTRAHA:** Před použitím výrobku si přečtěte následující varování.

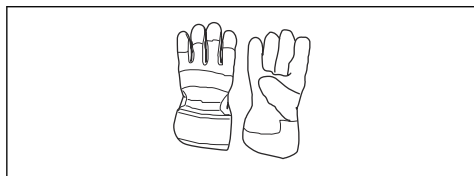
- Při použití výrobku je nutné vždy používat schválené osobní ochranné prostředky. Osobní ochranné prostředky nemohou zcela eliminovat nebezpečí úrazu, ale v případě nehody pomáhají snížit míru poranění. Požádejte prodejce, aby vám pomohl vybrat správné vybavení.
- Použijte schválenou ochranu sluchu s dostatečným tlumícím účinkem. Dlouhodobé vystavování působení hluku může vést k trvalému poškození sluchu.



- Vždy používejte schválenou ochranu očí. Použijete-li štít, je nutno použít i schválené ochranné brýle. Schválené ochranné brýle musí být v souladu s normou ANSI Z87.1 v USA nebo EN 166 v zemích EU.



- Při určitých činnostech používejte rukavice, například při nasazování, prohlídce nebo čištění řezacího zařízení.



- Používejte ochrannou obuv s ocelovou špičkou a protiskluzovými podrážkami.



- Noste oblečení vyrobené z pevné tkaniny. Vždy používejte silné, dlouhé kalhoty a dlouhé rukávy. Nepoužívejte volné oblečení, které se může zachytit o keře nebo větve. Nepoužívejte šperky, krátké kalhoty nebo sandály a nepracujte bosí. Stáhněte si vlasy bezpečně nahoru nad úroveň ramen.
- Mějte při ruce lékárníčku.



## Bezpečnostní zařízení na nástavci



**VÝSTRAHA:** Před použitím nástavce si přečtěte následující varování.

V této části jsou popsány bezpečnostní funkce nástavce, jeho účel a způsob provádění kontroly a údržby k zajištění správného provozu. Umístění těchto součástí na nástavci naleznete v pokynech v části *Přehled nástavce na strani 22*.

Životnost nástavce se může zkracovat a nebezpečí nehod zvyšovat, jestliže se údržba nástavce neprovádí správně nebo se opravy neprovádějí odborně. Pokud potřebujete další informace, obraťte se na nejbližšího servisního prodejce.



**VÝSTRAHA:** Nástavec nikdy nepoužívejte s vadnými bezpečnostními součástmi. Kontrolu a údržbu bezpečnostního vybavení nástavce je nutno provádět podle postupů uvedených v této části. V případě, že by nástavec nevyhověl při jakékoli z těchto kontrol, je nutno vyhledat autorizované servisní středisko a nechat závadu odstranit.



**VÝSTRAHA:** Veškerý servis a opravy produktu vyžadují speciální odborné školení. To se týká především servisu a oprav bezpečnostního vybavení produktu. V případě, že by produkt nevyhověl při některé z níže popsaných kontrol, je

nutno vyhledat servisní opravnu. Každému zákazníkovi, který zakoupí kterýkoli z našich výrobků, zaručujeme dostupnost profesionálních oprav a servisních prací. Pokud prodejce, který vám produkt prodal, neposkytuje servis, požádejte jej o adresu naší nejbližší servisní opravny.

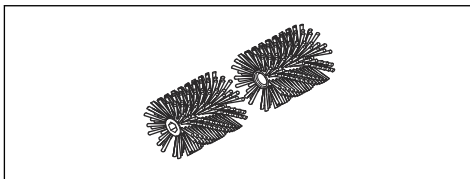
svíčky. Pokud máte výrobek poháněný baterií, vyjměte baterii.

## Bezpečnostní pokyny pro údržbu



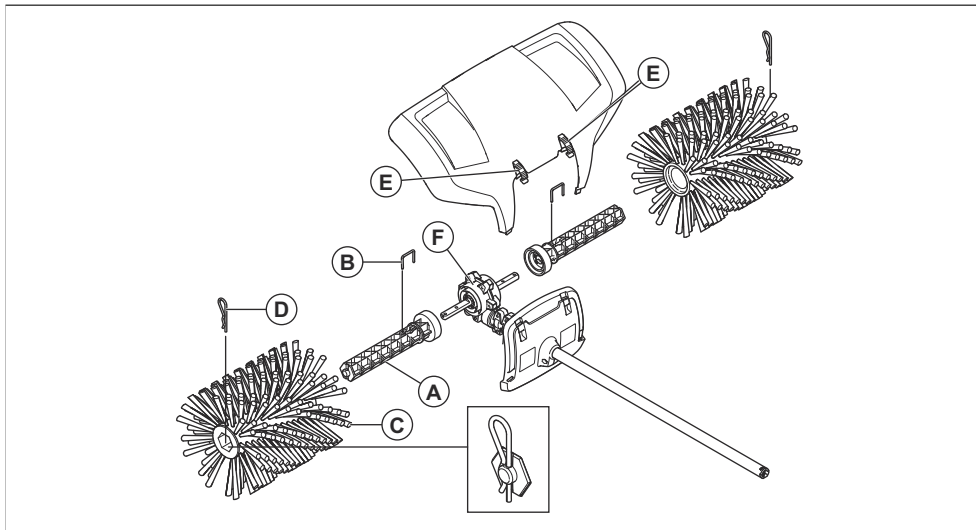
**VÝSTRAHA:** Před zahájením údržby nástavce výrobek vždy vypněte. Buďte opatrní, nástavec se může pohybovat i po uvolnění plynu/páčky spínače. Ujistěte se, že se nástavec zcela zastavil. Pokud máte výrobek poháněný benzínem, odpojte vysokonapěťové kabely od zapalovací

- Než zahájíte práci, zkontrolujte celý výrobek. Poškozené díly vyměňte.
- Zkontrolujte, že jsou všechny kryty na místě a správně připevněny. Zkontrolujte všechny matice a šrouby.
- Pokud máte výrobek poháněný benzínem, ujistěte se, že nedochází k úniku paliva.
- Zkontrolujte, zda nejsou válce kartáče poškozené a zda nevykazují známky popraskání nebo jiného poškození.



## Montáž

### Montáž nástavce



1. Zatlačte jednu hřídel válce (A) na jednu ze dvou výstupních hnacích hřídelí vycházejících ze skříňe převodovky (F). V případě potřeby otočte hřídel válce tak, aby otvor kolíku lícovál s odpovídajícím otvorem v hnací hřídeli.
2. Upevněte hřídel válce pomocí pojistného čepu (B).
3. Nasadte jeden válec kartáče (C) na smontovanou hřídel. Zatlačte válec do krajní polohy.
4. Upevněte válec na hřídeli pomocí pojistné závlačky (D). Při montáži mírně zatlačte konec směrem dovnitř.
5. Opakujte tyto kroky při montáži hřídele a válce na opačné straně.
6. Namontujte lapač nečistot pomocí zacvakávacích úchytlů (E).

**Povšimněte si:** Pokyny pro montáž příslušenství na základní výrobek naleznete v návodu pro základní výrobek.

## Provoz

### Použití nástavce

1. Nechte výrobek běžet na plný plyn (nebo téměř plný plyn) s kartáčem položeným na zemi.

**Povšimněte si:** Je zbytečné a navíc unavující zdvihat nebo držet při práci kartáč nad zemí.

2. Při čištění úzkých ploch, jako jsou chodníky, je možné výrobek použít tak, že materiál bude odhazován přímo před vás. Pokud chcete zametat na širších plochách, měli byste pracovat pod úhlem, aby se pruhy materiálu tvořily na jedné straně. Pruhy z lehkého materiálu lze nahnout do jedné řádky nebo na jednu hromadu a později je odebrat, zatímco hrubší materiál může být nezbytné nahromadit v několika pruzích.



3. Pokud se chcete dostat do rohů, sejměte lapač nečistot, povolte spojku příslušenství a otočte příslušenstvím o půl otáčky.



**VÝSTRAHA:** Smetí pak bude odhozeno směrem k uživateli. Po změně směru otáčení používejte nízké otáčky a mějte na paměti, že můžete snadno zakopnout.

4. Udržujte malý pracovní úhel k povrchu. Příliš velký pracovní úhel může způsobit, že zametač bude mít tendenci pohybovat se směrem k vám a můžete ztratit kontrolu nad výrobkem.



## Údržba

### Úvod

V následujících odstavcích najdete některé pokyny k provádění obecné údržby. Pokud potřebujete další informace, spojte se se servisem.

### Údržba příslušenství



**VAROVÁNÍ:** S příslušenstvím se pracuje ve znečištěném prostředí. Pokud máte výrobek poháněný benzínem, je velmi důležité pravidelně provádět údržbu vzduchového filtru. Vzduchový filtr musí být

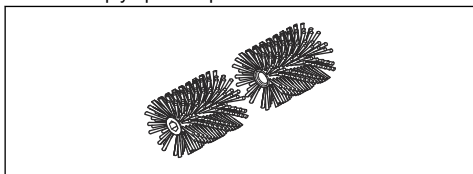
napuštěný olejem, aby fungoval správně. Pokyny k údržbě naleznete v návodu k používání pohonné jednotky.

2. Zkontrolujte, zda nejsou válce kartáče poškozené nebo prasklé. V případě potřeby válce kartáče vyměňte.
3. Pokud má být kartáč dlouhodobě uskladněn, zavěste jej.



**VÝSTRAHA:** Skříň převodovky se za provozu výrobku zahřívá. Skříňové převodovky se nedotýkejte, abyste se nepopálili.

1. Zkontrolujte, že se válce kartáče neotáčejí, když uvolníte plyn/páčku spínače.



## Přeprava, skladování a likvidace

### Přeprava a přechovávání

Pokud přeppravujete nástavec na jiném vozidle, vždy používejte schválené upevňovací prostředky a ujistěte se, že je nástavec řádně zajištěn.

Před odstavením na delší dobu se ujistěte, že je nástavec čistý a je zajištěn kompletním servisem.

## Technické údaje

### Technické údaje pro výrobky poháněné benzínem

| Štětinový kartáč   | BR600 |
|--|-------|
| Šířka válce kartáče, mm  | 597   |
| Průměr válce kartáče, mm   | 270   |
| <b>Hmotnost</b>  |       |
| Hmotnost, kg   | 5,3   |
| <b>Emise hluku<sup>13</sup></b>  |       |
| Hladina akustického výkonu, změřená dB (A)   | 106   |
| Hladina akustického výkonu, zaručená L <sub>WA</sub> dB (A)  | 110   |
| <b>Hladiny hluku<sup>14</sup></b>  |       |
| Ekvivalentní hladina akustického tlaku v úrovni uší obsluhy, měřená podle normy EN ISO 22868, dB(A): | 94    |

<sup>13</sup> Emise hluku v životním prostředí měřené jako akustický výkon (L<sub>WA</sub>) v souladu se směrnicí 2000/14/ES. Uváděná hladina akustického výkonu pro stroj byla měřena s originálním sekacím nástavcem, který generuje nejvyšší hladinu. Rozdíl mezi garantovaným a měřeným akustickým výkonem je v tom, že garantovaný akustický výkon rovněž zahrnuje rozptyl výsledků měření a rozdíly mezi různými stroji téhož modelu podle Směrnice 2000/14/ES.

<sup>14</sup> Uváděná data pro ekvivalentní hladinu akustického tlaku pro stroj mají typickou statistickou odchylku (standardní odchylku) 1 dB (A).

|  |              |
|--|--------------|
| <b>Štětinový kartáč</b>  | <b>BR600</b> |
| <b>Vibrace</b> <sup>15</sup>   |              |
| Ekvivalentní hladiny vibrací ( $a_{hv,eq}$ ) v rukojetích, měřené podle normy ISO 22867, $m/s^2$ : |              |
| Přední/zadní rukojeť   | 3,7/6,2      |

## Technické údaje pro výrobky poháněné baterií

|   |           |
|---|-----------|
| <b>325ILK + nástavec se štětinovým kartáčem BR600</b>                                 |           |
| Šířka válce kartáče, mm   | 597       |
| Průměr válce kartáče, mm  | 270       |
| <b>Hmotnost</b>   |           |
| Hmotnost, kg  | 2,3 + 5,3 |
| <b>Emise hluku</b> <sup>16</sup>  |           |
| Hladina akustického výkonu, změřená dB (A)  | 90        |
| <b>Hladiny hluku</b> <sup>17</sup>  |           |
| Hladina akustického tlaku v úrovni uší obsluhy, změřená podle normy ISO 22868, dB(A): | 80        |
| <b>Vibrace</b> <sup>18</sup>  |           |
| Hladiny vibrací v rukojetích, měřené podle normy EN 62841-1, $m/s^2$                  |           |
| Vybaven schváleným příslušenstvím (originální), levé/pravé                            | 3,3/3,1   |

<sup>15</sup> Uváděná data pro ekvivalentní hladinu vibrací mají typickou statistickou odchylku (standardní odchylku)  $1 m/s^2$ .

<sup>16</sup> Uváděná data pro hladinu akustického tlaku pro stroj mají typickou statistickou odchylku (standardní odchylku) 3 dB (A), která byla měřena s originálním řezacím nástavcem generujícím nejvyšší hladinu.

<sup>17</sup> Uváděná data pro hladinu akustického tlaku pro stroj mají typickou statistickou odchylku (standardní odchylku) 3 dB (A), která byla měřena s originálním řezacím nástavcem generujícím nejvyšší hladinu.

<sup>18</sup> Uváděná data o úrovni vibrací mají typickou statistickou odchylku (standardní odchylku)  $2 m/s^2$ . Pro srovnání hladiny vibrací akumulátorových výrobků a výrobků se spalovacím motorem použijte kalkulačku vibrací: <https://www.husqvarna.com/cz/sluzby-reseni/kalkulacka-vibraci/>.

# Prohlášení o shodě

## Prohlášení o shodě EU

Společnost **Husqvarna AB**, SE-561 82 Huskvarna,  
Švédsko, tel.: +46-36-146500, na svou výhradní  
odpovědnost prohlašuje, že výrobek:

|                     |                                   |
|---------------------|-----------------------------------|
| <b>Popis</b>        | Nástavec se štětinovým kartáčem   |
| <b>Značka</b>       | Husqvarna                         |
| <b>Typ/Model</b>    | BR600                             |
| <b>Identifikace</b> | Výrobní čísla od roku 2022 a dále |

je zcela ve shodě s následujícími směrniciemi a předpisy  
EU:

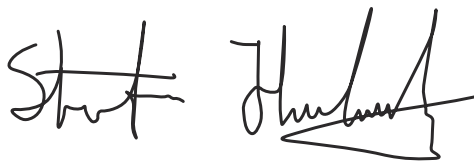
| <b>Směrnice/nařízení</b> | <b>Popis</b>  |
|--------------------------|---|
| 2006/42/ES               | „o strojních zařízeních“  |
| 2000/14/ES               | „týkající se emisí hluku do okolního prostředí“   |
| 2011/65/EU               | „o omezení používání některých nebezpečných látek v elektrických a elektronických zařízeních“ |

a že byly použity následující normy nebo technické  
specifikace: EN ISO 12100:2010, EN IEC 63000:2018

Institut RISE SMP Svenska Maskinprovning AB, Box  
7035, SE-750 07 Uppsala, Sweden provedl jménem  
společnosti Husqvarna AB dobrovolnou typovou  
zkoušku.

Číslo certifikátu: SEC/15/2412

Huskvarna, 2022-03-29



Stefan Holmberg, ředitel výzkumu a vývoje,  
management technologií, Husqvarna AB

Osoba odpovědná za technickou dokumentaci



## Indhold

|                 |    |   |    |
|-----------------|----|---|----|
| Indledning..... | 31 | Vedligeholdelse.....                        | 36 |
| Sikkerhed.....  | 32 | Transport, opbevaring og bortskaffelse..... | 37 |
| Montering.....  | 35 | Tekniske data.....                          | 37 |
| Drift.....      | 36 | Overensstemmelseserklæring.....             | 39 |

## Indledning

### Produktbeskrivelse

Vi forsøger hele tiden at videreudvikle vores produkter og forbeholder os derfor ret til ændringer af bl.a. form og udseende af produkterne uden forudgående varsel.

**Bemærk:** Brugsanvisningen omhandler både benzin- og batteridrevne strømenheder.

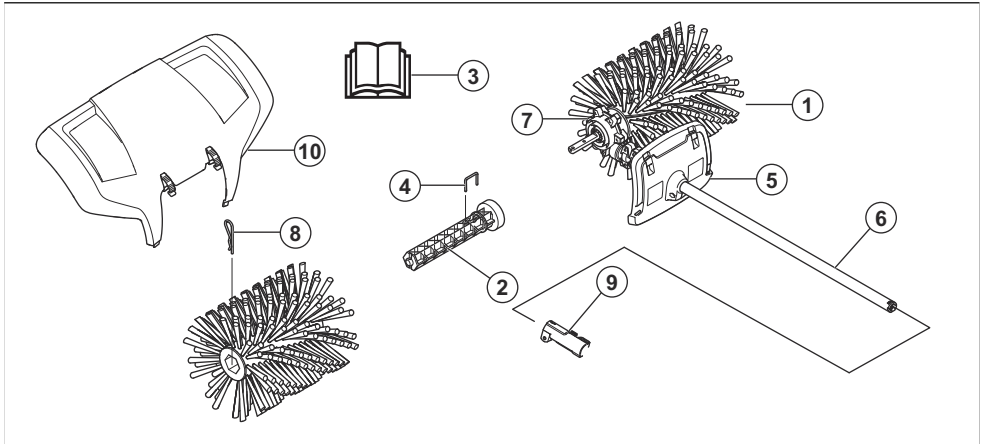
### Anvendelsesformål



**ADVARSEL:** Dette tilbehør må kun bruges sammen med det produkt, det er beregnet til, se kapitlet Tilbehør i brugsanvisningen til produktet.

Tilbehøret er kun beregnet til fejning af stier, asfalterede veje og lignende.

### Oversigt over tilbehør



1. Børstetromle
2. Tromleaksel
3. Brugsanvisning
4. Låsepind
5. Afskærmning (beskyttelse på akslen)
6. Aksel
7. Gearhus
8. Split
9. Akselkobling (følger med produktet)
10. Stænkbeskyttelse

### Symboler på tilbehøret og strømenheden



Skødesløs eller forkert brug af dette produkt kan resultere i alvorlige skader eller medføre døden for brugeren eller andre.



Læs brugervejledningen, og sørg for at have forstået indholdet, inden du bruger udstyret.





Brug godkendt høreværn. Brug godkendte beskyttelsesbriller. Brug åndedrætsværn, når der er risiko for støv.



Dette udstyr er i overensstemmelse med gældende CE-direktiver.



Dette produkt er i overensstemmelse med gældende UK-bestemmelser.



Roterende dele. Hold hænder og fødder på sikker afstand. Pilen angiver rotationsretningen.



Brug altid godkendte beskyttelseshandsker.



Brug skridsikre og stabile støvler.



Pas på udslyngede genstande og rikolettering.



Operatøren skal sikre, at ingen mennesker eller dyr kommer nærmere end 15 meter. Når flere operatører arbejder på samme sted, skal der være en sikkerhedsafstand på mindst 15 meter. Udstyret kan kaste genstande af sted med voldsom kraft, og disse genstande kan slå tilbage. Dette kan medføre alvorlige øjenskader, hvis du ikke anvender det anbefalede beskyttelsesudstyr.



Hold en afstand på mindst 15 m til personer og dyr under brug af produktet.



Hold alle dele af kroppen på sikker afstand af varme overflader.



Mærkat vedrørende emission af støj til omgivelserne i henhold til direktiver og regulativer i EU og Storbritannien og New South Wales' lovgivning om "Beskyttelse af miljøet (støjbegrænsning) forordning 2017". Produktets garanterede lydeffektniveau er angivet i *Tekniske data på side 37* og på mærkaten.

**Bemærk:** Andre symboler/etiketter på skæreudstyret refererer til specifikke krav for certificering på visse markeder.

## Sikkerhed

### Sikkerhedsdefinitioner

Advarsler, forholdsregler og bemærkninger bruges til at pege på særligt vigtige dele af brugsanvisningen.



**ADVARSEL:** Bruges, hvis føreren udsætter sig selv eller omkringstående personer for risiko for personskade eller dødsfald ved tilsidesættelse af instruktionerne i brugsanvisningen.



**BEMÆRK:** Bruges, hvis der er risiko for skader på produktet og/eller tilbehøret, andre materialer eller det omgivende område ved tilsidesættelse af instruktionerne i brugsanvisningen.

**Bemærk:** Bruges til at give yderligere oplysninger, der er nødvendige i en given situation.



## Generelle sikkerhedsinstruktioner



**ADVARSEL:** Læs de medfølgende advarselsinstruktioner, inden du bruger skæreudstyret.

- Læs brugsanvisningen omhyggeligt igennem, og sørg for at have forstået indholdet, inden du bruger produktet.
- Denne vejledning supplerer den vejledning, der var inkluderet med produktet. Oplysninger om andre procedurer fås i betjeningsvejledningen til din plæneklipper.
- Produktets oprindelige udformning må under ingen omstændigheder ændres uden producentens samtykke. Brug ikke et produkt, der ser ud til at være blevet ændret af andre, og brug altid originalt tilbehør. Ikke-autoriserede ændringer og/eller ikke-godkendt tilbehør kan medføre alvorlige skader eller døden for brugeren eller andre.

## Læs alle instruktioner



**ADVARSEL:** Ved brug af elektriske haveredskaber skal de grundlæggende sikkerhedsforanstaltninger følges for at nedsætte risikoen for brand, elektrisk stød og personskader, herunder følgende:

## Sikkerhedsinstruktioner for drift



**ADVARSEL:** Læs følgende advarselsinstruktioner, inden du bruger produktet.

- Sørg for at forhindre utilsigtet start ved samling, kontrol og/eller vedligeholdelse. Hvis du har et benzindrevet produkt, skal du tage tændhætten af tændrøret. Hvis du har et batteridrevet produkt, skal du fjerne batteriet.
- Nogle gange kan græs og sten sidde fast i knivene. Stands altid motoren, mens der renses.
- Pas på udslyngede genstande. Brug altid beskyttelsesbriller. Bøj dig aldrig ind over børstetromlerne. Sten, skidt m.m. kan blive slynget op i øjnene og forårsage blindhed eller alvorlige skader.
- Under og et stykke tid efter anvendelse kan gearet være varmt. Der er derfor risiko for forbrændinger ved kontakt.
- Hold godt fast på produktet, når det startes.
- Selv om børstetromlerne ikke har samme kraft som f.eks. plæneklipperknive, skal du undgå at arbejde med materialer, der kan medføre personskade eller skade på ejendom, hvis de slynges ud.
- Brug aldrig produktet uden mulighed for at kunne tilkalde hjælp i tilfælde af en ulykke.
- Brug kun produktet til det formål, det er beregnet til.

- Brug aldrig produktet, hvis du er træt, hvis du har drukket alkohol, eller hvis du tager medicin, som kan påvirke dit syn, dit overblik eller din kropskontrol.
- Anvend aldrig produktet under ekstreme klimaforhold, såsom streng kulde eller i meget varmt og/eller fugtigt klima.
- Brug aldrig et produkt, som er behæftet med fejl. Følg instruktionerne for sikkerhedskontrol, vedligeholdelse og service i denne brugsanvisning. Visse vedligeholdelses- og serviceforanstaltninger må kun udføres af erfarne og kvalificerede specialister. Se anvisningerne under overskriften Vedligeholdelse.
- Tillad aldrig børn at bruge maskinen.
- Lad aldrig en anden bruge produktet, uden at du har sikret dig, at vedkommende har forstået indholdet i brugervejledningen.
- Hold uautoriserede personer på afstand. Børn, dyr, omkringstående og hjælpere skal under arbejdet holdes uden for sikkerhedszonen på 15 meter. Stands øjeblikkeligt produktet, hvis nogen nærmer sig.
- Når du kommer ud for en situation, som gør dig usikker med hensyn til fortsat brug, skal du spørge en ekspert til råds. Henvend dig til din forhandler eller dit serviceværksted.
- Undgå al brug, som du ikke synes, du er tilstrækkeligt kvalificeret for.
- Hold øje med omgivelserne, og kontrollér, at der ikke er nogen risiko for, at mennesker eller dyr kan komme i kontakt med eller påvirke din kontrol af produktet.
- Vær altid opmærksom på advarselssignaler eller tilråb, når høreværnet bruges. Tag altid høreværnet af, så snart motoren standser.
- Undgå at anvende produktet i dårligt vejr, f.eks. i tæt tåge, kraftig regn, hård vind, kraftig kulde osv. Arbejde i dårligt vejr er trættende og kan ofte skabe farlige situationer, f.eks. på isglat underlag.
- Sørg for, at du kan gå og stå sikkert.



- Under transport skal produktet slukkes.
- Stil aldrig produktet ned på jorden med motoren i drift, uden at du har det under opsyn.
- Brug altid begge hænder til at holde produktet. Hold produktet på siden af kroppen.
- Sørg for, at hænder og fødder ikke kommer i nærheden af børsten, når motoren er i gang.

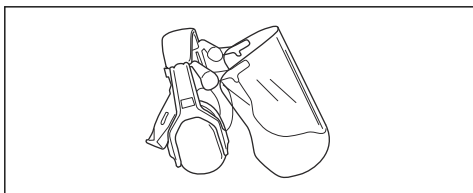
- Når motoren slukkes, skal du holde hænder og fødder væk fra børsten, indtil den er standset helt.
- Hvis kraftige vibrationer forekommer, skal du standse produktet. Hvis du har et benzindrevet produkt, skal du fjerne tændrørskablet fra tændrøret. Hvis du har et batteridrevet produkt, skal du fjerne batteriet. Sørg for, at produktet ikke er beskadiget. Reparér eventuelle skader.

## Personligt beskyttelsesudstyr

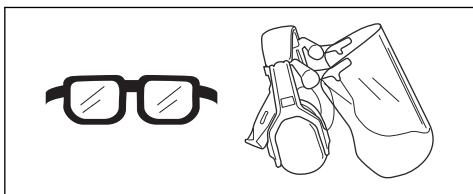


**ADVARSEL:** Læs følgende advarselsinstruktioner, inden du bruger produktet.

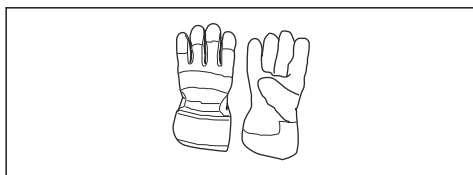
- Brug godkendt personligt beskyttelsesudstyr, når du bruger produktet. Personligt beskyttelsesudstyr udelukker ikke fuldstændigt risikoen for personskader, men det mindsker graden af skaderne i tilfælde af, at der skulle ske en ulykke. Lad forhandleren hjælpe dig med at vælge det rigtige udstyr.
- Brug godkendt høreværn med tilstrækkelig dæmpning. Langvarig eksponering for støj kan medføre permanente høreskader.



- Brug godkendt øjenværn. Hvis du bruger et ansigtsskærm, skal du også bruge godkendte beskyttelsesbriller. Godkendte beskyttelsesbriller skal overholde den amerikanske standard ANSI Z87.1 eller EU-standarden EN 166.



- Brug om nødvendigt beskytteshandsker, f.eks. ved montering, eftersyn og rengøring af skæreudstyret.



- Brug beskyttelsessko med stålsnude og skridsikre såler.



- Brug beklædning, der er lavet af et stærkt materiale. Brug altid kraftige lange bukser og lange ærmer. Brug ikke løstsiddende tøj, som kan sætte sig fast i buske og grene. Undgå smykker, shorts og sandaler, og gå ikke barfodet. Sæt håret op i en sikker højde, dvs. over skulderen.
- Sørg for at have førstehjælpsudstyr ved hånden.



## Sikkerhedsanordninger på skæreudstyret.



**ADVARSEL:** Læs advarselsinstruktionerne, inden du bruger skæreudstyret.

I dette afsnit forklares mere om skæreudstyrets sikkerhedsfunktioner og formål, samt hvordan kontrol og vedligeholdelse skal udføres for at sikre, at det fungerer. Se anvisningerne i afsnittet *Oversigt over tilbehør på side 31* for at se, hvor disse dele sidder på skæreudstyret.

Maskinens levetid kan forkortes, og risikoen for ulykker kan øges, hvis vedligeholdelsen ikke udføres korrekt, og hvis service og/eller reparation ikke udføres fagligt korrekt. Kontakt det nærmeste serviceværksted for at få yderligere oplysninger.



**ADVARSEL:** Brug aldrig skæreudstyr med defekte komponenter. Skæreudstyrets sikkerhedsudstyr skal kontrolleres og vedligeholdes som beskrevet i dette afsnit. Klarer skæreudstyret ikke alle kontrollerne, skal du kontakte et serviceværksted for at få det repareret.



**ADVARSEL:** Al service og reparation af produktet kræver specialuddannelse. Dette gælder især produktets sikkerhedsudstyr. Hvis produktet ikke klarer nogen af de nedennævnte kontroller, skal du kontakte dit serviceværksted. Ved at købe nogle af vores produkter kan du være

sikker på at få en faglig korrekt reparation og service. Hvis produktet er købt et sted, som ikke er en af vores serviceydende forhandlere, skal du spørge dem efter det nærmeste serviceværksted.

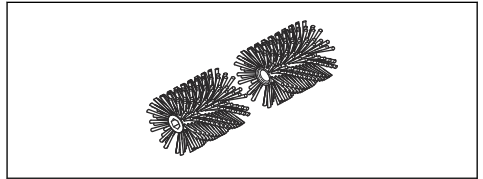
har et batteridrevet produkt, skal du fjerne batteriet.

## Sikkerhedsinstruktioner for vedligeholdelse



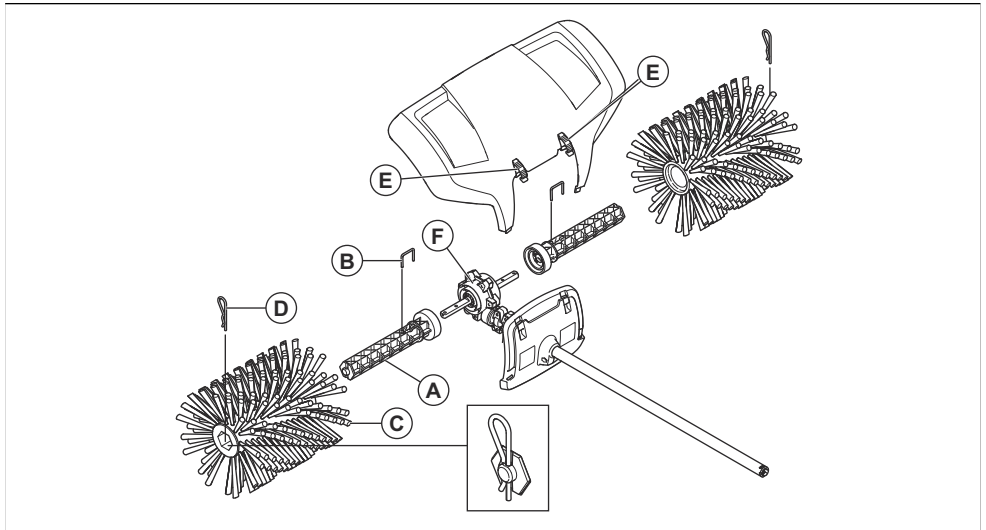
**ADVARSEL:** Stands altid produktet, inden du foretager arbejde på tilbehøret. Vær opmærksom på, at tilbehøret kan fortsætte med at køre, efter at gashåndtaget/strømuløseren slippes. Sørg for, at tilbehøret er standset helt. Hvis du har et benzindrevet produkt, skal du fjerne tændrørskablerne fra tændrøret. Hvis du

- Kontrollér hele produktet, før arbejdet startes. Udskift beskadigede dele.
- Kontrollér, at alle afskærmninger og dæksler er på plads og korrekt fastgjort. Efterse alle møtrikker og skruer.
- Hvis du har et benzindrevet produkt, skal du sørge for, at der ikke forekommer brændstoffækager.
- Kontrollér, at børstetromlerne er intakte og ikke har revner eller andre skader.



## Montering

### Sådan monteres tilbehøret



1. Tryk en af tromleakserne (A) fast på en af de to drivakser, der stikker ud af gearhuset (F). Drej om nødvendigt tromleakslen, så hullet til boltens placeres over det tilsvarende hul i drivakslen.
2. Fastgør rulleakslen med låsestiften (B).
3. Sæt en af børsterullerne (C) på den formonterede aksel. Tryk rullen ind, indtil den stopper.
4. Fastgør rullen på akslen med en hårnålesplit (D). Tryk enden en smule ind under monteringen.
5. Gentag disse trin for at montere akslen og rullen på den modsatte side.
6. Monter stænkskærmen med snåplåsene (E).

**Bemærk:** Ved montering af tilbehør på basismaskine skal du se manualen for basismaskinen.

---

## Drift

---

### Sådan bruges tilbehøret

1. Kør produktet med fuld gas/hastighed (eller næsten fuld gas/hastighed) med børsten hvilende på underlaget.

**Bemærk:** Det er både trættende og unødvendigt at løfte eller holde børsten over jorden under arbejdet.

2. Når du renser smalle flader, som f.eks. stier, kan produktet bruges, så det slynger materialer lige foran dig. Hvis du vil arbejde på bredere flader, kan du eventuelt være nødt til at arbejde skråt, så materialet lægger sig i smalle rækker på den ene side. Smalle rækker af lette materialer kan samles i én række eller bunke til senere afhentning, mens det kan være nødvendigt at opsamle hårde eller mere uhåndterlige materialer i flere omgange.



3. For at komme ind i hjørner fjernes stænkskærmen, løsnes redskabets kobling, og redskabet drejes en halv omgang.



**ADVARSEL:** Affaldet vil så blive slynget tilbage mod brugeren. Sænk hastigheden ved vending af maskinen, og husk, at man let kan falde.

4. Hold en lav arbejdsvinkel i forhold til overfladen. Ved for stejl arbejdsvinkel vil kosten have tendens til at bevæge sig mod dig, og du risikerer at miste kontrollen over produktet.



---

## Vedligeholdelse

---

### Indledning

Nedenfor følger nogle generelle vedligeholdelsesinstruktioner. Hvis du har brug for yderligere oplysninger, kan du kontakte serviceværkstedet.

### Sådan vedligeholdes tilbehøret



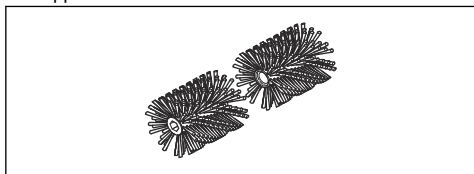
**BEMÆRK:** Tilbehøret fungerer under snavsede forhold. Hvis du har et benzindrevet produkt, er det meget vigtigt at udføre vedligeholdelse af luftfilteret regelmæssigt. Luftfilteret skal smøres med olie for at virke korrekt. Se

brugsanvisningen til strømenheden for vedligeholdelsesinstruktioner.



**ADVARSEL:** Efter arbejde med produktet bliver gearhuset varmt. Rør ikke ved gearkassen for at undgå forbrændinger.

1. Kontrollér, at børstetromlerne holder op med at bevæge sig, når gashåndtaget/strømuløseren slippes.



2. Kontrollér, at børstetromlerne er intakte og fri for revner. Udskift børstetromlerne om nødvendigt.
3. Hæng børsten op, når den skal opbevares i længere tid.

## Transport, opbevaring og bortskaffelse

### Transport og opbevaring

Hvis skæreudstyret transporteres på et andet køretøj, skal du altid bruge godkendte fastgørelsesdele og sørge for, at skæreudstyret er sikkert fastgjort.

Sørg for, at skæreudstyret er ordentligt rengjort, og at der er udført fuldstændig service, inden langtidsopbevaring.

## Tekniske data

### Tekniske data for benzindrevne produkter

| Børste   | BR600 |
|--|-------|
| Børstetromlens bredde, mm  | 597   |
| Børstetromlens diameter, mm  | 270   |
| <b>Vægt</b>  |       |
| Vægt, kg   | 5,3   |
| <b>Støjemissioner</b> <sup>19</sup>  |       |
| Lydeffektniveau, målt dB (A)   | 106   |
| Lydeffektniveau, garanteret L <sub>WA</sub> dB (A)                                   | 110   |
| <b>Lydniveauer</b> <sup>20</sup>   |       |
| Ækvivalent lydtryksniveau ved brugerens ører målt i henhold til EN ISO 22868, dB(A): | 94    |

<sup>19</sup> Emission af støj til omgivelserne målt som lydeffekt (L<sub>WA</sub>) i henhold til EF-direktiv 2000/14/EF. Rapporteret lydeffektniveau for maskinen er målt med det originale skæreudstyr, der giver det højeste niveau. Forskellen mellem garanteret og målt lydeffekt er, at den garanterede lydeffekt også omfatter spredning i måleresultatet og variationerne mellem forskellige maskiner af samme model i henhold til direktivet 2000/14/EF.

<sup>20</sup> Rapporterede data for ækvivalent lydtryksniveau for maskinen har en typisk statistisk spredning (standardafvigelse) på 1 dB(A).

|  |              |
|--|--------------|
| <b>Børste</b>  | <b>BR600</b> |
| <b>Vibrationer</b> <sup>21</sup>   |              |
| Ækvivalente vibrationsniveauer ( $a_{hv,eq}$ ) i håndtag målt i henhold til ISO 22867, $m/s^2$ |              |
| Forreste/bageste håndtag   | 3,7/6,2      |

## Tekniske data for batteridrevne produkter

|  |         |
|--|---------|
| <b>325iLK + Børsteudstyr BR600</b>                                     |         |
| Børstetromlens bredde, mm  | 597     |
| Børstetromlens diameter, mm  | 270     |
| <b>Vægt</b>  |         |
| Vægt, kg   | 2,3+5,3 |
| <b>Støjmissioner</b> <sup>22</sup>                                     |         |
| Lydeffektniveau, målt dB (A)   | 90      |
| <b>Lydniveauer</b> <sup>23</sup>                                       |         |
| Lydtryksniveau ved brugerens ører målt i henhold til ISO 22868, dB(A): | 80      |
| <b>Vibrationer</b> <sup>24</sup>                                       |         |
| Vibrationsniveauer i håndtag målt i henhold til EN 62841-1, $m/s^2$    |         |
| Udstyret med godkendt tilbehør (original), venstre/højre               | 3,3/3,1 |

<sup>21</sup> Rapporterede data for ækvivalent vibrationsniveau har en typisk statistisk spredning (standardafvigelse) på 1  $m/s^2$ .

<sup>22</sup> Rapporterede data for maskinens støjniveau har en typisk statistisk spredning (standardafvigelse) på 3 dB (A) og er blevet målt med det originale udstyr, der giver det højeste niveau.

<sup>23</sup> Rapporterede data for maskinens lydtryksniveau har en typisk statistisk spredning (standardafvigelse) på 3 dB (A) og er blevet målt med det originale udstyr, der giver det højeste niveau.

<sup>24</sup> Rapporterede data for vibrationsniveau har en typisk statistisk spredning (standardafvigelse) på 2  $m/s^2$ . Til sammenligning af vibrationsniveauer mellem batteri- og benzindrevne produkter skal du anvende vibrationsberegneren. <https://www.husqvarna.com/uk/services-solutions/vibration-calculator/>.

# Overensstemmelseserklæring

## EU-overensstemmelseserklæring

Vi, **Husqvarna AB**, SE-561 82 Huskvarna, Sverige,  
tlf.: +46-36-146500 erklærer under eneansvar, at det  
pågældende produkt:

|                       |                                    |
|-----------------------|------------------------------------|
| <b>Beskrivelse</b>    | Børstetilbehør                     |
| <b>Varemærke</b>      | Husqvarna                          |
| <b>Type / model</b>   | BR600                              |
| <b>Identifikation</b> | Serienumrene fra 2022 og fremefter |

overholder følgende EU-direktiver og bestemmelser:

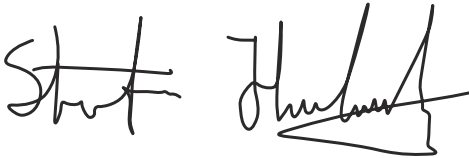
| <b>Direktiv/bestemmelse</b> | <b>Beskrivelse</b>   |
|-----------------------------|--|
| 2006/42/EF                  | "vedrørende maskiner"  |
| 2000/14/EF                  | "vedrørende støjemissioner til omgivelserne"   |
| 2011/65/EU                  | "om begrænsning af anvendelsen af visse farlige stoffer i elektrisk og elektronisk udstyr" |

og at følgende standarder og/eller tekniske  
specifikationer anvendes: EN ISO 12100:2010, EN IEC  
63000:2018

RISE SMP Svenska Maskinprovning AB, Box 7035,  
SE-750 07 Uppsala, Sweden, har foretaget frivillig  
typegodkendelse for Husqvarna AB.

Certifikatnummer: SEC/15/2412

Huskvarna, 2022-03-29



Stefan Holmberg, R&D Director, Technology  
Management, Husqvarna AB

Ansvarlig for teknisk dokumentation



## Inhalt

|                 |    |   |    |
|-----------------|----|---|----|
| Einleitung..... | 40 | Wartung.....                            | 46 |
| Sicherheit..... | 41 | Transport, Lagerung und Entsorgung..... | 47 |
| Montage.....    | 45 | Technische Angaben.....                 | 47 |
| Betrieb.....    | 45 | Konformitätserklärung.....              | 49 |

## Einleitung

### Produktbeschreibung

Wir arbeiten ständig an der Weiterentwicklung unserer Geräte und behalten uns daher das Recht auf Änderungen ohne vorherige Ankündigung, z. B. von Form und Aussehen, vor.

**Hinweis:** Dieses Handbuch bezieht sich sowohl auf benzin- als auch auf akkubetriebene Antriebsaggregate.

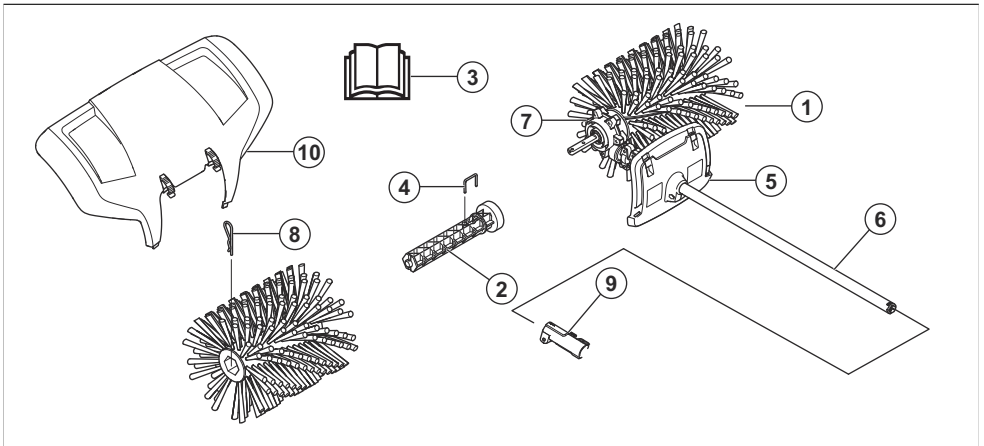
### Verwendungszweck



**WARNUNG:** Dieses Anbaugerät darf nur zusammen mit dem vorgesehenen Gerät verwendet werden. Siehe Kapitel „Anbaugeräte“ der Bedienungsanleitung des Geräts.

Das Anbaugerät ist nur für das Säubern von Gehwegen, asphaltierten Straßen u. Ä. konstruiert.

### Übersicht über das Anbaugerät



1. Bürstentrommel
2. Trommelachse
3. Bedienungsanleitung
4. Sperrstift
5. Schutz (Schutz am Führungsrohr)
6. Führungsrohr
7. Getriebegehäuse
8. Spannstift
9. Führungsrohrkupplung (im Lieferumfang enthalten)
10. Spritzschutz

### Symbole auf dem Anbaugerät und dem Antriebsaggregat



Durch unsachgemäße oder nachlässige Handhabung dieses Anbaugeräts können schwere Verletzungen oder sogar tödliche Unfälle von Anwendern oder anderen Personen verursacht werden.





Lesen Sie die Bedienungsanleitung aufmerksam durch, und machen Sie sich mit den Anweisungen vertraut, bevor Sie das Anbaugerät verwenden.



Tragen Sie einen zugelassenen Gehörschutz. Tragen Sie einen zugelassenen Augenschutz. Verwenden Sie bei Staubgefahr eine Atemschutzmaske.



Dieses Anbaugerät stimmt mit den geltenden CE-Richtlinien überein.



Dieses Gerät entspricht den geltenden UK-Richtlinien.



Rotierende Teile. Halten Sie Hände und Füße von der Gefahrenzone fern. Der Pfeil gibt die Rotationsrichtung an.



Tragen Sie stets zugelassene Schutzhandschuhe.



Tragen Sie rutschfeste und stabile Stiefel.



Achten Sie auf hochgeschleuderte und abfallende Gegenstände.



Der Bediener muss darauf achten, dass sich Personen oder Tiere bis auf höchstens 15 m nähern. Wenn mehrere Bediener am selben Einsatzort arbeiten, muss ein Sicherheitsabstand von mindestens 15 m eingehalten werden. Das Anbaugerät kann Gegenstände mit großer Kraft herausschleudern, die zurückprallen können. Dies kann zu schweren Augenverletzungen führen, wenn die empfohlene Schutzausrüstung nicht getragen wird.



Halten Sie während des Betriebs des Gerätes einen Mindestabstand von 15 m (50 ft) zu Personen oder Tieren ein.



Halten Sie alle Körperteile von heißen Oberflächen fern.



Etikett mit Geräuschemissionen gemäß EU- und UK-Richtlinien und Verordnungen sowie der australischen „Protection of the Environment Operations (Noise Control) Regulation 2017“ (Umweltschutz-/Lärmschutzbestimmung) von New South Wales. Der garantierte Schallleistungspegel des Geräts ist unter *Technische Angaben auf Seite 47* und auf dem Etikett angegeben.

**Hinweis:** Sonstige Symbole/Aufkleber auf dem Anbaugerät beziehen sich auf spezielle Zertifizierungsanforderungen, die in bestimmten Ländern gelten.

## Sicherheit

### Sicherheitsdefinitionen

Warnungen, Vorsichtsmaßnahmen und Hinweise werden verwendet, um auf besonders wichtige Teile der Bedienungsanleitung hinzuweisen.



**WARNUNG:** Wird verwendet, wenn bei Nichtbeachtung der Anweisungen in diesem Handbuch die Gefahr von Verletzung oder Tod des Bedieners oder anderer Personen besteht.



**ACHTUNG:** Wird verwendet, wenn bei Nichtbeachtung der Anweisungen in diesem Handbuch die Gefahr von Schäden

am Produkt und/oder am Anbaugerät, an anderen Materialien oder in der Umgebung besteht.

**Hinweis:** Für weitere Informationen, die in bestimmten Situationen nötig sind.

### Allgemeine Sicherheitshinweise



**WARNUNG:** Lesen Sie die folgenden Sicherheitshinweise, bevor Sie das Anbaugerät benutzen.

- Lesen Sie die Betriebsanleitung sorgfältig durch und machen Sie sich mit dem Inhalt vertraut, bevor Sie das Anbaugerät benutzen.
- Diese Anweisungen ergänzen die Anweisungen, die im Lieferumfang des Geräts enthalten waren. Weitere Verfahren finden Sie in der Bedienungsanleitung des Geräts.
- Unter keinen Umständen darf die ursprüngliche Konstruktion des Anbaugerätes ohne Genehmigung des Herstellers geändert werden. Verwenden Sie keine Anbaugeräte, die modifiziert wurden, und verwenden Sie immer Originalzubehör. Unzulässige Änderungen und/oder unzulässiges Zubehör können zu schweren oder sogar tödlichen Verletzungen des Anwenders oder anderer Personen führen.
- Sie dürfen das Gerät niemals benutzen, wenn nicht die Möglichkeit besteht, im Falle eines Unfalls Hilfe herbeizurufen.
- Benutzen Sie das Gerät nur für solche Arbeiten, für die es vorgesehen ist.
- Arbeiten Sie niemals mit dem Gerät, wenn Sie müde sind, Alkohol getrunken oder Medikamente eingenommen haben, da hierdurch Sehkraft, Urteilsvermögen oder Körperkontrolle beeinträchtigt werden können.
- Benutzen Sie das Gerät niemals bei extremen Klimaverhältnissen wie strenger Kälte oder sehr heißem und/oder feuchten Klima.
- Arbeiten Sie niemals mit einem defekten Gerät. Befolgen Sie die Kontroll-, Wartungs- und Serviceanweisungen in dieser Betriebsanleitung. Gewisse Wartungs- und Servicemaßnahmen sind von geschulten, qualifizierten Fachleuten auszuführen. Siehe Anweisungen unter dem Titel **Wartung**.
- Gestatten Sie auf keinen Fall Kindern, das Gerät zu benutzen.
- Lassen Sie niemals jemand anderen das Produkt benutzen, ohne sich zu vergewissern, dass die Person den Inhalt der Bedienungsanleitung gelesen und verstanden hat.
- Halten Sie unbefugte Personen fern. Kinder, Tiere, Zuschauer und Helfer sollten sich außerhalb einer Sicherheitszone von 15 m befinden, während Sie mit dem Gerät arbeiten. Stellen Sie das Gerät sofort ab, wenn sich Personen oder Tiere nähern.
- Wenn Sie in eine Situation kommen, die Sie in Bezug auf die weitere Anwendung des Geräts verunsichert, lassen Sie sich von einem Experten beraten. Wenden Sie sich an Ihren Fachhändler oder Ihre Servicewerkstatt.
- Vermeiden Sie, Arbeiten auszuführen, denen Sie sich nicht gewachsen fühlen.
- Achten Sie bei der Arbeit auf die Umgebung achten und stellen Sie sicher, dass weder Menschen noch Tiere mit der Schneid-ausrüstung in Berührung kommen können oder Ihre Kontrolle über das Gerät beeinträchtigen.
- Achten Sie immer genau auf Warnsignale oder Rufe, wenn Sie den Gehörschutz tragen. Nehmen Sie den Gehörschutz immer ab, sobald der Motor abgestellt ist.
- Benutzen Sie das Gerät nicht bei schlechtem Wetter, z. B. bei dichtem Nebel, starkem Regen oder Wind, großer Kälte usw. Bei schlechtem Wetter ist das Arbeiten nicht nur ermüdend, es können außerdem gefährliche Arbeitsbedingungen wie z. B. glatter, vereister Boden entstehen.

## Lesen Sie alle Anweisungen



**WARNUNG:** Beim Gebrauch von elektrischen Gartengeräten müssen immer einige grundlegende Sicherheitsvorschriften beachtet werden, um die Gefahr eines Brandes, vor elektrischen Schlägen und Verletzungen auszuschließen. Die Sicherheitsvorschriften umfassen folgende Vorschriften:

## Sicherheitshinweise für den Betrieb



**WARNUNG:** Lesen Sie die folgenden Warnhinweise, bevor Sie das Gerät benutzen.

- Achten Sie darauf, dass das Gerät bei Montage, Prüfung und/oder Wartung nicht unbeabsichtigt gestartet wird. Wenn Ihr Gerät mit Benzin betrieben wird, entfernen Sie die Zündkappe von der Zündkerze. Wenn Ihr Gerät mit einem Akku betrieben wird, nehmen Sie den Akku raus.
- Manchmal können sich Gras und Steine in den Zinken verfangen. Schalten Sie in diesem Fall zum Reinigen den Motor ab.
- Achten Sie auf hochgeschleuderte Gegenstände. Tragen Sie immer einen Augenschutz. Beugen Sie sich nie über die Bürstentrommel. Hochgeschleuderte Steine, Unrat usw. können die Augen treffen und Blindheit oder schwere Verletzungen verursachen.
- Das Getriebe kann während des Betriebs heiß laufen und kühlt nur langsam ab. Beim Berühren besteht Verbrennungsgefahr.
- Halten Sie das Gerät beim Starten sicher fest.
- Obwohl die Bürstentrommeln nicht die gleiche Stärke haben wie zum Beispiel die Klingen eines Rasenmähers, sollten Sie es vermeiden mit Material zu arbeiten, das Verletzungen oder Sachschäden verursachen kann, wenn es weggeschleudert wird.

- Stellen Sie sicher, dass Sie sicher gehen und stehen können.



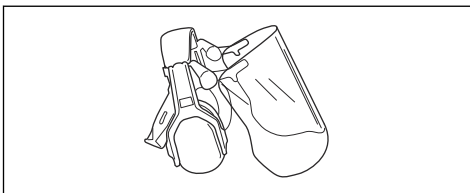
- Das Gerät muss abgeschaltet sein, bevor Sie sich damit bewegen.
- Stellen Sie das Gerät nicht unbeaufsichtigt mit laufendem Motor ab.
- Halten Sie das Gerät immer mit beiden Händen. Halten Sie das Gerät an der Seite des Körpers.
- Achten Sie darauf, dass Hände und Füße nicht an die Bürste gelangen, wenn der Motor läuft.
- Halten Sie Hände und Füße nach dem Abstellen des Motors von der Bürste fern, bis diese zum vollständigen Stillstand gekommen ist.
- Schalten Sie das Gerät bei starken Vibrationen ab. Wenn Ihr Gerät mit Benzin betrieben wird, ziehen Sie das Zündkerzenkabel von der Zündkerze ab. Wenn Ihr Gerät mit einem Akku betrieben wird, nehmen Sie den Akku raus. Vergewissern Sie sich, dass das Gerät nicht beschädigt ist. Reparieren Sie eventuelle Schäden.

## Persönliche Schutzausrüstung

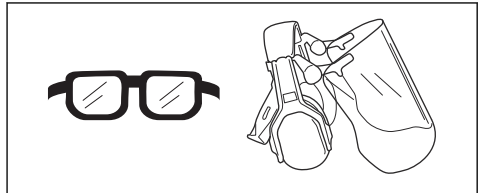


**WARNUNG:** Lesen Sie die folgenden Warnhinweise, bevor Sie das Gerät benutzen.

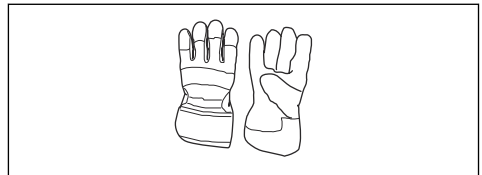
- Verwenden Sie stets die vorgeschriebene persönliche Schutzausrüstung bei der Benutzung des Geräts. Durch Tragen persönlicher Schutzausrüstung können Verletzungen nicht vollständig ausgeschlossen werden, aber im Ernstfall kann so die Verletzungsschwere reduziert werden. Lassen Sie sich von Ihrem Händler bei der Auswahl der richtigen Ausrüstung unterstützen.
- Tragen Sie einen Gehörschutz mit ausreichender Dämmwirkung. Eine längerfristige Beschallung mit Lärm kann zu bleibenden Gehörschäden führen.



- Tragen Sie einen zugelassenen Augenschutz. Bei der Benutzung eines Visiers ist auch eine zugelassene Schutzbrille zu tragen. Zugelassene Schutzbrillen sind in diesem Falle diejenigen, die die Normen ANSI Z87.1 für die USA bzw. EN 166 für EU-Länder erfüllen.



- Tragen Sie bei Bedarf Schutzhandschuhe, beispielsweise bei der Montage, der Untersuchung oder der Reinigung der Schneidausrüstung.



- Tragen Sie Schutzstiefel mit Stahlkappen und rutschfesten Sohlen.



- Tragen Sie Kleidung aus reißfestem Material. Tragen Sie stets lange Hosen aus schwerem Stoff und lange Ärmel. Tragen Sie keine weite Kleidung, die sich leicht an Ästen und Zweigen verfangen könnte. Vermeiden Sie das Tragen von Schmuck, kurzen Hosen und Sandalen. Gehen Sie nicht barfuß. Binden Sie Ihre Haare sicherheitshalber zusammen, sodass sie nicht über Ihre Schultern fallen.
- Halten Sie eine Erste-Hilfe-Ausrüstung und einen Feuerlöscher griffbereit.



## Sicherheitsvorrichtungen am Anbaugerät



**WARNUNG:** Lesen Sie die folgenden Warnhinweise, bevor Sie das Anbaugerät benutzen.

In diesem Abschnitt werden die Sicherheitsfunktionen des Anbaugeräts, ihr Zweck sowie die Kontrollen und Wartungsarbeiten beschrieben, die ausgeführt werden müssen, um die Funktionsfähigkeit des Geräts sicherzustellen. Die Einbaulage dieser Komponenten ist unter der Überschrift *Übersicht über das Anbaugerät auf Seite 40* gelistet.

Die Lebensdauer des Geräts kann verkürzt werden und die Unfallgefahr kann steigen, wenn die Wartung des Anbaugeräts nicht ordnungsgemäß und Service und/oder Reparaturen nicht fachmännisch ausgeführt werden. Wenden Sie sich für weitere Informationen an Ihre Vertragswerkstatt.



**WARNUNG:** Benutzen Sie kein Anbaugerät mit defekten Sicherheitsvorrichtungen. Die Sicherheitsausrüstung des Anbaugeräts muss so überprüft und gewartet werden, wie dies in diesem Abschnitt beschrieben wird. Wenn Ihr Anbaugerät diesen Anforderungen nicht entspricht, muss eine Servicewerkstatt aufgesucht werden.



**WARNUNG:** Service und Reparatur des Geräts erfordern eine Spezialausbildung. Dies gilt besonders für die Sicherheitsausrüstung des Geräts. Wenn Ihr Gerät den unten aufgeführten Kontrollanforderungen nicht entspricht, müssen Sie Ihre Servicewerkstatt aufsuchen. Beim Kauf eines unserer Geräte wird gewährleistet, dass Reparatur- oder

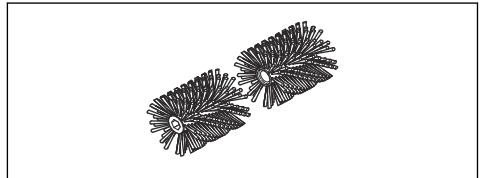
Servicearbeiten fachmännisch ausgeführt werden. Sollte der Verkäufer Ihres Geräts nicht an unser Fachhändler-Service-Netz angeschlossen sein, fragen Sie nach unserer nächstgelegenen Servicewerkstatt.

## Sicherheitshinweise für die Wartung



**WARNUNG:** Schalten Sie das Gerät vor der Durchführung von Wartungsarbeiten am Anbaugerät stets ab. Achtung! Das Anbaugerät kann nach dem Loslassen des Gashebels noch weiterlaufen. Vergewissern Sie sich, dass das Anbaugerät vollständig zum Stillstand gekommen ist. Wenn Ihr Gerät mit Benzin betrieben wird, ziehen Sie die Zündkerzenkabel von der Zündkerze ab. Wenn Ihr Gerät mit einem Akku betrieben wird, nehmen Sie den Akku raus.

- Kontrollieren Sie sorgfältig das Gerät, bevor Sie mit der Arbeit beginnen. Ersetzen Sie die beschädigten Teile.
- Stellen Sie sicher, dass alle Schutzvorrichtungen und Abdeckungen vollständig und korrekt angebracht sind. Überprüfen Sie alle Muttern und Schrauben.
- Wenn Ihr Gerät mit Benzin betrieben wird, stellen Sie sicher, dass kein Kraftstoff ausläuft.
- Prüfen Sie die Bürstentrommeln auf Risse oder sonstige Beschädigungen.

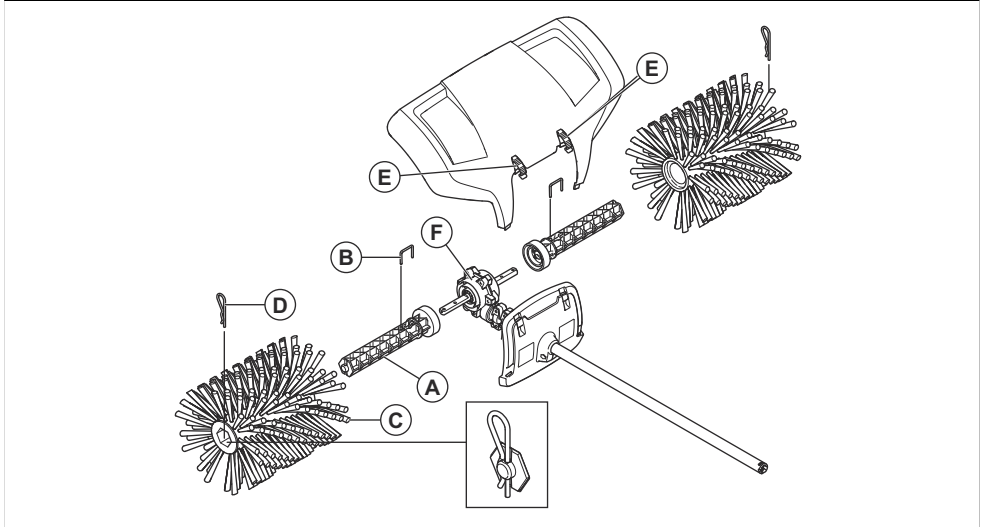


---

## Montage

---

### So montieren Sie das Anbaugerät



1. Drücken Sie eine der Trommelachsen (A) auf eine der beiden aus dem Getriebegehäuse (F) herausragenden Antriebswellen. Drehen Sie bei Bedarf die Trommelachse, sodass das die Stiftbohrung über die entsprechende Bohrung in der Antriebswelle reicht.
2. Befestigen Sie die Rollenwelle mit dem Sperrstift (B).
3. Setzen Sie eine der Bürstenrollen (C) auf die bereits montierte Welle. Drücken Sie die Rolle hinein, bis sie zum Stillstand kommt.
4. Befestigen Sie die Rolle mit einem Splint (D) an der Welle. Drücken Sie das Ende bei der Montage leicht hinein.
5. Wiederholen Sie diese Schritte, um die Achse und die Trommel auf der gegenüberliegenden Seite zu montieren.
6. Montieren Sie den Spritzschutz mit den Schnappbefestigungen (E).

---

**Hinweis:** Zur Montage von Zubehör am Basisgerät lesen Sie die Betriebsanleitung des Basisgeräts.

---

---

## Betrieb

---

### So verwenden Sie das Anbaugerät

1. Betreiben Sie das Gerät mit Vollgas/  
Maximalgeschwindigkeit (oder nahezu Vollgas/  
Maximalgeschwindigkeit), während die Bürste die Oberfläche berührt.

---

**Hinweis:** Es ist sowohl ermüdend als auch unnötig, die Bürste während der Arbeit anzuheben oder hochzuhalten.

---

2. Wenn Sie schmale Oberflächen wie z. B. Wege befreien, kann das Gerät so eingesetzt werden, dass es das Material genau vor Sie wirft. Wenn Sie breitere Oberflächen bearbeiten, ist es möglicherweise vorteilhafter in einem Winkel zu arbeiten, sodass das Material an einer Seite angehäuft wird. Ansammlungen von leichtem Material können in einer Reihe oder auf einem Haufen angesammelt werden und später entfernt werden, während hartes oder sperriges Material möglicherweise in verschiedenen Haufen angesammelt werden muss.



3. Um in Ecken zu gelangen, entfernen Sie den Spritzschutz, lösen Sie die Zubehörcupplung und drehen das Zubehör um eine halbe Drehung.



**WARNUNG:** Der Unrat wird dann in Richtung Benutzer zurückgeworfen. Verwenden Sie eine geringere Geschwindigkeit, wenn Sie das Gerät umdrehen, und denken Sie daran, dass Sie leicht ins Stolpern geraten können.

4. Halten Sie den Arbeitswinkel zur Oberfläche stets klein. Ein zu großer Arbeitswinkel führt dazu, dass die Kehmaschine sich eher in Ihre Richtung bewegt, und Sie riskieren, die Kontrolle über das Gerät zu verlieren.



## Wartung

### Einleitung

Nachstehend folgen einige allgemeine Wartungsanweisungen. Sollten Sie weitere Informationen brauchen, wenden Sie sich bitte an Ihre Servicewerkstatt.

### So warten Sie das Zubehör

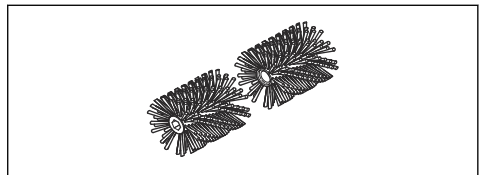


**ACHTUNG:** Das Zubehör wird unter schmutzigen Bedingungen eingesetzt. Wenn Sie ein benzinbetriebenes Gerät verwenden, ist es sehr wichtig, den Luftfilter regelmäßig zu warten. Der Luftfilter muss mit Öl geschmiert werden, damit er ordnungsgemäß funktioniert. Wartungsanweisungen finden Sie in der Betriebsanleitung des Antriebsaggregats.



**WARNUNG:** Nach der Arbeit mit dem Gerät ist das Getriebegehäuse heiß. Berühren Sie das Getriebegehäuse nicht, um Verbrennungen zu vermeiden.

1. Achten Sie darauf, dass die Bürstentrommeln sich nicht bewegen, wenn der Gashebel losgelassen wird.



2. Kontrollieren Sie die Bürstentrommeln auf Beschädigungen und Risse. Tauschen Sie die Bürstentrommeln bei Bedarf aus.

3. Hängen Sie die Bürste bei der Lagerung über längere Zeiträume auf.

---

## Transport, Lagerung und Entsorgung

---

### Transport und Aufbewahrung

Verwenden Sie beim Transport des Anbaugeräts mit einem anderen Fahrzeug stets eine zugelassene Sicherungsvorrichtung und stellen Sie sicher, dass das Anbaugerät gut gesichert wird.

Stellen Sie vor der Langzeitaufbewahrung sicher, dass das Anbaugerät gründlich gesäubert und komplett gewartet wurde.

---

## Technische Angaben

---

### Technische Daten für benzinbetriebene Geräte

| <b>Kehrbürste</b>   | <b>BR600</b> |
|---|--------------|
| Breite der Bürstentrommel, mm   | 597          |
| Durchmesser der Bürstentrommel, mm  | 270          |
| <b>Gewicht</b>  |              |
| Gewicht, kg   | 5,3          |
| <b>Geräuschemissionen</b> <sup>25</sup>   |              |
| Gemessener Schalleistungspegel dB (A)   | 106          |
| Garantierter Schalleistungspegel L <sub>WA</sub> dB (A)   | 110          |
| <b>Geräuschpegel</b> <sup>26</sup>  |              |
| Äquivalenter Schalldruckpegel am Ohr des Bedieners, gemessen nach EN ISO 22868, dB (A):                     | 94           |
| <b>Vibrationen</b> <sup>27</sup>  |              |
| Äquivalente Vibrationspegel (a <sub>hv,eq</sub> ) an den Griffen, gemessen nach ISO 22867, m/s <sup>2</sup> |              |
| Vorderer/hinterer Griff   | 3,7/6,2      |

<sup>25</sup> Umweltbelastende Geräuschemissionen, gemessen als Schalleistung (L<sub>WA</sub>) gemäß EG-Richtlinie 2000/14/EG Der aufgezeichnete Schalleistungspegel für das Gerät wurde unter Verwendung der originalen Schneidausrüstung mit dem höchsten Pegel gemessen. Der Unterschied zwischen garantiertem und gemessenem Schalleistungspegel besteht darin, dass beim garantierten Schalleistungspegel auch eine Streuung im Messergebnis und Variationen zwischen verschiedenen Geräten desselben Modells gemäß der Richtlinie 2000/14/EG berücksichtigt werden.

<sup>26</sup> Berichten zufolge liegt der Schalldruckpegel für dieses Gerät normalerweise bei einer Ausbreitungsklasse (Standardabweichung) von 1 dB (A).

<sup>27</sup> Berichten zufolge liegt der äquivalente Vibrationspegel normalerweise bei einer Ausbreitungsklasse (Standardabweichung) von 1 m/s<sup>2</sup>.

## Technische Daten für akkubetriebene Geräte

|  |            |
|--|------------|
| <b>325iLK + Kehrbürstenanbaugerät BR600</b>                                |            |
| Breite der Bürstentrommel, mm  | 597        |
| Durchmesser der Bürstentrommel, mm   | 270        |
| <b>Gewicht</b>   |            |
| Gewicht, kg  | 2,3 + +5,3 |
| <b>Geräuschemissionen</b> <sup>28</sup>                                    |            |
| Gemessener Schalleistungspegel dB (A)                                      | 90         |
| <b>Geräuschpegel</b> <sup>29</sup>   |            |
| Schalldruckwert am Ohr des Bedieners, gemessen gemäß ISO 22868, dB (A):    | 80         |
| <b>Vibrationen</b> <sup>30</sup>   |            |
| Vibrationspegel an den Griffen, gemessen nach EN 62841-1, m/s <sup>2</sup> |            |
| Ausgestattet mit zugelassenem Zubehör (Original), links/rechts             | 3,3/3,1    |

<sup>28</sup> Berichten zufolge liegt der Schalldruckpegel für dieses Gerät normalerweise bei einer Ausbreitungsklasse (Standardabweichung) von 3 dB(A) und wurde mit dem Original-Anbaugerät, das den höchsten Pegel ergibt, geprüft.

<sup>29</sup> Berichten zufolge liegt der Schalldruckpegel für dieses Gerät normalerweise bei einer Ausbreitungsklasse (Standardabweichung) von 3 dB (A) und wurde mit dem Original-Anbaugerät, das den höchsten Pegel ergibt, geprüft.

<sup>30</sup> Berichten zufolge liegt der Vibrationspegel normalerweise bei einer Ausbreitungsklasse (Standardabweichung) von 2 m/s<sup>2</sup>. Verwenden Sie zum Vergleich von Vibrationspegeln, Akku- und Verbrennungsgeräten den Vibrationsrechner: <https://www.husqvarna.com/uk/services-solutions/vibration-calculator/>.



# Konformitätserklärung

## EU-Konformitätserklärung

Die **Husqvarna AB**, SE-561 82 Huskvarna, Schweden,  
Tel.: +46-36-146500, erklärt in alleiniger Verantwortung,  
dass das Gerät:

|                        |                       |
|------------------------|-----------------------|
| <b>Beschreibung</b>    | Bürstenaufsatz        |
| <b>Marke</b>           | Husqvarna             |
| <b>Typ/Modell</b>      | BR600                 |
| <b>Identifizierung</b> | Seriennummern ab 2022 |

die folgenden EU-Richtlinien und -Verordnungen erfüllt:

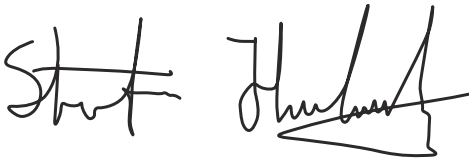
| <b>Richtlinie/Verordnung</b> | <b>Beschreibung</b>  |
|------------------------------|--|
| 2006/42/EG                   | „Maschinenrichtlinie“  |
| 2000/14/EG                   | „über umweltbelastende Geräuschemissionen von zur Verwendung im Freien vorgesehenen Geräten und Maschinen“ |
| 2011/65/EG                   | „zur Beschränkung der Verwendung bestimmter gefährlicher Stoffe in Elektro- und Elektronikgeräten“         |

und dass die folgenden Normen und/oder technischen  
Daten angewendet werden: EN ISO 12100:2010, EN  
IEC 63000:2018

RISE SMP Svenska Maskinprovning AB, Box 7035,  
SE-750 07 Uppsala, Sweden hat im Auftrag von  
Husqvarna AB eine freiwillige Baumusterprüfung  
durchgeführt.

Zertifikatsnummer: SEC/15/2412

Huskvarna, 2022-03-29



Stefan Holmberg, R&D Director, Technology  
Management, Husqvarna AB

Verantwortlich für die technische Dokumentation



## Περιεχόμενα

|                    |    |  |    |
|--------------------|----|--|----|
| Εισαγωγή.....      | 50 | Συντήρηση.....                         | 56 |
| Ασφάλεια.....      | 51 | Μεταφορά, αποθήκευση και απόρριψη..... | 57 |
| Συναρμολόγηση..... | 55 | Τεχνικά στοιχεία.....                  | 57 |
| Λειτουργία.....    | 55 | Δήλωση συμμόρφωσης.....                | 59 |

## Εισαγωγή

### Περιγραφή προϊόντος

Εφαρμόζουμε μια πολιτική συνεχούς ανάπτυξης προϊόντων και, συνεπώς, διατηρούμε το δικαίωμα να προβούμε σε τροποποιήσεις στο σχεδιασμό και την εμφάνιση των προϊόντων χωρίς προειδοποίηση.

**Περιεχόμενα** Αυτό το εγχειρίδιο καλύπτει τις μονάδες παροχής ισχύος που λειτουργούν με βενζίνη και μπαταρία.

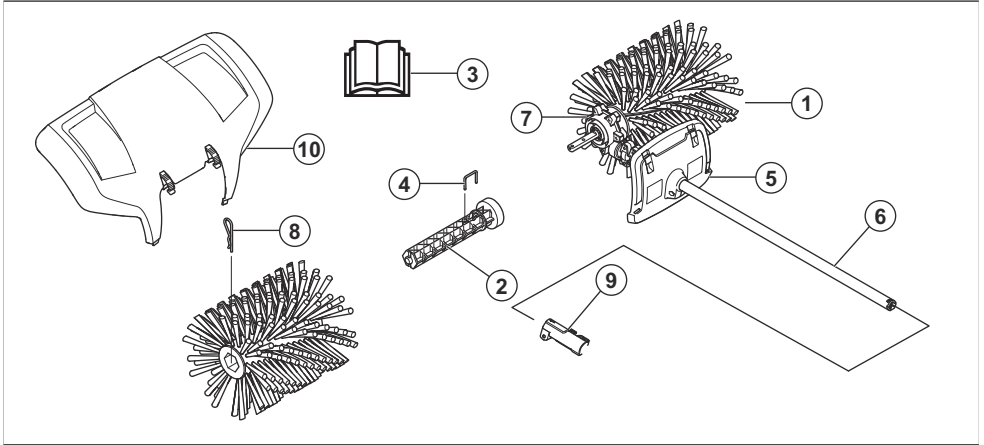
### Προβλεπόμενη χρήση



**ΠΡΟΕΙΔΟΠΟΙΗΣΗ:** Αυτό το παρελκόμενο επιτρέπεται να χρησιμοποιείται μόνο σε συνδυασμό με το προβλεπόμενο προϊόν. Ανατρέξτε στο κεφάλαιο για τα αξεσουάρ στο Εγχειρίδιο χρήσης του προϊόντος.

Το παρελκόμενο είναι σχεδιασμένο μόνο για τη σάρωση μονοπατιών, ασφαλτοστρωμένων δρόμων και παρόμοιων επιφανειών.

### Επισκόπηση παρελκόμενου



1. Τύμπανο βούρτσας
2. Άξονας τυμπάνου
3. Εγχειρίδιο χρήσης
4. Ασφαλιστικός πείρος
5. Προφυλακτήρας (προστασία στον άξονα)
6. Άξονας
7. Περιβλήμα γραναζιών
8. Διχαλωτός πείρος
9. Σύνδεσμος άξονα (περιλαμβάνεται στο προϊόν)
10. Λασπωτήρας

### Σύμβολα στο εξάρτημα και στη μονάδα παροχής ισχύος



Η απρόσεκτη ή λανθασμένη χρήση αυτού του εξαρτήματος μπορεί να προκαλέσει σοβαρό ή θανατηφόρο τραυματισμό στον χειριστή ή σε άλλα άτομα.



Διαβάστε το εγχειρίδιο χρήσης προσεκτικά και βεβαιωθείτε ότι έχετε κατανοήσει τις οδηγίες προτού χρησιμοποιήσετε το εξάρτημα.



Να χρησιμοποιείτε εγκεκριμένη προστασία ακοής. Να χρησιμοποιείτε εγκεκριμένη προστασία ματιών. Να χρησιμοποιείτε μάσκα αναπνοής όταν υπάρχει κίνδυνος λόγω σκόνης.



Αυτό το εξάρτημα συμμορφώνεται με τις ισχύουσες οδηγίες ΕΚ.



Αυτό το προϊόν συμμορφώνεται με τις ισχύουσες οδηγίες του Η.Β.



Κινούμενα μέρη. Μην πλησιάζετε τα χέρια και τα πόδια σας. Το βέλος υποδεικνύει την κατεύθυνση περιστροφής.



Φοράτε πάντα εγκεκριμένα προστατευτικά γάντια.



Φοράτε ανθεκτικές, αντιολισθητικές μπότες.



Προσέχετε για αντικείμενα που μπορεί να εκτοξευθούν ή να εξοστρακιστούν.



Ο χειριστής πρέπει να εξασφαλίζει ότι δεν πλησιάζουν άνθρωποι ή ζώα σε απόσταση μικρότερη από 15 m. Όταν εργάζονται πολλοί χειριστές στην ίδια τοποθεσία, πρέπει να τηρούν απόσταση ασφαλείας τουλάχιστον 15 m. Το εξάρτημα μπορεί να εκσφενδονίσει αντικείμενα με μεγάλη δύναμη, τα οποία μπορεί να αναπηδήσουν προς τα πίσω. Αυτό μπορεί να έχει ως αποτέλεσμα σοβαρό τραυματισμό των ματιών, αν δεν χρησιμοποιηθεί ο συνιστώμενος εξοπλισμός ασφαλείας.



Για όση ώρα λειτουργεί το προϊόν, να διατηρείτε ελάχιστη απόσταση 15 μέτρων από ανθρώπους και ζώα.



Διατηρείτε όλα τα μέρη του σώματος σας μακριά από τις καυτές επιφάνειες.



Ετικέτα εκπομπών θορύβου στο περιβάλλον σύμφωνα με οδηγίες και κανονισμούς της ΕΕ και του Η.Β. και τη νομοθεσία της Νότιας Νέας Ουαλίας "Κανονισμός για την προστασία των περιβαλλοντικών δράσεων (έλεγχος θορύβου) του 2017". Η εγγυημένη στάθμη θορύβου του προϊόντος καθορίζεται στην ενότητα *Τεχνικά στοιχεία στη σελίδα 57* και στην ετικέτα.

**Περιεχόμενα** Άλλα σύμβολα/σήματα που υπάρχουν στο παρελκόμενο αφορούν ειδικές απαιτήσεις πιστοποίησης για συγκεκριμένες αγορές.

## Ασφάλεια

### Ορισμοί για την ασφάλεια

Για την επισήμανση ειδικών σημαντικών τμημάτων του εγχειριδίου χρήσης χρησιμοποιούνται προειδοποιήσεις, συστάσεις προσοχής και σημειώσεις.



**ΠΡΟΕΙΔΟΠΟΙΗΣΗ:** Χρησιμοποιείται όταν υπάρχει κίνδυνος τραυματισμού ή θανάτου του χειριστή ή άλλων παριστάμενων ατόμων, αν δεν τηρηθούν οι οδηγίες που παρέχονται στο εγχειρίδιο.



**ΠΡΟΣΟΧΗ:** Χρησιμοποιείται όταν υπάρχει κίνδυνος πρόκλησης ζημιάς στο προϊόν ή/και στο παρελκόμενο, σε άλλα

υλικά ή στον παρακείμενο χώρο, αν δεν τηρηθούν οι οδηγίες που παρέχονται στο εγχειρίδιο.

**Περιεχόμενα** Χρησιμοποιείται για παροχή περισσότερων πληροφοριών, οι οποίες χρειάζονται σε μια δεδομένη κατάσταση.

### Γενικές οδηγίες ασφαλείας



**ΠΡΟΕΙΔΟΠΟΙΗΣΗ:** Προτού χρησιμοποιήσετε το παρελκόμενο, διαβάστε τις παρακάτω οδηγίες ασφαλείας.

- Διαβάστε το εγχειρίδιο χρήσης προσεκτικά και βεβαιωθείτε ότι έχετε κατανοήσει τις οδηγίες προτού χρησιμοποιήσετε το παρελκόμενο.
- Αυτές οι οδηγίες συμπληρώνουν τις οδηγίες που συμπεριλαμβάνονται στο προϊόν. Για άλλες διαδικασίες, ανατρέξτε στις οδηγίες λειτουργίας του προϊόντος.
- Δεν επιτρέπονται, σε καμία περίπτωση, τροποποιήσεις στη σχεδίαση του παρελκόμενου χωρίς την έγκριση του κατασκευαστή. Μην χρησιμοποιείτε παρελκόμενα που φαίνεται ότι έχουν τροποποιηθεί από άλλους. Φροντίστε να χρησιμοποιείτε πάντα γνήσια αξεσουάρ. Η μη εξουσιοδοτημένη εκτέλεση τροποποιήσεων ή/και η χρήση μη γνήσιων αξεσουάρ μπορεί να οδηγήσει σε σοβαρό προσωπικό τραυματισμό ή θάνατο του χειριστή ή άλλων ατόμων.

## Διαβάστε όλες τις οδηγίες



**ΠΡΟΕΙΔΟΠΟΙΗΣΗ:** Κατά τη χρήση ηλεκτρικών συσκευών κηπουρικής, πρέπει πάντα να τηρούνται οι βασικές προφυλάξεις ασφαλείας προκειμένου να μειωθεί ο κίνδυνος πυρκαγιάς, ηλεκτροπληξίας και τραυματισμού, συμπεριλαμβανομένων των εξής περιπτώσεων:

## Οδηγίες ασφαλείας για τη λειτουργία



**ΠΡΟΕΙΔΟΠΟΙΗΣΗ:** Προτού χρησιμοποιήσετε το προϊόν, διαβάστε τις παρακάτω προειδοποιητικές οδηγίες.

- Φροντίστε να λαμβάνετε μέτρα που εμποδίζουν την ακούσια εκκίνηση κατά τη συναρμολόγηση, τον έλεγχο ή/και την εκτέλεση της συντήρησης. Εάν διαθέτετε ένα βενζινοκίνητο προϊόν, αποσυνδέστε το καπάκι του μπουζί από το μπουζί. Εάν διαθέτετε ένα προϊόν που λειτουργεί με μπαταρία, αφαιρέστε την μπαταρία.
- Μερικές φορές, μπορεί να εγκλωβιστούν πέτρες και γρασιδι στα δόντια. Κατά τον καθαρισμό, σβήνετε πάντα τον κινητήρα/το μοτέρ.
- Να προσέχετε τυχόν αντικείμενα που εκτοξεύονται. Φοράτε πάντοτε προστατευτικά γυαλιά. Μην σκύβετε ποτέ πάνω από το τύμπανο της βούρτσας. Υπάρχει κίνδυνος να εκτοξευθούν πέτρες, σκουπίδια, κλπ. στα μάτια σας προκαλώντας τύφλωση ή σοβαρό τραυματισμό.
- Τα γρανάζια μπορεί να ζεσταθούν πολύ κατά τη χρήση και ενδέχεται να παραμείνουν σε αυτή την κατάσταση για σύντομο διάστημα μετά τη χρήση. Υπάρχει κίνδυνος εγκαυμάτων σε περίπτωση επαφής.
- Κρατήστε το προϊόν σταθερό κατά την εκκίνηση.
- Παρόλο που τα τύμπανα της βούρτσας δεν έχουν την ίδια δύναμη με τις λεπίδες ενός γλοοκοπτικού γκαζόν, για παράδειγμα, θα πρέπει να αποφεύγετε να εργάζεστε με υλικά που μπορούν να προκαλέσουν προσωπικό τραυματισμό ή υλικές ζημιές εάν εκτοξευθούν.
- Μην χρησιμοποιείτε το προϊόν παρά μόνο όταν έχετε τη δυνατότητα να καλέσετε σε βοήθεια σε περίπτωση ατυχήματος.
- Το προϊόν πρέπει να χρησιμοποιείται μόνο για το σκοπό για τον οποίο προορίζεται.
- Μην χρησιμοποιείτε ποτέ το προϊόν εάν είστε κουρασμένοι, έχετε καταναλώσει αλκοόλ ή παίρνετε φάρμακα που μπορεί να επηρεάσουν την όραση, την κρίση ή το συντονισμό σας.
- Μην χρησιμοποιείτε ποτέ το προϊόν σε ακραίες καιρικές συνθήκες π.χ. σε δριμύ ψύχος ή σε πολύ θερμά ή/και υγρά κλίματα.
- Μην χρησιμοποιείτε ποτέ το προϊόν εάν παρουσιάζει πρόβλημα. Εκτελείτε όλους τους ελέγχους ασφαλείας και τηρείτε τις οδηγίες συντήρησης και επισκευής που αναφέρονται στο παρόν εγχειρίδιο. Μερικά μέτρα συντήρησης και επισκευής πρέπει να εκτελούνται από εκπαιδευμένο και ειδικευμένο προσωπικό. Δείτε τις οδηγίες στην ενότητα με τίτλο Συντήρηση.
- Μην επιτρέπετε ποτέ σε παιδιά να χρησιμοποιούν το προϊόν.
- Μην επιτρέπετε ποτέ σε άλλα άτομα να χρησιμοποιούν το προϊόν χωρίς να έχετε προηγουμένως διασφαλίσει ότι έχουν διαβάσει και κατανοήσει το περιεχόμενο του εγχειριδίου χρήσης.
- Κρατήστε σε απόσταση μη εξουσιοδοτημένα άτομα. Παιδιά, ζώα, παριστάμενα άτομα και βοηθοί θα πρέπει να παραμείνουν εκτός της ζώνης ασφαλείας των 15 μέτρων κατά τη διάρκεια της εργασίας. Εάν πλησιάσει κάποιος, απενεργοποιήστε αμέσως το προϊόν.
- Εάν προκύψει μια κατάσταση όπου δεν είστε σίγουροι για το πώς πρέπει να προχωρήσετε, θα πρέπει να ζητήσετε τη συμβουλή ειδικού. Επικοινωνήστε με τον αντιπρόσωπο ή το συνεργείο σας.
- Αποφεύγετε τις καταστάσεις χρήσης, τις οποίες θεωρείτε πέραν των δυνατοτήτων σας.
- Πρέπει να παρακολουθείτε τον περιβάλλοντα χώρο και να βεβαιώνετε ότι δεν υπάρχουν άνθρωποι ή ζώα που μπορεί να έρθουν σε επαφή με το προϊόν ή να επηρεάσουν τον τρόπο που το ελέγχετε.
- Επιδείξτε προσοχή στην ακρόαση προειδοποιητικών σημάτων ή κραυγών κατά τη χρήση προστατευτικών ακοής. Αφαιρέτε πάντα τα προστατευτικά ακοής μόλις σβήσει ο κινητήρας/το μοτέρ.
- Μην χρησιμοποιείτε το προϊόν όταν ο καιρός δεν είναι καλός, π.χ. σε περίπτωση πυκνής ομίχλης, δυνατής βροχής, ισχυρών ανέμων, έντονου ψύχους κ.λπ. Η εργασία με άσχημες καιρικές συνθήκες είναι κουραστική και συχνά συνεπάγεται πρόσθετους κινδύνους, όπως παγωμένο έδαφος.

- Βεβαιωθείτε ότι μπορείτε να κινηθείτε και να σταθείτε όρθιοι με ασφάλεια.



- Πρέπει να απενεργοποιείτε το προϊόν προτού το μετακινήσετε.
- Μην τοποθετείτε το προϊόν κάτω όταν ο κινητήρας/το μοτέρ είναι σε λειτουργία, παρά μόνο εάν είστε σε θέση να το παρακολουθείτε καλά.
- Κρατάτε πάντα το προϊόν και με τα δύο χέρια. Φροντίστε να κρατάτε το προϊόν στο πλάι του σώματός σας.
- Φροντίστε να μην πλησιάζετε τα χέρια και τα πόδια σας στη βούρτσα όταν λειτουργεί ο κινητήρας/το μοτέρ.
- Όταν σβήνετε τον κινητήρα/το μοτέρ, δεν πρέπει να πλησιάζετε τα χέρια και τα πόδια σας στη βούρτσα μέχρι αυτή να ακινητοποιηθεί πλήρως.
- Στην περίπτωση ισχυρών κραδασμών, απενεργοποιήστε το προϊόν. Εάν διαθέτετε ένα βενζινοκίνητο προϊόν, αποσυνδέστε το καλώδιο ΥΤ από το μπουζί. Εάν διαθέτετε ένα προϊόν που λειτουργεί με μπαταρία, αφαιρέστε την μπαταρία. Βεβαιωθείτε το προϊόν δεν έχει υποστεί ζημιά. Επιδιορθώστε τυχόν ζημιές.

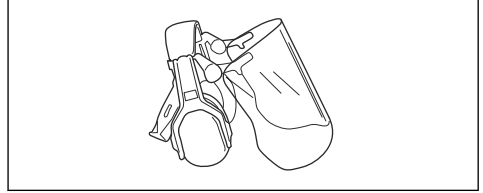
## Προσωπικός εξοπλισμός προστασίας



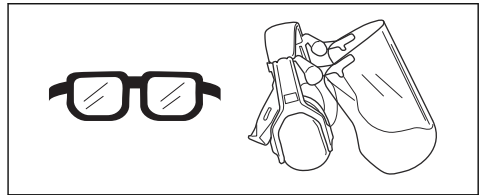
**ΠΡΟΕΙΔΟΠΟΙΗΣΗ:** Προτού χρησιμοποιήσετε το προϊόν, διαβάστε τις παρακάτω προειδοποιητικές οδηγίες.

- Όταν χρησιμοποιείτε το προϊόν, να φοράτε πάντα εγκεκριμένο προσωπικό εξοπλισμό προστασίας. Ο προσωπικός εξοπλισμός προστασίας δεν μπορεί να εξαλείψει τον κίνδυνο τραυματισμών, ωστόσο μειώνει τη σοβαρότητά τους σε περίπτωση ατυχήματος. Ο αντιπρόσωπος θα σας βοηθήσει να επιλέξετε το σωστό εξοπλισμό.
- Να χρησιμοποιείτε εγκεκριμένα προστατευτικά ακοής που παρέχουν επαρκή μείωση θορύβου.

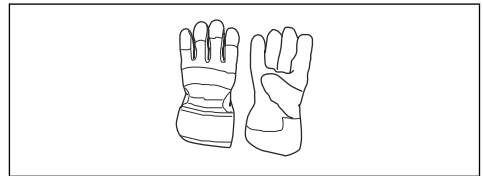
Η μακροχρόνια έκθεση στο θόρυβο μπορεί να προκαλέσει μόνιμη βλάβη στην ακοή.



- Χρησιμοποιείτε εγκεκριμένη προστασία των ματιών. Εάν χρησιμοποιείτε προστατευτικό γείσο, πρέπει επίσης να χρησιμοποιείτε πάντα εγκεκριμένα προστατευτικά γυαλιά. Τα εγκεκριμένα προστατευτικά γυαλιά πρέπει να συμμορφώνονται με το πρότυπο ANSI Z87.1 στις Η.Π.Α. ή το πρότυπο EN 166 στις χώρες της Ε.Ε.



- Όταν χρειάζεται, να χρησιμοποιείτε γάντια, για παράδειγμα κατά την τοποθέτηση, την επιθεώρηση ή τον καθαρισμό του εξοπλισμού κοπής.



- Να χρησιμοποιείτε μπότες προστασίας με ενίσχυση στα δαχτυλάκια και αντιολισθητικές σόλες.



- Να φοράτε ρούχα από ανθεκτικό ύφασμα. Να φοράτε πάντα ανθεκτικό μακρύ παντελόνι και μακριά μανίκια. Να μην φοράτε φαρδιά ρούχα που μπορεί να πιαστούν σε κλωνάρια και κλαδιά. Να μην φοράτε κοσμήματα, κοντά παντελόνια, σανδάλια και να μην είστε ξυπόλυτοι. Να δένετε τα μαλλιά σας με ασφάλεια πάνω από το ύψος των ώμων.

- Να φροντίζετε να υπάρχει εξοπλισμός πρώτων βοηθειών σε κοντινή απόσταση.



## Συσκευές ασφαλείας στο παρελκόμενο



**ΠΡΟΕΙΔΟΠΟΙΗΣΗ:** Προτού χρησιμοποιήσετε το προϊόν, διαβάστε τις παρακάτω προειδοποιητικές οδηγίες.

Σε αυτήν την ενότητα περιγράφονται τα χαρακτηριστικά ασφαλείας του παρελκόμενου, ο σκοπός για τον οποίο προορίζεται και ο τρόπος διεξαγωγής των ελέγχων και της συντήρησης προκειμένου να εξασφαλίζεται η σωστή λειτουργία του. Διαβάστε τις οδηγίες κάτω από την επικεφαλίδα *Επισκόπηση παρελκόμενου στη σελίδα 50* για να μάθετε πού βρίσκονται αυτά τα εξαρτήματα στο παρελκόμενο.

Αν η συντήρηση δεν εκτελείται σωστά και αν το σέρβις ή/και οι επισκευές δεν εκτελούνται με επαγγελματικό τρόπο, μπορεί να μειωθεί η διάρκεια ζωής του παρελκόμενου και να αυξηθεί ο κίνδυνος ατυχημάτων. Εάν χρειαστείτε περισσότερες πληροφορίες, επικοινωνήστε με τον πλησιέστερο αντιπρόσωπο σέρβις.



**ΠΡΟΕΙΔΟΠΟΙΗΣΗ:** Μην χρησιμοποιείτε ποτέ ένα παρελκόμενο με ελαττωματικά εξαρτήματα ασφαλείας. Ο εξοπλισμός ασφαλείας του παρελκόμενου πρέπει να επιθεωρείται και να συντηρείται όπως περιγράφεται σε αυτήν την ενότητα. Εάν δεν εκτελεστεί με επιτυχία οποιοσδήποτε από αυτούς τους ελέγχους στο παρελκόμενο, επικοινωνήστε με τον αντιπρόσωπο σέρβις για επίσκεψη.



**ΠΡΟΕΙΔΟΠΟΙΗΣΗ:** Για όλες τις εργασίες σέρβις και επισκευής στο προϊόν απαιτείται ειδική εκπαίδευση. Αυτό ισχύει ιδιαίτερα για τον εξοπλισμό ασφαλείας του

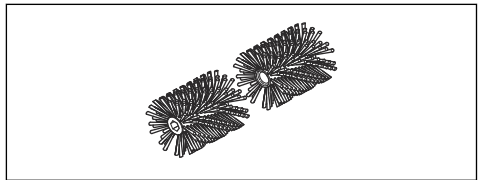
προϊόντος. Εάν το προϊόν δεν ολοκληρώσει επιτυχώς οποιονδήποτε από τους ελέγχους που περιγράφονται παρακάτω, πρέπει να επικοινωνήσετε με τον αντιπρόσωπο σέρβις. Όταν αγοράζετε οποιοδήποτε από τα προϊόντα μας, εγγυόμαστε τη διαθεσιμότητα επαγγελματικών επισκευών και σέρβις. Εάν το κατάστημα λιανικής πώλησης απ' όπου προμηθευτήκατε το προϊόν δεν είναι αντιπρόσωπος σέρβις, ζητήστε από το κατάστημα τη διεύθυνση του πλησιέστερου αντιπροσώπου σέρβις.

## Οδηγίες ασφαλείας για τη συντήρηση



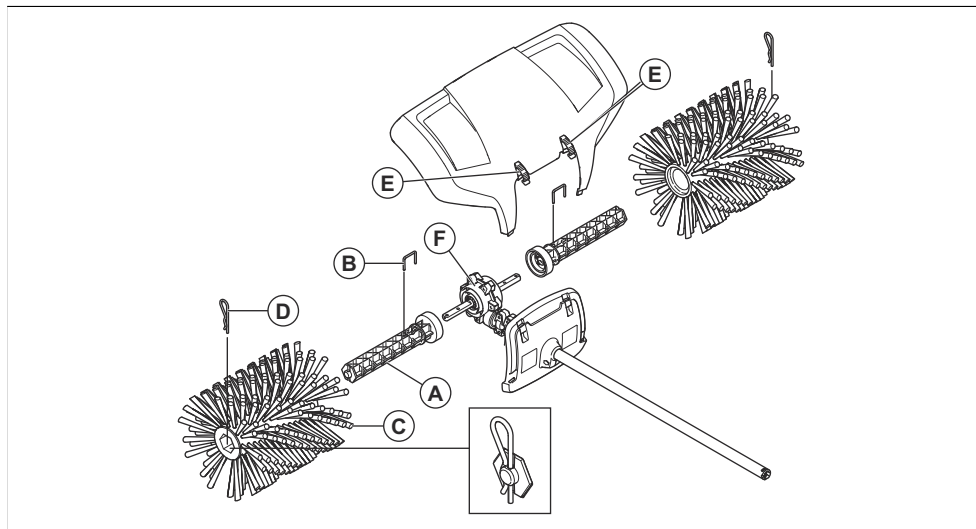
**ΠΡΟΕΙΔΟΠΟΙΗΣΗ:** Πρέπει πάντα να διακόπτετε τη λειτουργία του προϊόντος προτού εκτελέσετε εργασίες συντήρησης στο παρελκόμενο. Πρέπει να προσέχετε γιατί το παρελκόμενο μπορεί να συνεχίσει να κινείται ακόμα και αφού αφήσετε το γκάζι/την σκανδάλη γκαζιού. Βεβαιωθείτε ότι το παρελκόμενο έχει σταματήσει εντελώς. Εάν διαθέτετε ένα βενζινοκίνητο προϊόν, αποσυνδέστε τα καλώδια ΥΤ από το μπουζί. Εάν διαθέτετε ένα προϊόν που λειτουργεί με μπαταρία, αφαιρέστε την μπαταρία.

- Ελέγξτε ολόκληρο το προϊόν προτού ξεκινήσετε οποιαδήποτε εργασία. Αντικαταστήστε τα μέρη που έχουν υποστεί βλάβη.
- Ελέγξτε ότι όλα τα προστατευτικά και τα καλύμματα είναι ακεραία και καλά στερεωμένα. Ελέγξτε όλα τα παξιμάδια και τις βίδες.
- Εάν διαθέτετε ένα βενζινοκίνητο προϊόν, βεβαιωθείτε ότι δεν υπάρχουν διαρροές καυσίμου.
- Βεβαιωθείτε ότι τα τύμπανα της βούρτσας δεν έχουν υποστεί ζημιά και δεν εμφανίζουν σημάδια ρωγμών ή άλλη φθορά.



## Συναρμολόγηση

### Συναρμολόγηση του παρελκόμενου



1. Πιέστε έναν από τους άξονες του τυμπάνου (F) πάνω σε έναν από τους δύο άξονες μετάδοσης κίνησης που εξέρχονται από το περίβλημα των γραναζιών. Περιστρέψτε τον άξονα του τυμπάνου, εάν είναι απαραίτητο, ώστε η οπή του πείρου να ευθυγραμμιστεί με την αντίστοιχη οπή του άξονα μετάδοσης κίνησης.
2. Ασφαλίστε τον κύλινδρο οδηγό με τον πείρο ασφάλισης (B).
3. Τοποθετήστε έναν από τους κυλίνδρους βούρτσας (Γ) στο συναρμολογημένο άξονα. Πιέστε μέσα το κύλινδρο μέχρι να σταματήσει.

4. Ασφαλίστε τον κύλινδρο στον άξονα με ένα διχαλωτό πείρο ασφαλείας (Δ). Πιέστε ελαφρά το άκρο προς τα μέσα κατά τη συναρμολόγηση.
5. Επαναλάβετε αυτά τα βήματα για να συναρμολογήσετε τον άξονα και τον κύλινδρο στην αντίθετη πλευρά.
6. Τοποθετήστε το λασπωτήρα με τους σφιγκτήρες ασφάλισης (E).

**Περιεχόμενα** Για τη συναρμολόγηση εξαρτημάτων στο βασικό προϊόν, ανατρέξτε στο εγχειρίδιο χρήσης του βασικού προϊόντος.

## Λειτουργία

### Χρήση του παρελκόμενου

1. Το προϊόν πρέπει να χρησιμοποιείται με τέρμα το γκάζι/στη μέγιστη ταχύτητα (ή σχεδόν τέρμα το γκάζι/στη μέγιστη ταχύτητα), με τη βούρτσα ακουμπισμένη πάνω στην επιφάνεια.

**Περιεχόμενα** Είναι κουραστικό αλλά και άχρηστο να σηκώνετε ή να κρατάτε τη βούρτσα πάνω από την επιφάνεια κατά την εργασία.

2. Όταν καθαρίζετε στενές επιφάνειες, όπως μονοπάτια, μπορείτε να χρησιμοποιήσετε το προϊόν έτσι ώστε να εκτοξεύει τα υλικά ευθεία μπροστά σας. Εάν θέλετε να εργαστείτε σε πλατύτερες επιφάνειες, ίσως χρειαστεί να δουλέψετε υπό γωνία ώστε να σχηματίζονται λωρίδες υλικών από τη μία πλευρά. Οι λωρίδες που αποτελούνται από ελαφριά υλικά μπορούν να συγκεντρωθούν σε μία σειρά ή σε σωρό για να απομακρυνθούν αργότερα, ενώ τα σκληρά ή πιο ογκώδη υλικά ίσως χρειαστεί να συγκεντρωθούν σε περισσότερες λωρίδες.



3. Για πρόσβαση σε γωνίες, αφαιρέστε το λασπωτήρα, χαλαρώστε το σύνδεσμο του αξεσουάρ και περιστρέψτε το αξεσουάρ κατά μισή στροφή.



### ΠΡΟΕΙΔΟΠΟΙΗΣΗ:

Στην περίπτωση αυτή, τα σκουπίδια θα εκτοξεύονται προς το χρήστη. Χρησιμοποιήστε χαμηλότερη ταχύτητα όταν κινείτε το προϊόν προς τα πίσω και μην ξεχνάτε ότι είναι εύκολο να ανατραπεί.

4. Διατηρείτε μικρή γωνία εργασίας σε σχέση με την επιφάνεια που εργάζεστε. Αν η γωνία εργασίας είναι πολύ μεγάλη, το σάρωθρο τείνει να κινείται προς το μέρος σας και υπάρχει κίνδυνος να χάσετε τον έλεγχο του προϊόντος.



## Συντήρηση

### Εισαγωγή

Παρακάτω θα βρείτε ορισμένες γενικές οδηγίες συντήρησης. Εάν χρειαστείτε περισσότερες πληροφορίες, μπορείτε να επικοινωνήσετε με το συνεργείο της περιοχής σας.

### Συντήρηση του παρελκόμενου

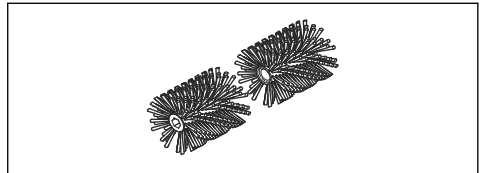


**ΠΡΟΣΟΧΗ:** Το παρελκόμενο λειτουργεί σε συνθήκες όπου υπάρχουν πολλοί ρύποι. Αν το προϊόν που διαθέτετε είναι βενζινοκίνητο, είναι πολύ σημαντικό να κάνετε τακτικά συντήρηση του φίλτρου αέρα. Το φίλτρο αέρα πρέπει να λιπαίνεται με λάδι για να λειτουργεί ικανοποιητικά. Για οδηγίες συντήρησης, ανατρέξτε στο εγχειρίδιο χρήσης της μονάδας παροχής ισχύος.



**ΠΡΟΕΙΔΟΠΟΙΗΣΗ:** Το περιβλημα γρاناζιών θερμαίνεται πολύ μετά τη χρήση του προϊόντος. Για να αποφύγετε τυχόν έγκαυμα, μην αγγίζετε το περιβλημα των γρاناζιών.

1. Ελέγξτε ότι τα τύμπανα της βούρτσας δεν περιστρέφονται όταν απελευθερώνεται το γκάζι/η σκανδάλη γκαζιού.



2. Βεβαιωθείτε ότι τα τύμπανα της βούρτσας δεν έχουν υποστεί ζημιά ή ρωγμές. Αντικαταστήστε τα τύμπανα της βούρτσας εάν χρειάζεται.



3. Κρεμάστε ψηλά τη βούρτσα κατά την αποθήκευση για μεγάλες χρονικές περιόδους.

## Μεταφορά, αποθήκευση και απόρριψη

### Μεταφορά και αποθήκευση

Σε περίπτωση μεταφοράς του παρελκόμενου σε άλλο όχημα, χρησιμοποιείτε πάντα τις εγκεκριμένες συσκευές ασφαλείας και βεβαιωθείτε ότι το παρελκόμενο συγκρατείται με ασφάλεια.

Πριν να αποθηκεύσετε το παρελκόμενο για μεγάλο χρονικό διάστημα, βεβαιωθείτε ότι είναι καθαρό και ότι έχει συντηρηθεί πλήρως.

## Τεχνικά στοιχεία

### Τεχνικά στοιχεία για τα προϊόντα με βενζινοκινητήρα

|  |              |
|--|--------------|
| <b>Βούρτσα με τρίχα</b>  | <b>BR600</b> |
| Πλάτος τυμπάνου βούρτσας, mm   | 597          |
| Διάμετρος τυμπάνου βούρτσας, mm  | 270          |
| <b>Βάρος</b>   |              |
| Βάρος, κιλά  | 5,3          |
| <b>Εκπομπές θορύβου</b> <sup>31</sup>  |              |
| Στάθμη ηχητικής ισχύος, μετρούμενη τιμή σε dB (A)  | 106          |
| Στάθμη ηχητικής ισχύος, εγγυημένη, $L_{WA}$ σε dB (A)  | 110          |
| <b>Επίπεδα θορύβου</b> <sup>32</sup>   |              |
| Ισοδύναμη στάθμη ηχητικής πίεσης στα αυτιά του χειριστή, μετρημένη κατά EN ISO 22868, dB(A): | 94           |
| <b>Κραδασμοί</b> <sup>33</sup>   |              |
| Ισοδύναμες στάθμες κραδασμών ( $a_{hv,eq}$ ) στις λαβές, μετρημένες κατά ISO 22867, $m/s^2$  |              |
| Εμπρόσθιες/οπίσθιες χειρολαβές   | 3,7/6,2      |

<sup>31</sup> Οι εκπομπές θορύβου στο περιβάλλον, οι οποίες μετρούνται ως ηχητική ισχύος ( $L_{WA}$ ), σε συμμόρφωση με την Οδηγία 2000/14/EK. Η καταγεγραμμένη στάθμη ηχητικής ισχύος για το μηχάνημα έχει μετρηθεί με το αυθεντικό παρελκόμενο κοπής, που δίνει την υψηλότερη στάθμη. Η διαφορά μεταξύ της εγγυημένης και της μετρούμενης ηχητικής ισχύος είναι ότι η εγγυημένη ηχητική ισχύς περιλαμβάνει επίσης τη διασπορά στο αποτέλεσμα της μέτρησης και τις αποκλίσεις μεταξύ των διαφορετικών μηχανημάτων του ίδιου μοντέλου σύμφωνα με την Οδηγία 2000/14/EK.

<sup>32</sup> Τα καταγεγραμμένα στοιχεία για την αντίστοιχη στάθμη ηχητικής πίεσης για το μηχάνημα έχουν μια τυπική στατιστική διασπορά (τυπική απόκλιση) της τάξης του 1 dB (A).

<sup>33</sup> Τα καταγεγραμμένα στοιχεία για την ισοδύναμη στάθμη κραδασμών έχουν τυπική στατιστική διασπορά (τυπική απόκλιση) ίση με 1  $m/s^2$ .

## Τεχνικά στοιχεία για τα προϊόντα που λειτουργούν με μπαταρία

|   |         |
|---|---------|
| <b>325iLK + Παρελκόμενο βούρτσας με τρίχα BR600</b>                                       |         |
| Πλάτος τυμπάνου βούρτσας, mm  | 597     |
| Διάμετρος τυμπάνου βούρτσας, mm   | 270     |
| <b>Βάρος</b>  |         |
| Βάρος, κιλά   | 2,3+5,3 |
| <b>Εκπομπές θορύβου</b> <sup>34</sup>   |         |
| Στάθμη ηχητικής ισχύος, μετρούμενη τιμή σε dB (A)   | 90      |
| <b>Επίπεδα θορύβου</b> <sup>35</sup>  |         |
| Ισοδύναμη στάθμη ηχητικής πίεσης στα αφτιά του χειριστή, μετρημένη κατά ISO 22868, dB(A): | 80      |
| <b>Κραδασμοί</b> <sup>36</sup>  |         |
| Στάθμες κραδασμών στις λαβές, μετρημένες κατά EN 62841-1, σε m/s <sup>2</sup>             |         |
| Εξοπλισμένο με εγκεκριμένο (γνήσιο) εξάρτημα, αριστερά/δεξιά                              | 3,3/3,1 |

<sup>34</sup> Τα καταγεγραμμένα στοιχεία για τη στάθμη ηχητικής ισχύος του μηχανήματος παρουσιάζουν τυπική στατιστική διασπορά (τυπική απόκλιση) 3 dB (A). Η μέτρηση έχει γίνει με το αρχικό παρελκόμενο, το οποίο παρέχει την υψηλότερη στάθμη.

<sup>35</sup> Τα καταγεγραμμένα στοιχεία για τη στάθμη ηχητικής πίεσης του μηχανήματος παρουσιάζουν τυπική στατιστική διασπορά (τυπική απόκλιση) 3 dB (A). Η μέτρηση έχει γίνει με το αρχικό παρελκόμενο, το οποίο παρέχει την υψηλότερη στάθμη.

<sup>36</sup> Τα καταγεγραμμένα στοιχεία για τη στάθμη κραδασμών έχουν μία τυπική στατιστική διασπορά (τυπική απόκλιση) της τάξης του 2 m/s<sup>2</sup>. Για σύγκριση των σταθμών κραδασμών στα προϊόντα με μπαταρία και με κινητήρα εσωτερικής καύσης, χρησιμοποιήστε τη σελίδα υπολογισμού κραδασμών στη διεύθυνση <https://www.husqvarna.com/uk/services-solutions/vibration-calculator/>.

## Δήλωση συμμόρφωσης

### Δήλωση συμμόρφωσης ΕΕ

Εμείς, η **Husqvarna AB**, SE-561 82 Huskvarna, Σουηδία,  
τηλ.: +46-36-146500, δηλώνουμε με αποκλειστική μας  
ευθύνη ότι το προϊόν:

|                        |   |
|------------------------|---|
| <b>Περιγραφή</b>       | Εξάρτημα βούρτσας                                   |
| <b>Μάρκα</b>           | Husqvarna   |
| <b>Τύπος / Μοντέλο</b> | BR600   |
| <b>Αναγνώριση</b>      | Αριθμοί σειράς με ημερομηνία από το 2022 και έπειτα |

συμμορφώνεται πλήρως με τις ακόλουθες οδηγίες και  
τους κανονισμούς της ΕΕ:

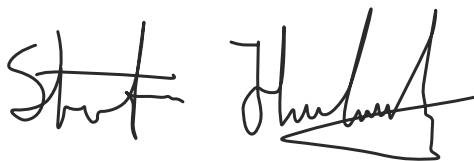
| <b>Οδηγία/Κανονισμός</b> | <b>Περιγραφή</b>   |
|--------------------------|--|
| 2006/42/EK               | "σχετικά με τα μηχανήματα"   |
| 2000/14/EK               | "σχετικά με τις εκπομπές θορύβου στο περιβάλλον"   |
| 2011/65/EE               | "σχετικά με τον περιορισμό της χρήσης ορισμένων επικίνδυνων ουσιών σε είδη ηλεκτρικού και ηλεκτρονικού εξοπλισμού" |

και ότι εφαρμόζονται τα παρακάτω πρότυπα ή/και  
τεχνικές προδιαγραφές: EN ISO 12100:2010, EN IEC  
63000:2018

Ο φορέας RISE SMP Svenska Maskinprovning  
AB, Box 7035, SE-750 07 Uppsala, Sweden έχει  
διεξαγάγει εξέταση εθελοντικού τύπου για λογαριασμό  
της Husqvarna AB.

Αριθμός πιστοποιητικού: SEC/15/2412

Huskvarna, 2022-03-29



Stefan Holmberg, Διευθυντής Έρευνας και Ανάπτυξης,  
Διαχείριση τεχνολογίας, Husqvarna AB

Υπεύθυνος για την τεχνική τεκμηρίωση



## Contenido

|                     |    |   |    |
|---------------------|----|---|----|
| Introducción.....   | 60 | Mantenimiento.....                            | 66 |
| Seguridad.....      | 61 | Transporte, almacenamiento y eliminación..... | 67 |
| Montaje.....        | 65 | Datos técnicos.....                           | 67 |
| Funcionamiento..... | 65 | Declaración de conformidad.....               | 69 |

## Introducción

### Descripción del producto

Trabajamos constantemente para perfeccionar nuestros productos y nos reservamos, por lo tanto, el derecho a introducir modificaciones en la construcción y el diseño sin previo aviso.

**Nota:** El presente manual trata tanto las unidades de alimentación de gasolina como las de batería.

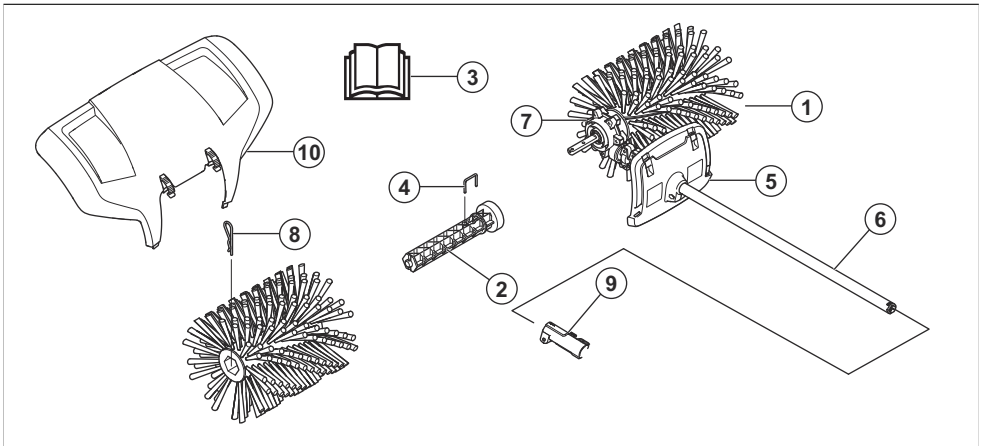
### Uso previsto



**ADVERTENCIA:** Este accesorio solo puede utilizarse con el producto para el que está previsto su uso; consulte el capítulo sobre accesorios del manual de usuario del producto.

El accesorio solo está diseñado para barrer caminos, carreteras de asfalto y lugares similares.

### Vista general del equipo



1. Cepillo
2. Eje del cepillo
3. Manual de usuario
4. Pasador de seguridad
5. Protección (protección del tubo)
6. Tubo
7. Carcasa de la caja de engranajes
8. Pasador partido
9. Acoplamiento del tubo (incluido con el producto)
10. Protección contra salpicaduras

### Símbolos que aparecen en el accesorio y la unidad de alimentación



Un uso descuidado o incorrecto de este equipo puede provocar heridas graves o mortales al usuario o a otras personas.



Lea atentamente el manual de usuario y asegúrese de que entiende las instrucciones antes de utilizar el equipo.





Utilice protectores auriculares homologados. Utilice protección ocular homologada. Utilice una máscara protectora si existe riesgo de polvo.



Mantenga siempre a las personas y animales a una distancia mínima de 15 m/50 pies mientras el producto esté funcionando.



Este equipo cumple con las directivas CE vigentes.



Mantenga todas las partes del cuerpo alejadas de las superficies calientes.



Este producto cumple con las directivas del Reino Unido vigentes.



Etiqueta de emisiones sonoras al medio ambiente conforme con las directivas y normativas europeas y del Reino Unido, y con la regulación de 2017 sobre de protección del medioambiente (control de ruidos) (Protection of the Environment Operations - Noise Control) de la legislación de Nueva Gales del Sur. El nivel de potencia acústica garantizado del producto se especifica en el apartado *Datos técnicos en la página 67* y en la etiqueta.



Piezas giratorias. Mantenga alejados las manos y los pies. La flecha indica el sentido de rotación.



Utilice siempre guantes protectores homologados.



Utilice botas resistentes y antideslizantes.

**Nota:** Los demás símbolos o etiquetas que aparecen en el equipo corresponden a requisitos de homologación específicos en determinados mercados.



Cuidado con los objetos que salen despedidos o rebotados.

El usuario debe asegurarse de que no haya personas ni animales a menos de 15 m. Si hubiera varios operarios trabajando en el mismo lugar, deben guardar entre ellos una distancia de seguridad de al menos 15 m. El equipo puede hacer que salgan despedidos objetos con mucha fuerza que pueden rebotar. Si no se utiliza el equipo de seguridad recomendado, se pueden producir daños oculares graves.



## Seguridad

### Definiciones de seguridad

Las advertencias, precauciones y notas se utilizan para destacar información especialmente importante del manual de usuario.



**PRECAUCIÓN:** Indica un riesgo de daños en el producto o en el accesorio, otros materiales o el área adyacente si no se respetan las instrucciones del manual.



**ADVERTENCIA:** Indica un riesgo de lesiones o incluso de muerte del usuario o de las personas cercanas si no se respetan las instrucciones del manual.

**Nota:** Se usa para proporcionar más información necesaria en una situación determinada.

## Instrucciones generales de seguridad



**ADVERTENCIA:** Lea las siguientes instrucciones de seguridad antes de utilizar el equipo.

- Lea detenidamente el manual de instrucciones y asegúrese de entender su contenido antes de utilizar el equipo.
- Estas instrucciones complementan las instrucciones que se incluyen con el producto. Para otros procedimientos, consulte las instrucciones de operación del producto.
- Bajo ninguna circunstancia debe modificarse la configuración original del equipo sin autorización del fabricante. No utilice un equipo que parezca haber sido modificado por otras personas y emplee siempre accesorios originales. Las modificaciones y/o la utilización de accesorios no autorizadas pueden ocasionar accidentes graves o incluso la muerte del operario o de terceros.

## Lea todas las instrucciones



**ADVERTENCIA:** Siempre que utilice máquinas eléctricas de jardinería, deberá adoptar precauciones básicas de seguridad para reducir el riesgo de incendio, descargas eléctricas, o lesiones personales, entre otras las siguientes:

## Instrucciones de seguridad para el funcionamiento



**ADVERTENCIA:** Lea las siguientes instrucciones de advertencia antes de utilizar el producto.

- Evite el encendido accidental del producto durante el montaje, la comprobación o el mantenimiento. Si posee un producto de gasolina, desconecte la pipa de la bujía. Si posee un producto con batería, extráigala.
- A veces se pueden enganchar piedras y hierbas en los dientes. Detenga siempre el motor cuando limpie la máquina.
- Cuidado con los objetos que salen despedidos. Protéjase siempre los ojos. Nunca se incline sobre el cepillo. La máquina puede despedir piedras, basura, etc. contra los ojos y causar ceguera o heridas graves.
- Durante el uso y poco después, el engranaje puede estar caliente. El contacto con el mismo puede ocasionar quemaduras.
- Sujete firmemente el producto cuando lo arranque.
- Aunque los cepillos no tienen tanta fuerza como, por ejemplo, las cuchillas de un cortacésped, evite trabajar con materiales que puedan causar daños personales o en la propiedad si sales despedidos.
- No use el producto a no ser que sea capaz de pedir ayuda en caso de accidente.
- Utilice el producto solamente para el uso al que está destinado.
- Nunca utilice el producto si está cansado, si ha ingerido alcohol o si toma medicamentos que puedan afectarle la vista, su capacidad de discernimiento o el control del cuerpo.
- Nunca utilice el producto en condiciones atmosféricas extremas como frío intenso o clima muy caluroso o húmedo.
- No utilice nunca un producto defectuoso. Lleve a cabo las comprobaciones de seguridad y siga las instrucciones de mantenimiento y servicio de este manual. Algunas medidas de mantenimiento y servicio deben ser efectuadas por especialistas formados y cualificados. Consulte las instrucciones del apartado Mantenimiento.
- No permita nunca que los niños utilicen el producto.
- Nunca deje que otras personas utilicen el producto sin asegurarse primero de que hayan leído y entendido el contenido de este manual de usuario.
- Mantenga alejadas a las personas no autorizadas. Los niños, animales, curiosos y ayudantes deben mantenerse fuera de la zona de seguridad de 15 metros durante el uso. Pare el producto inmediatamente si alguien se acerca.
- Cuando se vea en una situación insegura para continuar el trabajo, debe consultar a un experto. Póngase en contacto con su distribuidor o taller de servicio.
- Evite todo uso para el cual no se sienta suficientemente calificado.
- Observe el entorno y asegúrese de que no haya personas o animales en riesgo de entrar en contacto con el equipo de corte o capaces de afectar a su control del producto.
- Cuando use protectores auriculares preste siempre atención a las señales o llamadas de advertencia. Quítese siempre los protectores auriculares en cuanto se detenga el motor.
- No trabaje en condiciones atmosféricas desfavorables como niebla densa, lluvia intensa, vientos fuertes, frío intenso, etc. Trabajar con mal tiempo es fatigoso y puede crear situaciones peligrosas como, por ejemplo, terrenos resbaladizos.

- Compruebe que pueda caminar y mantenerse de pie con seguridad.



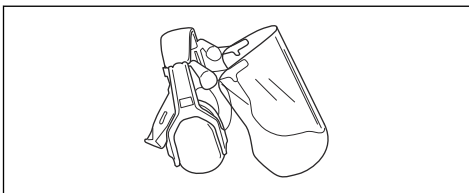
- El producto debe estar apagado antes de desplazarlo.
- No apoye el producto con el motor en marcha sin tenerlo bajo control.
- Utilice siempre las dos manos para sostener el producto. Mantenga el producto al costado de su cuerpo.
- Cerciórese de mantener las manos y los pies alejados del cepillo mientras el motor está en marcha.
- Al apagar el motor, mantenga las manos y los pies alejados del cepillo hasta que se detenga por completo.
- Si hay vibraciones fuertes, detenga el producto. Si posee un producto con gasolina, desconecte el cable HT de la bujía. Si posee un producto con batería, extráigala. Asegúrese de que el producto no esté dañado. Repare posibles averías.

## Equipo de protección personal

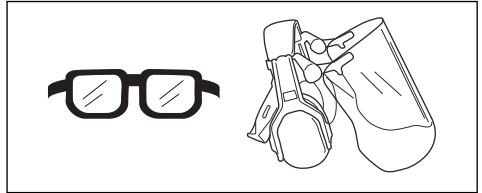


**ADVERTENCIA:** Lea las siguientes instrucciones de advertencia antes de utilizar el producto.

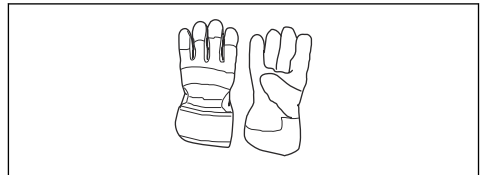
- Para trabajar con el producto, debe utilizar siempre un equipo de protección personal homologado. El equipo de protección personal no elimina completamente el riesgo de lesiones, pero reduce la gravedad de las lesiones en caso de accidente. Deje que el distribuidor le ayude a seleccionar el equipo adecuado.
- Use protectores auriculares homologados con suficiente capacidad de reducción sonora. La exposición prolongada al ruido puede causar daños crónicos en el oído.



- Utilice protección ocular homologada. Si se utiliza visor, deben utilizarse también gafas protectoras homologadas. Por gafas protectoras homologadas se entienden las que cumplen con la norma ANSI Z87.1 para EE. UU. o EN 166 para países de la UE.



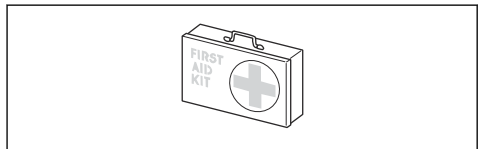
- Utilice guantes cuando sea necesario, por ejemplo, para el montaje, inspección o limpieza del equipo de corte.



- Use botas de protección con punteras de acero y suelas antideslizantes.



- Use indumentaria de material resistente. Use siempre pantalones largos y gruesos, y mangas largas. No lleve ropa suelta que pueda quedar atrapada en los arbustos y ramas. No trabaje con joyas, pantalones cortos, sandalias ni los pies descalzos. Recójase el pelo por encima de los hombros.
- Mantenga el equipo de primeros auxilios cerca.



## Dispositivos de seguridad en el equipo



**ADVERTENCIA:** Lea las siguientes instrucciones de advertencia antes de utilizar el equipo.

En este capítulo, se describen los componentes de seguridad del equipo, su función y el modo de efectuar el control y el mantenimiento para garantizar un funcionamiento óptimo. Consulte las instrucciones bajo el título *Vista general del equipo en la página 60* para ver dónde están situados estos componentes en su equipo.

La vida útil del equipo puede acortarse y el riesgo de accidentes puede aumentar si el mantenimiento no se hace de forma adecuada y si los trabajos de servicio y reparación no se efectúan de forma profesional. Si necesita más información, solicítela al distribuidor de su zona



**ADVERTENCIA:** No emplee nunca un equipo con componentes de seguridad defectuosos. Efectúe la inspección y el mantenimiento de los componentes de seguridad del equipo tal como se describe en este apartado. Si el equipo no supera cualquiera de estas pruebas, póngase en contacto con el taller de servicio para repararlo.



**ADVERTENCIA:** Todos los trabajos de servicio y reparación del producto requieren una formación especial. Esto es especialmente cierto en lo que respecta al equipo de seguridad del producto. Si el producto no pasa alguno de los controles indicados a continuación, acuda a su taller de servicio. La compra de alguno de nuestros productos le garantiza que puede recibir un mantenimiento y servicio profesional. Si no ha adquirido el producto en una de nuestras tiendas especializadas

con servicio, solicite información sobre el taller de servicio más cercano.

---

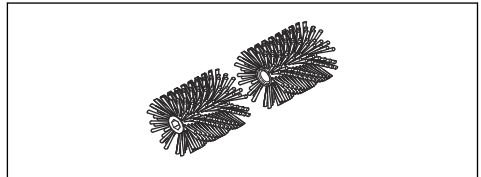
## Instrucciones de seguridad para el mantenimiento

---



**ADVERTENCIA:** Detenga siempre el producto antes de realizar cualquier tarea de mantenimiento en el accesorio. Tenga cuidado, pues el accesorio puede seguir girando después de haber soltado el acelerador/gatillo de alimentación. Asegúrese de que el accesorio se ha detenido por completo. Si posee un producto con gasolina, desconecte los cables HT de la bujía. Si posee un producto con batería, extráigala.

- Inspeccione el producto en su totalidad antes de iniciar el trabajo. Sustituya las piezas dañadas.
- Compruebe que están montadas todas las protecciones y cubiertas, y que están bien fijadas. Compruebe todas las tuercas y los tornillos.
- Si posee un producto con gasolina, compruebe que no haya fugas de combustible.
- Compruebe que los cepillos están intactos y que no presentan grietas ni otros daños.



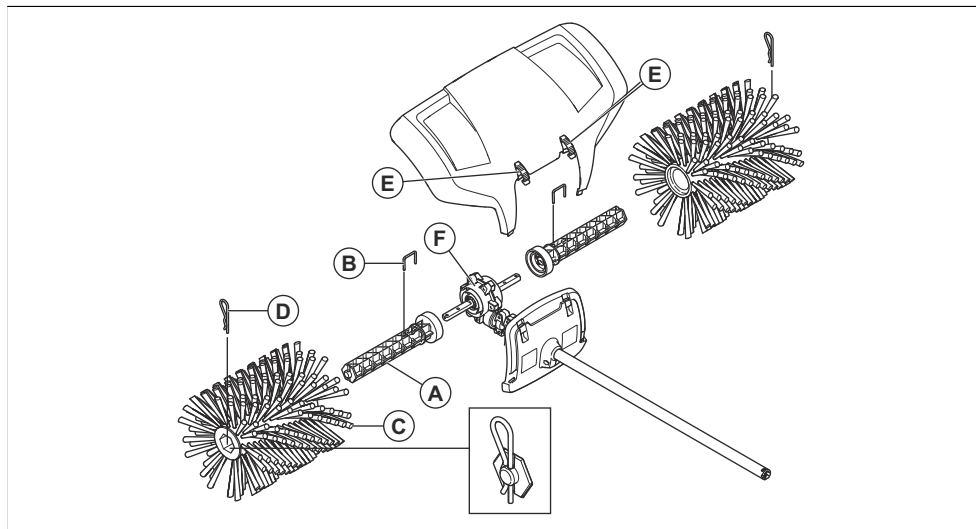


---

## Montaje

---

### Montaje del accesorio



1. Presione uno de los ejes de los cepillos (A) sobre uno de los dos ejes propulsores de la caja de engranajes (F). Gire el eje del cepillo si es necesario, de manera que el orificio del pasador coincida con el orificio correspondiente del eje propulsor.
2. Fije el eje del rodillo con el pasador de bloqueo (B).
3. Coloque uno de los rodillos de cepillo (C) en el eje montado. Presione el rodillo hasta que se detenga.
4. Fije el rodillo en el eje con una chaveta hendida (D). Presione ligeramente el extremo durante el montaje.
5. Repita estos pasos para montar el eje y el rodillo del lado contrario.
6. Monte la protección contra salpicaduras con las fijaciones a presión (E).

**Nota:** Para montar los accesorios en el producto básico, consulte el manual del producto básico.

---

## Funcionamiento

---

### Uso del accesorio

1. Utilice el producto a máxima velocidad (o casi) con el cepillo apoyado en la superficie.

**Nota:** Resulta muy pesado e innecesario levantar o sostener el cepillo por encima de la superficie durante su uso.

---

2. Al limpiar superficies estrechas, como caminos, se puede usar el producto de modo que lance los materiales directamente delante del usuario. Sin embargo, si trabaja en superficies más amplias, tendrá que hacerlo en un ángulo que permita que se formen hileras de material a un lado. Las hileras compuestas por materiales ligeros se pueden recoger en una fila o pila para su posterior retirada, mientras que los materiales más duros o voluminosos es posible que deban recogerse hilera por hilera.



3. Para poder alcanzar las esquinas, desmonte la protección contra salpicaduras, afloje el acoplamiento del accesorio y gire el accesorio media vuelta.



**ADVERTENCIA:** En ese caso, tenga en cuenta que la basura saldrá despedida hacia el usuario. Reduzca la velocidad cuando invierta el producto y recuerde que puede tropezarse con cierta facilidad.

4. Mantenga un ángulo de trabajo cerrado con respecto a la superficie. Un ángulo de trabajo demasiado abierto hace que la barredora tienda a moverse hacia el usuario, por lo que se corre el riesgo de perder el control del producto.



## Mantenimiento

### Introducción

A continuación, se indican algunas instrucciones generales de mantenimiento. Si Ud. necesita mayor información póngase en contacto con el taller de servicio.

### Mantenimiento del accesorio

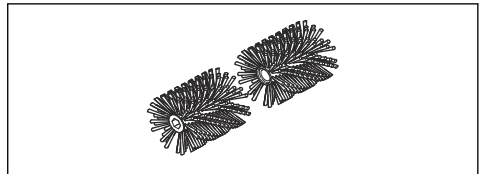


**PRECAUCIÓN:** El accesorio funciona en entornos donde hay suciedad. Si el producto es de gasolina, es muy importante realizar el mantenimiento del filtro de aire con regularidad. Debe lubricar el filtro de aire para que funcione correctamente. Consulte el manual de usuario de la unidad de alimentación para conocer las instrucciones de mantenimiento.



**ADVERTENCIA:** Después de trabajar con el producto, la caja de engranajes está caliente. No toque el engranaje para evitar quemaduras.

1. Compruebe que los cepillos no giran al soltar el acelerador/gatillo de alimentación.



2. Compruebe que los cepillos no estén dañados ni presenten grietas. Cambie los cepillos si es necesario.

3. Cuelgue el cepillo cuando se vaya a almacenar durante mucho tiempo.

## Transporte, almacenamiento y eliminación

### Transporte y almacenamiento

Antes del almacenaje prolongado, limpie bien el equipo y haga el servicio completo.

Si se transporta el equipo en otro vehículo, utilice siempre dispositivos de sujeción homologados y compruebe que el equipo está bien sujeto.

## Datos técnicos

### Datos técnicos de los productos de gasolina

| Cepillo de púas  | BR600   |
|--|---------|
| Ancho del cepillo, mm  | 597     |
| Diámetro del cepillo, mm   | 270     |
| <b>Peso</b>  |         |
| Peso, kg   | 5,3     |
| <b>Emisiones de ruido</b> <sup>37</sup>  |         |
| Nivel de potencia acústica medida, dB(A)   | 106     |
| Nivel de potencia acústica garantizado $L_{WA}$ dB(A)  | 110     |
| <b>Niveles acústicos</b> <sup>38</sup>   |         |
| Nivel de presión sonora equivalente en el oído del usuario, medido según EN ISO 22868, dB(A):          | 94      |
| <b>Vibraciones</b> <sup>39</sup>   |         |
| Niveles de vibración equivalentes ( $a_{hv,eq}$ ) en los mangos, medidos conforme a ISO 22867, $m/s^2$ |         |
| Mango delantero/trasero  | 3,7/6,2 |

### Datos técnicos de los productos con batería

| <b>325iLK + Accesorio de cepillo de púas BR600</b> |     |
|--|-----|
| Ancho del cepillo, mm                              | 597 |

<sup>37</sup> Emisiones sonoras en el entorno medidas como potencia acústica ( $L_{WA}$ ) según la directiva CE 2000/14/CE. El nivel referido de potencia sonora de la máquina se ha medido con el equipo de corte original que produce el nivel más elevado. La diferencia entre la potencia sonora garantizada y medida es que la potencia sonora garantizada también incluye la dispersión en el resultado de la medición y las variaciones entre diferentes máquinas del mismo modelo, según la directiva 2000/14/CE.

<sup>38</sup> Los datos referidos al nivel de presión sonora equivalente de la máquina tienen una dispersión estadística típica (desviación típica) de 1 dB(A).

<sup>39</sup> Los datos referidos al nivel de vibración tienen una dispersión estadística habitual (desviación típica) de  $1 m/s^2$ .

|   |           |
|---|-----------|
| <b>325iLK + Accesorio de cepillo de púas BR600</b>                                  |           |
| Diámetro del cepillo, mm  | 270       |
| <b>Peso</b>   |           |
| Peso, kg  | 2,3 + 5,3 |
| <b>Emisiones de ruido</b> <sup>40</sup>   |           |
| Nivel de potencia acústica, dB(A) medidos   | 90        |
| <b>Niveles acústicos</b> <sup>41</sup>  |           |
| Nivel de presión sonora en el oído del usuario, medido conforme a ISO 22868, dB(A): | 80        |
| <b>Vibraciones</b> <sup>42</sup>  |           |
| Niveles de vibración en los mangos, medidos conforme a EN 62841-1, m/s <sup>2</sup> |           |
| Equipado con accesorio homologado (original), izquierda/derecha                     | 3,3/3,1   |

<sup>40</sup> Los datos relativos al nivel de potencia sonora de la máquina tienen una dispersión estadística habitual (desviación estándar) de 3 dB(A) y se han medido con el accesorio original que produce el nivel más elevado.

<sup>41</sup> Los datos relativos al nivel de presión sonora de la máquina tienen una dispersión estadística habitual (desviación estándar) de 3 dB(A) y se han medido con el accesorio original que produce el nivel más elevado.

<sup>42</sup> Los datos referidos del nivel de vibración presentan una dispersión estadística habitual (desviación típica) de 2 m/s<sup>2</sup>. Para comparar los niveles de vibraciones en los productos con batería y los productos de combustión, utilice la calculadora de vibraciones: <https://www.husqvarna.com/uk/services-solutions/vibration-calculator/>.

# Declaración de conformidad

## Declaración de conformidad CE

Nosotros, **Husqvarna AB**, SE-561 82 Huskvarna (Suecia), tel. +46-36-146500, declaramos bajo nuestra exclusiva responsabilidad que el producto:

|                       |  |
|-----------------------|--|
| <b>Descripción</b>    | Accesorio de cepillo de cerdas         |
| <b>Marca</b>          | Husqvarna                              |
| <b>Tipo/Modelo</b>    | BR600                                  |
| <b>Identificación</b> | Números de serie a partir del año 2022 |

Cumple las siguientes directivas y normas de la UE:

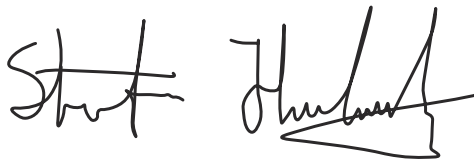
| <b>Directiva/Norma</b> | <b>Descripción</b>  |
|------------------------|---|
| 2006/42/CE             | "relativa a las máquinas"   |
| 2000/14/CE             | "relativa a las emisiones sonoras en el entorno"  |
| 2011/65/UE             | "relativa a restricciones de utilización de determinadas sustancias peligrosas en aparatos eléctricos y electrónicos" |

Y que se aplican las especificaciones técnicas o los estándares siguientes: EN ISO 12100:2010, EN IEC 63000:2018

RISE SMP Svenska Maskinprovning AB, Box 7035, SE-750 07 Uppsala, Sweden ha llevado a cabo un examen voluntario para Husqvarna AB.

Número de certificado: SEC/15/2412

Huskvarna, 2022-03-29



Stefan Holmberg, Director de I+D, Gestión de tecnología, Husqvarna AB

Responsable de la documentación técnica



## Sisukord

|                   |    |  |    |
|-------------------|----|--|----|
| Sissejuhatus..... | 70 | Hooldamine.....                                    | 75 |
| Ohutus.....       | 71 | Transportimine, hoiulepanek ja utiliseerimine..... | 76 |
| Kokkupanek.....   | 74 | Tehnilised andmed.....                             | 76 |
| Töö.....          | 74 | Vastavusdeklaratsioon.....                         | 78 |

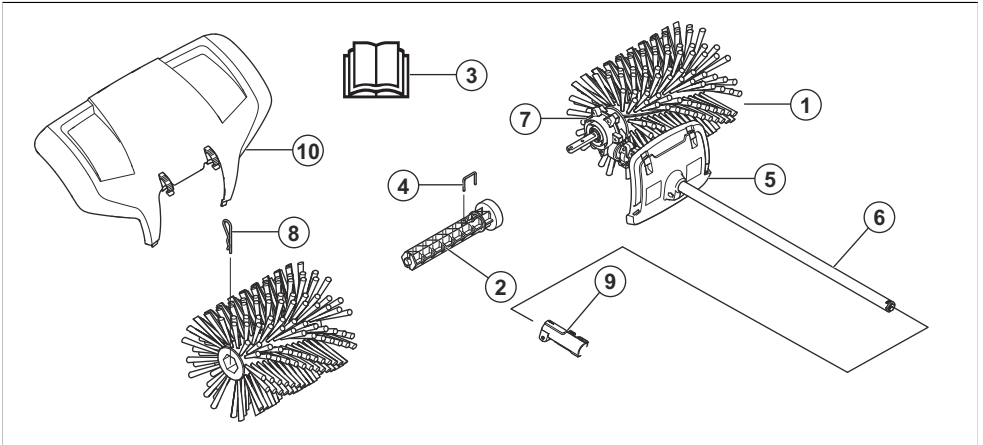
## Sissejuhatus

### Toote kirjeldus

Tegeleme pidevalt oma toodete edasiarendamisega ning seetõttu jätame endale õiguse muuta toodete disaini ja välimust ilma sellest ette teatamata.

**Märkus:** Selles juhendis käsitletakse nii bensiini- kui ka akutoitega jõuseadmeid.

### Lisatarviku ülevaade



1. Harja trummel
2. Trummlil võll
3. Kasutusjuhend
4. Splint
5. Kaitse (varrekaitse)
6. Vars
7. Ülekanne
8. Splint
9. Varre ühendusülili (tootega kaasas)
10. Pritsmekaitse

### Kasutusotstarve



**HOIATUS:** Seda lisatarvikut võib kasutada ainult koos sellele sobiva tootega, vt lisatarviku peatükki toote kasutusjuhendis.

Lisatarvik on mõeldud üksnes teeradade, asfaltteede jms pühkimiseks.

### Lisatarvikul ja jõuseadmel olevad sümbolid



Selle lõikeosa hooletu või väär käsitlemine võib põhjustada operaatoreid või teiste isikute vigastuse või hukkumise.



Lugege enne lõikeosa kasutamist kasutusjuhend tähelepanelikult läbi ja veenduge, et oleksite juhistest aru saanud.





Kandke heakskiidetud kõrvaklappe.  
Kandke heakskiidetud kaitseprille.  
Tolmu tekkimise ohu korral kasutage hingamiskaitset.



Hoidke seadme kasutamise ajal inimestest ja loomadest vähemalt 15 m kaugusele.



See lõikeosa vastab EL-i kehtivatele direktiividele.



Hoidke kõik kehaosad kuumadest pindadest eemal.



See toode vastab kehtivatele UK direktiividele.



Müraemissioonile viitav keskkonnasilt vastavalt ELi ja UK direktiividele ja määrustele ja Uus Lõuna-Walesi õigusaktile „Protection of the Environment Operations (Noise Control) Regulation 2017“. Toote garanteeritud helivõimsuse taseme andmed leiate jaotisest *Tehnilised andmed lk 76* ja sildil.



Pöörlevad osad. Hoidke käed ja jalad eemal. Nool tähistab pöörlemissuunda.



Kasuta alati heakskiidetud kaitsekindaid.



Kandke tugevaid, mittelibisevaid saapaid.



Olge ettevaatlik - eemalpaiskuvad esemed ning tagasipõrkumise oht.



Kasutaja peab veenduma, et ühtegi inimest ega looma poleks lähemal kui 15 m. Kui samas töökohas töötab mitu kasutajat, kehtib kõigile ohutu vahemaa 15 m. Lõikeosa võib jõuliselt liigutada objekte, mis võivad tagasi põrkuda. Soovitusliku ohutusvarustuse mittekasutamisel võib see põhjustada tõsiseid silmavigastusi.

## Ohutus

### Ohutuse määratlused

Mõistetega „hoiatus“, „ettevaatus“ ja „märkus“ juhitakse tähelepanu eriti olulistele kohtadele kasutusjuhendis.



**HOIATUS:** Tähistab kasutusjuhendi juhiste eiramise korral kasutaja või kõrvalseisjate kehavigastuse või surmaga lõppeva õnnetuse ohtu.



**ETTEVAATUST:** Tähistab kasutusjuhendi juhiste eiramise korral toote ja/või tarviku, muude esemete või läheduses asuvate objektide kahjustamise ohtu.

**Märkus:** Tähistab antud olukorras vajalikku lisateavet.

### Üldised ohutuseeskirjad



**HOIATUS:** Enne lisatarviku kasutamist lugege läbi järgmised ohutuseeskirjad.

- Lugege enne lõikeosa kasutamist kasutusjuhend tähelepanelikult läbi ja veenduge, et olete istu juhistest aru saanud.

- Need juhised täiendavad tootega kaasas olevaid juhiseid. Muude protseduuride osas kasutage palun toote kasutusjuhendeid.
- Lisatarviku alget konstruktsiooni ei tohi ilma tootja loata muuta. Ärge kasutage lisatarvikut, kui tundub, et teised on seda muutnud, ja kasutage alati originaalilisavarustust. Lubamatud muudatused ja varuosad võivad põhjustada kasutaja ja teiste isikute raskeid või isegi eluohtlikke kehavigastusi.

## Lugege läbi kõik juhised



**HOIATUS:** Kui kasutate elektrilisi aiaseadmeid, tuleb järgida alati põhilisi ohutusabinõusid, et vältida tule-, elektrilöögi- ja tõstise vigastuste ohtu, sh järgmisi.

## Ohutusjuhised kasutamisel



**HOIATUS:** Enne toote kasutamist lugege läbi järgnevad hoiatused.

- Veenduge, et vältide tahtmatut käivitamist toote koostamisel, kontrollimisel ja/või hooldamisel. Kui teil on bensiniitoitega toode, eemaldage süüteküünla kate süüteküünla küljest. Kui teil on akutoitega toode, eemaldage aku.
- Aeg-ajalt võivad muru ja kivid piide vahele kinni jääda. Puhastamise ajaks lülitage alati mootor välja.
- Hoiduge eemalpaiskuvate esemete eest. Kasutage alati kaitseprille. Ärge kummarduge kunagi harja trumli kohale. Kivid ja muud esemed või osakesed võivad lennata silma ja põhjustada ohtlikke kahjustusi või isegi pimedaksjäämist.
- Reduktor võib kasutamisel kuumeneda ja püsida kuumana ka mõni aeg pärast kasutamist. Puudutamisel on oht saada põletada.
- Hoidke tootest käivitamise ajal tugevalt kinni.
- Kuigi harjade trumlid ei pöörle sellise jõuga kui näiteks muruniiduki terad, tuleks vältida töötamist materjalidega, mis võivad tekitada paiskumise korral vigastusi või põhjustada varalist kahju.
- Ärge kunagi kasutage toodet olukordades, kus te ei saa õnnetuse korral abi kutsuda.
- Kasutage seadet ainult ettenähtud otstarbel.
- Ärge kunagi töötage tootega, kui olete väsinud, alkoholi tarvitanud või kui olete saanud ravimit, mis mõjub teie nägemisele, otsustus- või keskendumisvõimele.
- Ärge kasutage toodet eriti rasketes ilmaoludes, väga külma, väga tuulise või niiske ilmaga.
- Ärge kunagi kasutage kahjustatud seadet. Teostage ohutuskontroll ja hooldage seadet korrapäraselt, nagu käsitlemisõpetuses nõutud. Teatud hooldustoiminguid tohib teha ainult vastava väljaõppe saanud spetsialist. Vt juhiseid lõigust „Hooldus“.

- Ärge kunagi lubage lastel toodet kasutada.
- Ärge kunagi lubage kellelgi toodet kasutada enne, kui olete kindel, et ta on kasutusjuhendi läbi lugenud ja selle sisust aru saanud.
- Tagage, et kõrvalised isikud on ohutus kauguses. Lapsed, loomad, pealtvaatajad ja abistajad peavad teie töötamise ajal viibima väljaspool 15-meetrist ohutusstroomi. Seisake seade kohe, kui keegi läheneb.
- Kui olukord on teile tundmatu, katkestage töö ja paluge spetsialistidelt abi ja nõu. Võta ühendust edasimüüja või hoolduspunktiaga.
- Ärge tehke tööd, milleks teil puudub väljaõpe või kogemused.
- Jälgige oma ümbrust tähelepanelikult ja veenduge, et läheduses poleks inimesi või loomi, kes võivad seadmega kokku puutuda või teie kontrolli seadme üle halvendada.
- Kui kasutate kuulmiskaitset, olge tähelepanelik hõigete ja hoiatussignaalide suhtes. Eemaldage kõrvaklapid kohe, kui mootor on seiskunud.
- Ärge kasutage toodet halva ilmaga. Ärge töötage paksu udu, tugeva vihma, tuule või pakase korral. Halva ilmaga töötamine väsitab ja sellega kaasneb muid ohte, nt libe maapind.
- Veenduge, et saate turvaliselt seista ja liikuda.



- Toote teise kohta toimetamisel tuleb mootor välja lülitada.
- Ärge pange töötava mootoriga seadet maha, kui teil pole sellest head ülevaadet.
- Kasutage toote hoidmiseks alati kahte kätt. Hoidke toodet oma keha kõrval.
- Vältige käte ja jalgade sattumist harja lähedale, kui mootor töötab.
- Pärast mootori väljalülitamist hoidke käsi ja jalgu harjast eemal, kuni see on täielikult seiskunud.
- Tugeva vibratsiooni korral seisake toode. Kui teil on bensiniitoitega toode, võtke süütejuhe süüteküünla küljest lahti. Kui teil on akutoitega toode, eemaldage aku. Veenduge, et seade ei oleks kahjustatud. Parandage vajadusel.

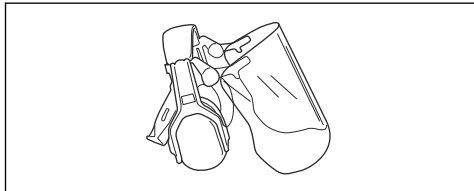
## Isikukaitsevahendid



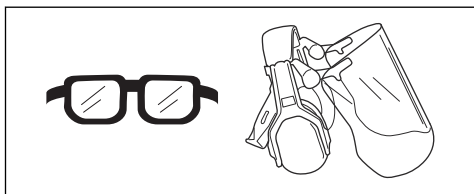
**HOIATUS:** Enne seadme kasutamist lugege läbi järgnevad hoiatused.



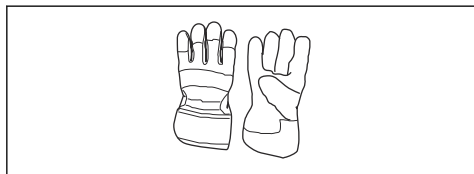
- Seadmega töötamisel tuleb kasutada ettenähtud isikukaitsevarustust. Isikukaitsevarustus ei välista täielikult kehavigastuste ohtu, kuid vähendab õnnetusjuhtumi korral kehavigastuse raskusastet. Õige varustuse valimiseks pöörduge edasimüüja poole.
- Kandke alati sobiva summutusvõimega kuulmiskaitsemeid. Pikaajaline müra võib tekitada püsiva kuulmiskahjustuse.



- Kandke heakskiidetud kaitseprille. Näokaitsme kasutamisel tuleb lisaks kasutada heakskiidetud kaitseprille. Heakskiidetud kaitseprillide all mõeldakse selliseid prille, mis vastavad standardidele ANSI Z87.1 USA-s või EN 166 Euroopa Liidu riikides.



- Vajaduse korral kandke kaitsekindaid, näiteks liikeosa kinnitades, kontrollides või puhastades.



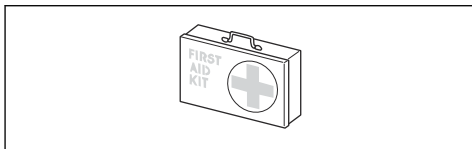
- Kandke terasest varbakatete ja libisemist takistavate taldadega kaitseasaapaid.



- Kandke vastupidavast materjalist riideid. Kandke alati pikki raskeid pükse ja pikki varrukaid. Hoiduge liiga avaratest rõivastest, mis võivad okstesse takerduda. Ärge kandke ehteid, lühikesi pükse,

lahtiseid jalatseid ega käige paljajalu. Kinnitage juuksed ohutult õlgadest kõrgemale.

- Hoidke esmaabikomplekt käepärast.



## Lisatarviku ohutusseadised



**HOIATUS:** Enne seadme kasutamist lugege läbi järgmised hoiatusjuhised.

Selles alalõigus kirjeldatakse lisatarviku ohutusfunktsioone, selle otstarvet ning seda, kuidas läbi viia kontrollid ja hooldust, et tagada toote nõuetekohane töö. Peatükist *Lisatarviku ülevaade lk 70* näete, kus need osad teie lisatarvikul paiknevad.

Kui lisatarvikut ei hooldata õigesti ja korrapäraselt ning seda ei paranda asjatundja, võib lüheneda seadme tööiga ja suureneda õnnetuste oht. Kui vajate täiendavat infot, pöörduge lähimasse teenindusse.



**HOIATUS:** Ärge kasutage lisatarvikut, kui selle turvavarustus pole täiesti korras. Ohutusvarustust tuleb käesolevas lõigus toodud eeskirjade kohaselt hooldada ja kontrollida. Kui lisatarvik ei vasta ohutusnõuetele, laske see parandada hooldustöökojas.



**HOIATUS:** Toote hooldus ja parandamine nõuab eraldi väljaõpet. Eriti oluline on see toote ohutusvarustuse puhul. Kui toode ei vasta allpool toodud nõuetele, võtke ühendust hooldustöökojaga. Meie toodetele on tagatud professionaalne hooldus ja parandus. Kui toote müüja ei tegele hooldusega, paluge teda juhatada teid lähimasse hooldustöökotta.

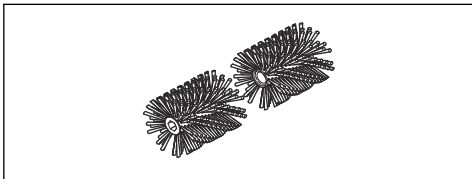
## Ohutusjuhised hooldamisel



**HOIATUS:** Enne lisatarviku hooldamist lülitage toode alati välja. Olge ettevaatlik, sest lisatarvik võib liikumist jätkata peale gaasihoova/toitelüliti vabastamist. Veenduge, et lisatarvik on täielikult seisunud. Kui teil on bensiinitoitega toode, võtke süütejuhtmed süüteküünla küljest lahti. Kui teil on akutoitega toode, eemaldage aku.

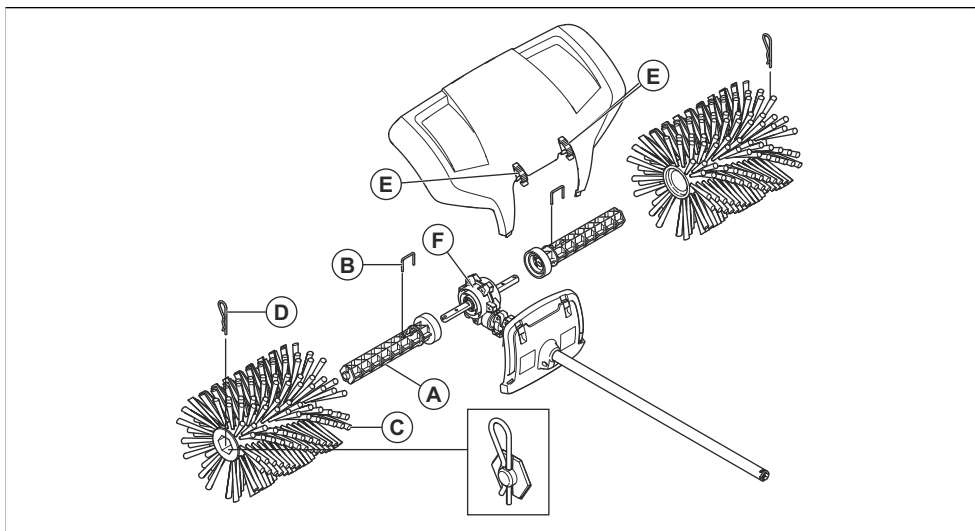
- Enne alustamist kontrollige kogu toodet. Vahetage välja kahjustatud osad.

- Veenduge, et kõik kaitsed ja katted on terved ja õigesti kinnitatud. Kontrollige kõiki mutreid ja kruvisid.
- Kui teil on bensiinimootoriga toode, veenduge, et sellel poleks kütuselekked.
- Veenduge, et harjade trumlid on terved ja nendel pole pragusid ega muid kahjustusi.



## Kokkupanek

### Lisatarviku paigaldamine



1. Suruge üks trumli võlli (A) ühe reduktorist (F) väljuva veovõlli otsa. Vajaduse korral pöörake trumli võlli nii, et splindi ava ja veovõllil olev ava oleksid kohakuti.
2. Kinnitage juhtrull splindi (B) abil.
3. Asetage üks harjarull (C) paigaldatud võlli otsa. Suruge rull lõpuni.
4. Kinnitage rull splindi (D) abil võlli külge. Suruge rulli otsa kinnitamisel veidi sissepoole.

5. Korrake neid samme võlli ja rulli paigaldamiseks teisele poole.
6. Kinnitage pritsmekaitse klõpsklambrite (E) abil.

**Märkus:** Lisatarvikute paigaldamist põhitootele vaadake põhitoote kasutusjuhendist.

## Töö

### Lisatarviku kasutamine

1. Laske tootel töötada täisgaasil/-kiirusel (või peaaegu täisgaasil/-kiirusel), nii et hari toetub maha.

**Märkus:** Töötamise ajal on harja ülestõstmine või maast kõrgemal hoidmine väsitav ja ebavajalik.

2. Kitsaste pindade (nt teed) puhastamisel saab toodet kasutada nii, et see paiskab materjale ettepoole. Kui soovite töötada laiematel pindadel, võib olla vajalik töötada nurga all, et materjalid koguneksid ühele küljele. Kergete materjalide jäägid saab koguda ühte ritta või kuhja hilisemaks kõrvaldamiseks, samas võib kõvade ja kogukamate materjalide puhul olla vajalik mitmesse kuhja kogumine.



3. Nurkadele juurdepääsemiseks eemaldage pritsmekaitse, vabastage lisatarviku kinnitus ja pöörake lisatarvikut pool pöoret.



**HOIATUS:** Seejärel paisatakse praht tagasi kasutaja poole. Toote pöörlemissuuna muutmisel kasutage aeglasemat kiirust ning olge ettevaatlik, sest komistada võib kergesti.

4. Säilitage pinnaga väike töötamisnurk. Liiga laia töötamisnurga korral kipub pühkija teie poole liikuma ja võib põhjustada toote juhitavuse kaotamist.



## Hooldamine

### Sissejuhatus

Allpool on toodud üldised hoolduseeskirjad. Täpsema teabe saamiseks pöörduge hooldustöökotta.

### Lisatarviku hooldamine

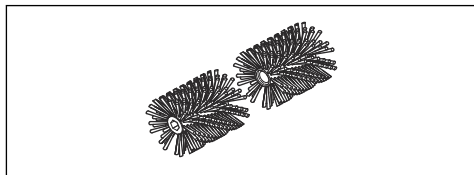


**ETTEVAATUST:** Lisatarvikut kasutatakse määratud kohtades. Kui kasutate bensiinitoilet toodet, siis on väga oluline õhufiltrit regulaarselt hooldada. Õhufilter peab olema rahuldavaks tööks määratud õliga. Vt toiteseadme kasutusjuhendi hooldusjuhendeid.



**HOIATUS:** Toote kasutamisel muutub ülekannet tuliseks. Ärge puudutage ülekannet, sest see võib tekitada põletust.

1. Veenduge, et harjade trumlid ei liigu, kui gaasihoob/toitelüliti lahti lastakse.



2. Veenduge, et harjade trumlid pole kahjustatud või pragunenud. Vajaduse korral asendage harjade trumlid.
3. Pikaajalisel hoiundamisel asetage hari rippuma.

# Transportimine, hoiulepanek ja utiliseerimine

## Transport ja hoiustamine

Kui transpordite lisatarvikut teises sõidukis, kasutage alati ettenähtud kinnitusseadmeid ja veenduge, et lisatarvik oleks kindlalt kinnitatud.

Enne pikemaajalist hoiustamist tuleb lisatarvik korralikult puhastada ja hooldada.

## Tehnilised andmed

### Tehnilised andmed bensiinitoitega toodete kohta

|   |              |
|---|--------------|
| <b>Hari</b>   | <b>BR600</b> |
| Harja trumli laius, mm  | 597          |
| Harja trumli läbimõõt, mm   | 270          |
| <b>Mass</b>   |              |
| Kaal, kg  | 5,3          |
| <b>Müratasemed</b> <sup>43</sup>  |              |
| Helivõimsuse tase, mõõdetud dB(A)   | 106          |
| Helivõimsuse tase, garanteeritud L <sub>WA</sub> dB(A)  | 110          |
| <b>Müratase</b> <sup>44</sup>   |              |
| Ekvivalentne mürarõhutase kasutaja kõrva juures, mõõdetud EN ISO 22868 järgi, dB(A):                                      | 94           |
| <b>Vibratsioonitasemed</b> <sup>45</sup>  |              |
| ISO 22867 järgi mõõdetud käepidemete ekvivalentsed vibratsioonitasemed (a <sub>h<sub>v</sub>,eq</sub> ), m/s <sup>2</sup> |              |
| Eesmised/tagumised käepidemed   | 3,7/6,2      |

### Tehnilised andmed akutoitega toodete kohta

|                                  |     |
|----------------------------------|-----|
| <b>325iLK + Harjaseade BR600</b> |     |
| Harja trumli laius, mm           | 597 |
| Harja trumli läbimõõt, mm        | 270 |
| <b>Mass</b>                      |     |

<sup>43</sup> Müraemissioon ümbritsevasse keskkonda, mõõdetud helivõimsuse tasemenähtena (L<sub>WA</sub>) vastavalt EÜ direktiivile 2000/14/EÜ. Seadme antud müratase mõõdeti enim müra tekitava originaalsaagimis-seadme kasutamisel. Erinevus garanteeritud ja mõõdetud helivõimsustaseme vahel seisneb selles, et direktiivi 2000/14/EÜ alusel hõlmab garanteeritud helivõimsustase ka mõõtmistulemuste dispersiooni ja kõrvalekaldeid sama mudeli erinevate seadmete vahel.

<sup>44</sup> Antud andmetel seadme helitugevuse taseme ekvivalendi kohta on statistiline tüüpiline 1 dB(A) (standardne kõrvalekalle).

<sup>45</sup> Ekvivalentse vibratsioonitaseme kohta toodud andmete tüüpiline statistiline dispersioon (standardhälve) on 1 m/s<sup>2</sup>.

|  |          |
|--|----------|
| <b>325iLK + Harjaseade BR600</b>   |          |
| Kaal, kg   | 2,3/+5,3 |
| <b>Müraemissioon</b> <sup>46</sup>   |          |
| Helivõimsuse tase, mõõdetud dB(A)  | 90       |
| <b>Müratase</b> <sup>47</sup>  |          |
| Helirõhutase kasutaja kõrva juures, mõõdetud ISO 22868 järgi, dB(A)          | 80       |
| <b>Vibratsioonitasemed</b> <sup>48</sup>                                     |          |
| Käepidemete vibratsioonitasemed, mõõdetud EN 62841-1 järgi, m/s <sup>2</sup> |          |
| Originaalse vasak-/parempoolse heakskiidetud lisatarvikuga                   | 3,3/3,1  |

<sup>46</sup> Antud andmetel seadme helivõimsusetaseme ekvivalendi kohta on statistiline tüüplevi 3 dB(A) (standardne kõrvalekalle) ja on mõõdetud originaalse löikeosaga, mis annab kõrgeima taseme.

<sup>47</sup> Antud andmetel seadme helirõhutase ekvivalendi kohta on statistiline tüüplevi 3 dB(A) (standardne kõrvalekalle) ja on mõõdetud originaalse löikeosaga, mis annab kõrgeima taseme.

<sup>48</sup> Vibratsioonitaseme kohta toodud andmete tüüpiline statistiline dispersioon (standardhälve) on 2 m/s<sup>2</sup>. Akuga ja põlemismootoriga seadmete vibratsioonitasemete võrdlemiseks kasutatakse vibratsioonikalkulaatorit. <https://www.husqvarna.com/uk/services-solutions/vibration-calculator/>.

# Vastavusdeklaratsioon

## EÜ vastavusdeklaratsioon

Husqvarna AB, SE-561 82 Huskvarna, Rootsi, tel: +46  
3614 6500, kinnitab ainuvastutusel, et toode:

|                           |                                    |
|---------------------------|------------------------------------|
| <b>Kirjeldus</b>          | Harja kinnitus                     |
| <b>Kaubamärk</b>          | Husqvarna                          |
| <b>Tüüp/mudel</b>         | BR600                              |
| <b>Identifitseerimine</b> | Seerianumbrid alates 2022. aastast |

vastab täielikult järgmistele EÜ direktiividele ja määrustele:

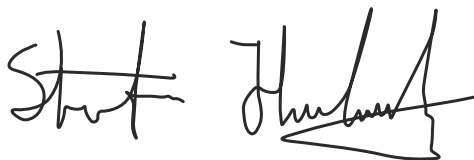
| Direktiiv/eeskiri | Kirjeldus   |
|-------------------|---|
| 2006/42/EÜ        | „masinadirektiiv“   |
| 2000/14/EÜ        | „seadmete müra kohta käiv direktiiv“  |
| 2011/65/EL        | „elektri- ja elektroonikaseadmetes teatavate ohtlike ainete kasutamise piiramise direktiiv“ |

ja et kohalduvad järgmised standardid ja/või tehnilised spetsifikatsioonid: EN ISO 12100:2010, EN IEC 63000:2018

RISE SMP Svenska Maskinprovning AB, Box 7035, SE-750 07 Uppsala, Sweden on teinud Husqvarna AB tellimisel vabatahtliku tüübihindamise.

Serdi number: SEC/15/2412

Huskvarna, 2022-03-29



Stefan Holmberg, uurimis- ja arendustegevuse juht,  
tehnoloogiahooldus, Husqvarna AB

Tehnilise dokumentatsiooni eest vastutaja



## Sisällys

|                   |    |   |    |
|-------------------|----|---|----|
| Johdanto.....     | 79 | Huolto.....                                       | 84 |
| Turvallisuus..... | 80 | Kuljettaminen, säilyttäminen ja hävittäminen..... | 85 |
| Asentaminen.....  | 83 | Tekniset tiedot.....                              | 85 |
| Käyttö.....       | 84 | Vaatimustenmukaisuusvakuutus.....                 | 87 |

## Johdanto

### Tuotekuvaus

Kehitämme jatkuvasti tuotteitamme ja pidätämme siksi itsellämme oikeuden muuttaa tuotteiden muotoa ja ulkonäköä ilman ennakoilmoitusta.

**Huomautus:** Tässä käyttöohjeessa käsitellään sekä bensiini- että akkukäyttöisiä laitteita.

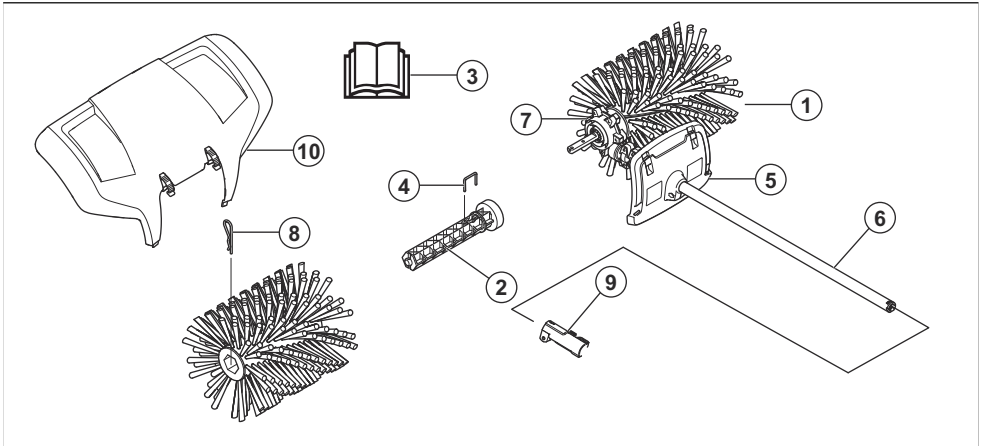
### Käyttötarkoitus



**VAROITUS:** Tätä lisälaitetta saa käyttää vain sille tarkoitettussa laitteessa. Katso laitteen käyttöohjekirjan lisävarusteita käsittelevä luku.

Lisälaitte on tarkoitettu ainoastaan käytävien, asfalttiteiden ja vastaavien harjaamiseen.

### Lisälaitteen yleiskatsaus



1. Harjarumpu
2. Rummun akseli
3. Käyttöohje
4. Lukkotappi
5. Suojus (runkoputken suojaus)
6. Runkoputki
7. Vaihekotelo
8. Saksisokka
9. Runkoputken liitin (toimitetaan tuotteen mukana)
10. Roiskesuojus

### Lisälaitteen ja käyttöagregaatin symbolit



Tämän lisälaitteen huolimaton käyttö tai väärinkäyttö voi aiheuttaa käyttäjälle tai sivullisille vakavia vammoja tai kuoleman.



Lue käyttöohje huolellisesti ja varmista, että ymmärrät sen sisällön, ennen kuin alat käyttää lisälaitetta.





Käytä hyväksytyjä kuulonsuojaimia. Käytä hyväksytyjä suojalaseja. Käytä hengityssuojainta, jos on olemassa pölyvaara.



Tämä lisälaitte täyttää sovellettavien EY-direktiivien vaatimukset.



Tämä tuote täyttää sovellettavien UK-säädösten vaatimukset.



Pyöriviä osia. Pidä kädet ja jalat poissa niiden läheltä. Nuoli osoittaa pyörimissuunnan.



Käytä aina hyväksytyjä suojakäsineitä.



Käytä luistamattomia ja tukevia jalkineita.



Varo sinkoutuvia esineitä ja kimmokkeita.



Käyttäjän on varmistettava, että ihmiset ja eläimet ovat vähintään 15 metrin päässä laitteesta. Kun useita käyttäjiä työskentelee samalla työalueella, on käytettävä vähintään 15 metrin turvaetäisyyttä. Lisälaitte voi singota rajulla voimalla esineitä, jotka voivat kimmota takaisin. Se voi johtaa vakaviin silmävammoihin, mikäli suositeltuja suojaimia ei käytetä.



Pysy vähintään 15 metrin / 50 jalan etäisyydellä ihmisistä ja eläimistä tuotteen käytön aikana.



Pidä kaikki kehon osat poissa kuumilta pinoilta.



Melupäästöt ympäristöön -tarra EU:n ja Yhdistyneen kuningaskunnan direktiivien ja säädösten mukaisesti sekä Uuden Etelä-Walesin "Protection of the Environment Operations (Noise Control) Regulation 2017" -asetuksen mukaisesti. Tuotteen taattu äänentehotaso on määritelty kohdassa *Tekniset tiedot sivulla 85* ja arvokilvessä.

**Huomautus:** Muita lisälaitteen tunnuksia/tarroja tarvitaan tietyillä markkina-alueilla ilmaisemaan erityisiä sertifiointivaatimuksia.

## Turvallisuus

### Turvallisuusmääritelmät

Varoituksia, huomioita ja huomautuksia käytetään, kun jotakin käyttöohjeen osaa halutaan erityisesti korostaa.



**VAROITUS:** Tätä käytetään, jos käyttöohjeen noudattamatta jättämisestä voi seurata käyttäjän tai sivullisen vamma tai kuolema.



**HUOMAUTUS:** Tätä käytetään, jos käyttöohjeen noudattamatta jättämisestä voi

seurata tuotteen ja/tai lisälaitteen, muiden materiaalien tai ympäristön vaurioituminen.

**Huomautus:** Tätä käytetään tietyissä tilanteissa tarvittavien lisätietojen antamiseen.

### Yleiset turvaohjeet



**VAROITUS:** Lue seuraavat turvaohjeet ennen lisälaitteen käyttämistä.



- Lue käyttöohje huolellisesti ja varmista, että ymmärrät sen sisällön, ennen kuin alat käyttää lisälaitetta.
- Nämä ohjeet täydentävät laitteen mukana toimitettuja ohjeita. Katso muita toimenpiteitä koskevat ohjeet laitteen käyttöohjeista.
- Lisälaitteen rakennetta ei missään tapauksessa saa muuttaa ilman valmistajan lupaa. Älä käytä lisälaitetta, mikäli epäilet jonkun muun tehneen siihen muutoksia. Käytä aina alkuperäisiä lisävarusteita. Hyväksymättömien muutosten ja/tai lisävarusteiden käyttö voi aiheuttaa käyttäjälle tai muille vakavia vahinkoja tai kuoleman.

## Lue kaikki ohjeet



**VAROITUS:** Sähkökäyttöisiä puutarhayökaluja käytettäessä on aina noudatettava yleisiä turvaohjeita, jotka vähentävät tulipalon, sähköiskun ja henkilövahinkojen vaaraa ja joita ovat esimerkiksi seuraavat:

## Turvallisuusohjeet käyttöä varten



**VAROITUS:** Lue seuraavat varoitusohjeet ennen laitteen käyttämistä.

- Estä tahaton käynnistyminen, kun kokoat tai tarkastat laitetta ja/tai teet huoltotöitä. Jos laite on bensiinikäyttöinen, irrota sytytystulpan suojeus sytytystulpasta. Jos laite on akkukäyttöinen, irrota akku.
- Piikkeihin voi jäädä kiinni ruohoa ja kiviä. Sammuta moottori aina, kun poistat niitä
- Varo sinkoutuvia esineitä. Pidä aina silmäsuojia. Älä kumarru harjarummun yläpuolelle. Kivet, roskat yms. saattavat sinkoutua silmiin ja aiheuttaa sokeutumisen tai vakavia vahinkoja.
- Vaihde voi olla kuuma käytön aikana ja jonkin aikaa sen jälkeen. Koskettaminen voi aiheuttaa palovamman.
- Pidä laitteesta tukevasti kiinni, kun käynnistät sen.
- Vaikka harjarumpujen voima ei ole yhtä suuri kuin esimerkiksi ruohonleikkurin terien, niillä ei kannata työstää materiaaleja, jotka voivat sinkoutuessaan aiheuttaa henkilö- tai omaisuusvahinkoja.
- Älä käytä laitetta niin, ettei sinulla onnettomuustapauksessa ole mahdollisuutta kutsua apua.
- Käytä laitetta vain sille tarkoitettuihin töihin.
- Älä koskaan käytä laitetta, jos olet väsynyt, nauttinut alkoholia tai lääkkeitä, jotka voivat vaikuttaa näkökykyysi, harkintakykyysi tai kehosi hallintaan.
- Älä koskaan käytä laitetta äärimmäisissä ilmasto-olosuhteissa, kuten kovassa pakkasessa tai erittäin lämpimässä ja/tai kosteassa ilmastossa.

- Älä koskaan käytä viallista laitetta. Noudata tässä käyttöohjeessa annettuja turvallisuustarkastuksia, kunnossapitoa ja huoltoja koskevia ohjeita.
- Tietety kunnossapito- ja huoltotyöt on annettava koulutettujen ja pätevien asiantuntijoiden tehtäviksi. Katso ohjeet kohdasta Kunnossapito.
- Älä koskaan anna lasten käyttää laitetta.
- Älä koskaan anna kenenkään käyttää tuotetta varmistamatta ensin, että käyttäjä on lukenut ja ymmärtänyt käyttöohjeen sisällön.
- Pidä sivulliset turvallisen välimatkan päässä. Lasten, eläinten, sivullisten ja apulaisten on pysyttävä 15 metrin turvaetäisyydellä työskentelyn aikana. Sammuta laite välittömästi, jos joku tulee lähemmäs.
- Jos käytön jatkaminen tuntuu epävarmalta, kysy neuvoa asiantuntijalta. Kääny jälleenmyyjäsi tai huoltoiliikkeesi puoleen.
- Älä tee mitään sellaista, mihin et katso taitosi riittävän.
- Tarkkaile ympäristöä ja varmista, ettei laite pääse osumaan ihmisiin tai eläimiin. Varmista myös, etteivät ihmiset tai eläimet pääse vaikuttamaan laitteen hallintaan.
- Tarkkaile aina varoitussignaaleja ja -huutoja kuulonsuojaimia käyttäessäsi. Riisu kuulonsuojaimet välittömästi moottorin pysäytyksen jälkeen.
- Älä käytä laitetta huonoissa sääolosuhteissa, kuten erittäin sumuisella tai sateisella säällä, kovalla tuulella tai erittäin kylmällä säällä. Käyttö huonoissa sääolosuhteissa on väsyttävää ja siihen liittyy usein riskitekijöitä, kuten jäinen alusta.
- Varmista, että voit siirtyä ja seisoa turvallisesti.



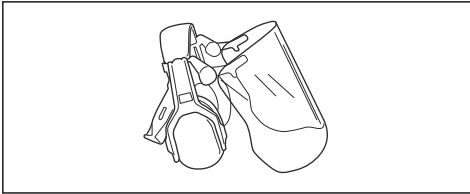
- Siirtymisen ajaksi laite on sammutettava.
- Älä laske laitetta maahan moottorin käydessä, jos et pysty valvomaan sitä koko ajan.
- Pidä laitteesta aina molemmin käsin kiinni. Pidä laitetta kehon sivulla.
- Pidä kädet ja jalat etäällä harjasta, kun moottori on käynnissä.
- Kun moottori on sammutettu, pidä kädet ja jalat etäällä harjasta, kunnes se on täysin pysähtynyt.
- Jos laite alkaa tärästä voimakkaasti, pysäytä laite. Jos laite on bensiinikäyttöinen, irrota sytytysjohto sytytystulpasta. Jos laite on akkukäyttöinen, irrota akku. Varmista, ettei laite ole vaurioitunut. Korjaa mahdolliset vauriot.

## Henkilökohtainen suojarustus

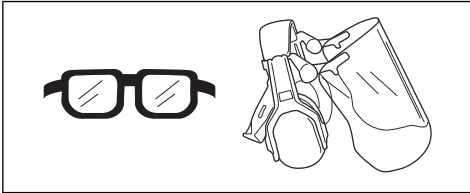


**VAROITUS:** Lue seuraavat varoitushjeet ennen laitteen käyttämistä.

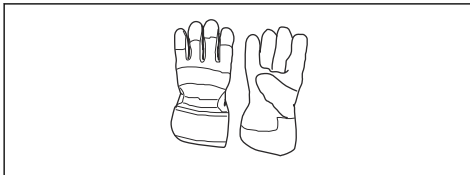
- Käytä aina hyväksytyjä henkilökohtaisia suojarusteita, kun käytät laitetta. Henkilökohtaiset suojarusteet eivät poista tapaturmien vaaraa, mutta ne lieventävät vammoja onnettomuustilanteessa. Anna jälleenmyyjän auttaa oikeiden varusteiden valinnassa.
- Käytä riittävän tehokkaasti vaimentavia hyväksytyjä kuulonsuojaimia. Pitkäaikainen altistuminen melulle saattaa aiheuttaa pysyviä kuulovammoja.



- Käytä hyväksytyjä silmäsuojaimia. Visiiriä käytettäessä on käytettävä myös hyväksytyjä suojalaseja. Hyväksytyillä suojalaseilla tarkoitetaan laseja, jotka täyttävät standardin ANSI Z87.1 (Yhdysvallat) tai EN 166 (EU-maat) vaatimukset.



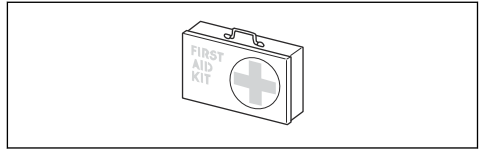
- Käytä käsineitä tarvittaessa esimerkiksi terävarustuksen asennuksen, tarkastuksen ja puhdistuksen aikana.



- Käytä turvajalkineita, joissa on teräskärjet ja luistamattomat pohjat.



- Käytä lujasta materiaalista valmistettuja vaatteita. Käytä aina vahvakankaisia pitkiä housuja ja pitkähihaista takkia. Vältä liian löysiä vaatteita, jotka tarttuvat helposti risuihin ja oksiiin. Älä pidä koruja, shortseja tai sandaaleja. Älä myöskään kulje paljain jaloin. Sido hiukset turvallisesti olkapäiden yläpuolelle.
- Pidä ensiaputarvikkeet helposti saatavilla.



## Lisälaitteen turvalaitteet



**VAROITUS:** Lue seuraavat varoitushjeet ennen lisälaitteen käyttämistä.

Tässä osassa kerrotaan lisälaitteen turvaominaisuuksista ja niiden toiminnasta sekä annetaan tarkastus- ja kunnossapito-ohjeet, joilla varmistetaan laitteen toimivuus. Katso kohdasta *Lisälaitteen yleiskatsaus sivulla 79*, missä nämä osat sijaitsevat lisälaitteessasi.

Lisälaitteen käyttöikä voi lyhentyä ja onnettomuusvaara kasvaa, jos lisälaitteen kunnossapitoa ei suoriteta oikein ja jos huoltoa ja/tai korjauksia ei tehdä ammattitaitoisesti. Saat lisätietoja lähimmästä huoltoliikkeestä.



**VAROITUS:** Älä koskaan käytä lisälaitetta, jos sen turvalaitteet ovat viallisia. Lisälaitteen turvavarustus on tarkastettava ja pidettävä kunnossa tässä osassa esitetyllä tavalla. Jos lisälaitteessasi ilmenee tarkastettaessa puutteita, se on toimitettava huoltoliikkeeseen korjattavaksi.



**VAROITUS:** Kaikki tuotteen huolto- ja korjaustyöt vaativat erikoiskoulutusta. Tämä koskee erityisesti tuotteen turvavarustusta. Jos tuotteessa havaitaan puutteita alla luetelluissa tarkastuksissa, ota yhteyttä huoltoliikkeeseen. Hankkimalla

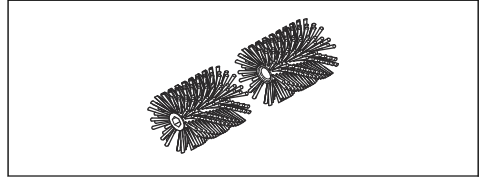
tuotteen meiltä varmistat, että saat sille ammattimaisen korjauksen ja huollon. Jos ostat tuotteen muusta kuin huollot suorittavasta ammattiliikkeestä, pyydä myyjää neuvomaan lähin huoltoliike.

- Tarkista laite kokonaisuudessaan ennen työn aloittamista. Vaihda vaurioituneet osat.
- Tarkista, että kaikki suojuukset ja kannet ovat ehjät ja että ne on kiinnitetty oikein. Tarkasta kaikki mutterit ja ruuvit.
- Jos laite on bensiinikäyttöinen, varmista, ettei laitteesta vuoda polttoainetta.
- Tarkasta, että harjarummut ovat ehjät ja että niissä ei ole halkeamia tai muita vaurioita.

## Turvaohjeet huoltoa varten

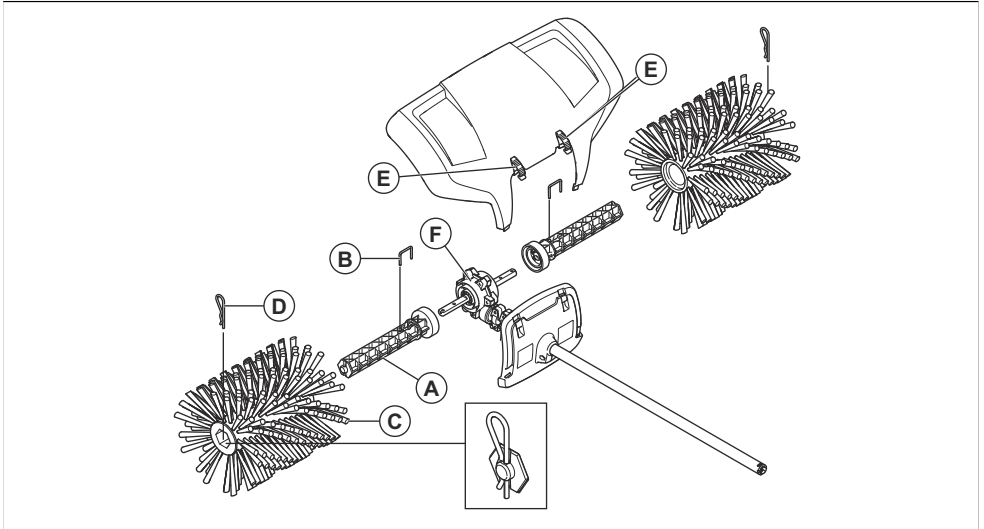


**VAROITUS:** Pysäytä laite aina, ennen kuin käsitellät lisälaitetta. Ole varovainen, sillä lisälaitte voi jatkaa liikkumista kaasu-/käyttöiipaisimen vapauttamisen jälkeen. Varmista, että lisälaitte on täysin pysähtynyt. Jos laite on bensiinikäyttöinen, irrota sytytysjohdot sytytystulpasta. Jos laite on akkukäyttöinen, irrota akku.



## Asentaminen

### Lisälaitteen asennus



1. Paina toinen rummun akseli (A) kiinni toiseen vaihdekotelosta (F) lähtevään vetoakseliin. Pyöritä tarvittaessa rummun akselia niin, että tapin aukko osuu vetoakseliin vastaavan aukon kohdalle.
2. Kiinnitä rullan vetovarsi lukkotapilla (B).
3. Aseta toinen harjarulla (C) koottuun vetovarteen. Paina rullaa sisäänpäin, kunnes se pysähtyy.
4. Kiinnitä rulla vetovarteen hiusneulasokalla (D). Paina päätyosaa hieman asennuksen aikana.

5. Asenna toisen puolen akseli ja rulla toistamalla nämä vaiheet.
6. Kiinnitä roiskesuoja paikalleen napsautettavilla kiinnikkeillä (E).

**Huomautus:** Ohjeet lisävarusteiden asentamisesta laitteen vakiomalliin ovat vakiomallin käyttöoppaassa.

## Käyttö

### Lisälaitteen käyttäminen

1. Käytä konetta täydellä (tai lähes täydellä) kaasulla/ nopeudella niin, että harja lepää pintaa vasten.

**Huomautus:** Harjan nostaminen irti pinnasta työskentelyn aikana on käyttäjälle raskasta ja tuloksen kannalta tarpeetonta.

2. Kun puhdistat kapeita pintoja, kuten polkuja, voit käyttää laitetta niin, että se sinkoaa materiaalin suoraan eteesi. Jos puhdistettava pinta on laajempi, työskentelykulma on ehkä valittava niin, että materiaalia kertyy pinnan toiseen reunaan. Kevyen materiaalin voi kerätä yhteen riviin tai pinoon myöhempää poistoa varten. Kovemmat tai isokokoisemmat materiaalit on usein kerättävä useampaan pisteeseen.



3. Toimi nurkkien käsittelyä varten seuraavasti: irrota roiske suojaus, löysää lisälaitteen liittintä ja kierrä lisälaitetta puoli kierrosta.



**VAROITUS:** Roskat sinkoutuvat tällöin käyttäjää kohti. Kun peruutat laitteella, käytä pienempää nopeutta ja varo kompastumista.

4. Pidä kone pienessä kulmassa työستettävään pintaan nähden. Jos työskentelykulma on liian suuri, lakaisulaite liikkuu sinua kohti ja saatat menettää laitteen hallinnan.



## Huolto

### Johdanto

Alla on annettu joitakin yleisiä hoito-ohjeita. Jos tarvitset lisäohjeita, ota yhteys huoltoosastoon.

### Lisävarusteen kunnossapito



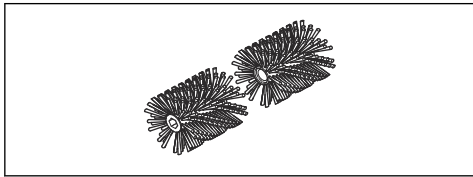
**HUOMAUTUS:** Lisävarustetta käytetään likaisissa olosuhteissa. Jos käytät bensiinikäyttöistä laitetta, on erittäin tärkeää huoltaa ilmansuodatin

säännöllisesti. Ilmansuodattimen tyydyttävä toiminta edellyttää öljyämistä. Katso huolto-ohjeet käyttöaggregaatin käyttöoppaasta.



**VAROITUS:** Vaihde kuumenee laitetta käytettäessä. Älä koske vaihteeseen, sillä se aiheuttaa palovammoja.

1. Tarkista, että harjarummut eivät pyöri, kun kaasu-/käyttöliipaisin vapautetaan.



2. Tarkasta, ettei harjarummuissa ole vaurioita tai halkeamia. Vaihda harjarummut tarvittaessa.

3. Ripusta harja pitkien varastointijaksojen ajaksi.

## Kuljettaminen, säilyttäminen ja hävittäminen

### Kuljetus ja säilytys

Kuljettaessa lisälaitetta toisessa ajoneuvossa on aina käytettävä hyväksytyjä kiinnityslaitteita ja varmistettava, että lisälaitte on kiinnitetty kunnolla.

Varmista, että lisälaitte on puhdistettu hyvin ja että täydellinen huolto on tehty ennen pitkäaikaissäilytystä.

## Tekniset tiedot

### Bensiinikäyttöisten laitteiden tekniset tiedot

|   |              |
|---|--------------|
| <b>Telahaarja</b>   | <b>BR600</b> |
| Harjarummun leveys, mm  | 597          |
| Harjarummun halkaisija, mm  | 270          |
| <b>Paino</b>  |              |
| Paino, kg   | 5,3          |
| <b>Melupäästöt</b> <sup>49</sup>  |              |
| Äänen tehotaso, mitattu dB(A)   | 106          |
| Äänen tehotaso, taattu L <sub>WA</sub> dB(A)  | 110          |
| <b>Äänitasot</b> <sup>50</sup>  |              |
| Vastaava äänenpainetaso käyttäjän korvan tasalla mitattuna standardin EN ISO 22868 mukaan, dB(A):                       | 94           |
| <b>Tärinä</b> <sup>51</sup>   |              |
| Kahvojen vastaavat tärinätasot (a <sub>h<sub>v</sub>,eq</sub> ) mitattuna standardin ISO 22867 mukaan, m/s <sup>2</sup> |              |
| Etu-/takakahvat   | 3,7/6,2      |

<sup>49</sup> Melupäästö ympäristöön äänentehona (L<sub>WA</sub>) EY-direktiivin 2000/14/EY mukaisesti mitattuna. Laitteen ilmoitettu äänentehotaso on mitattu käyttäen alkuperäistä terälaitetta, joka antaa suurimman äänentehotason. Taatun ja mitatun äänitehon erona on se, että taattu ääniteho sisältää myös mitatun tuloksen hajonnan ja vaihtelun saman mallin eri laitteiden välillä direktiivin 2000/14/EY mukaisesti.

<sup>50</sup> Ilmoitetuilla tiedoilla vastaavasta koneen äänenpainetasosta tyypillinen tilastollinen hajonta (vakiopoikkeama) on 1 dB(A).

<sup>51</sup> Ilmoitetuilla tiedoilla vastaavasta tärinätasosta tyypillinen tilastollinen hajonta (vakiopoikkeama) on 1 m/s<sup>2</sup>.

## Akkukäyttöisten laitteiden tekniset tiedot

|   |           |
|---|-----------|
| <b>325iLK + telaharjalisälaite BR600</b>  |           |
| Harjarummun leveys, mm  | 597       |
| Harjarummun halkaisija, mm  | 270       |
| <b>Paino</b>  |           |
| Paino, kg   | 2,3 + 5,3 |
| <b>Melupäästöt</b> <sup>52</sup>  |           |
| Äänen tehotaso, mitattu dB(A)   | 90        |
| <b>Äänitasot</b> <sup>53</sup>  |           |
| Äänenpainetaso käyttäjän korvan tasalla mitattuna standardin ISO 22868 mukaan, dB(A): | 80        |
| <b>Tärinä</b> <sup>54</sup>   |           |
| Kahvojen tärinätasot standardin EN 62841-1 mukaan mitattuna, m/s <sup>2</sup>         |           |
| Varustettu hyväksytyllä lisävarusteella (alkuperäinen), vasen/oikea                   | 3,3/3,1   |

<sup>52</sup> Ilmoitetuilla tiedoilla koneen äänentehotasosta tyypillinen tilastollinen hajonta (vakiopoikkeama) on 3 dB(A). Taso on mitattu käyttäen alkuperäistä lisälaitetta, joka antaa suurimman äänentehotason.

<sup>53</sup> Ilmoitetuilla tiedoilla koneen äänenpainetasosta tyypillinen tilastollinen hajonta (vakiopoikkeama) on 3 dB(A). Taso on mitattu käyttäen alkuperäistä lisälaitetta, joka antaa suurimman äänentehotason.

<sup>54</sup> Tärinätasolle ilmoitetuissa tiedoissa tyypillinen tilastollinen hajonta (vakiopoikkeama) on 2 m/s<sup>2</sup>. Käytä akku- ja polttomootorikäyttöisten laitteiden tärinätasojen vertailussa tärinälaskuria. <https://www.husqvarna.com/uk/services-solutions/vibration-calculator/>.

# Vaatimustenmukaisuusvakuutus

## EU-vaatimustenmukaisuusvakuutus

Husqvarna AB, SE-561 82 Huskvarna, Ruotsi, puh. +46  
36 146500, vakuuttaa täten, että tuote:

|                     |                                   |
|---------------------|-----------------------------------|
| <b>Kuvaus</b>       | Harjalisälaite                    |
| <b>Tuotemerkki</b>  | Husqvarna                         |
| <b>Tyyppi/malli</b> | BR600                             |
| <b>Tunniste</b>     | Sarjanumerot vuodesta 2022 alkaen |

vastaavat täysin seuraavien EU:n direktiivien ja  
asetusten vaatimuksia:

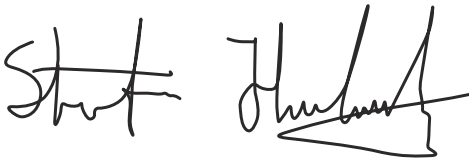
| <b>Direktiivi/asetus</b> | <b>Kuvaus</b>   |
|--------------------------|---|
| 2006/42/EC               | konedirektiivi  |
| 2000/14/EC               | Melupäästädirektiivi  |
| 2011/65/EU               | Direktiivi tiettyjen vaarallisten aineiden käytön rajoittamisesta sähkö- ja elektroniikkalaitteissa |

ja että asiassa sovelletaan seuraavia standardeja  
ja/tai teknisiä tietoja: EN ISO 12100:2010, EN IEC  
63000:2018

RISE SMP Svenska Maskinprovning AB, Box 7035,  
SE-750 07 Uppsala, Sweden on suorittanut Husqvarna  
AB:n puolesta vapaaehtoisen tyypitarkastuksen.

Sertifikaatin numero: SEC/15/2412

Huskvarna, 2022-03-29



Stefan Holmberg, Tuotekehityspäällikkö, Technology  
Management, Husqvarna AB

Teknisestä dokumentaatiosta vastaava edustaja



## Sommaire

|                   |    |  |    |
|-------------------|----|--|----|
| Introduction..... | 88 | Entretien.....                               | 94 |
| Sécurité.....     | 89 | Transport, entreposage et mise au rebut..... | 95 |
| Montage.....      | 93 | Caractéristiques techniques.....             | 95 |
| Utilisation.....  | 93 | Déclaration de conformité.....               | 97 |

## Introduction

### Description du produit

Nous travaillons continuellement au développement de nos produits et nous réservons le droit d'en modifier, entre autres, la conception et l'aspect sans préavis.

**Remarque:** Le présent manuel concerne à la fois les blocs d'alimentation fonctionnant à l'essence et ceux alimentés par batterie.

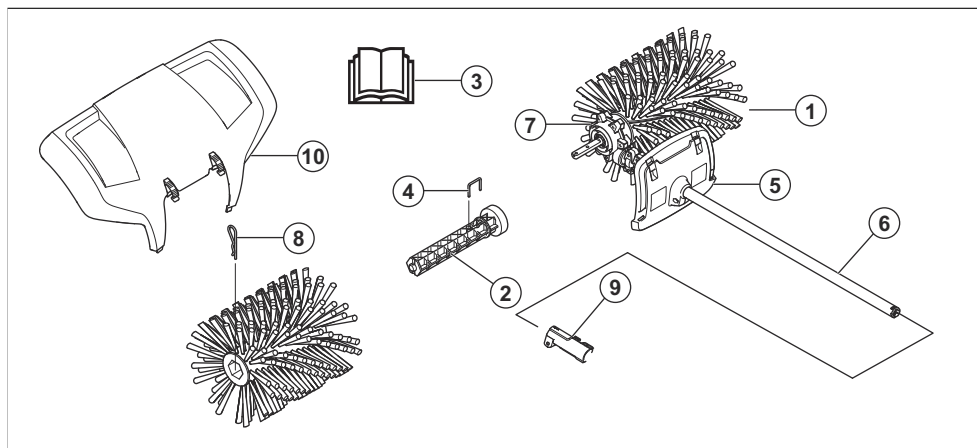
### Utilisation prévue



**AVERTISSEMENT:** Cet accessoire ne peut être utilisé qu'avec le produit spécialement conçu à cet effet. Reportez-vous au chapitre sur l'accessoire du manuel d'utilisation du produit.

L'accessoire est conçu uniquement pour le brossage des allées, des routes goudronnées et similaires.

### Présentation de l'accessoire



1. Brosse
2. Arbre du tambour
3. Manuel d'utilisation
4. Goupille d'arrêt
5. Protection (protection sur l'arbre)
6. Arbre
7. Carter
8. Goupille fendue
9. Raccord de l'arbre (inclus avec le produit)
10. Protection anti-éclaboussures

### Symboles sur l'accessoire et le bloc d'alimentation



Une utilisation erronée ou négligente de cet accessoire peut occasionner des blessures graves, voire mortelles, pour l'opérateur ou d'autres personnes.



Avant d'utiliser l'accessoire, lisez attentivement le manuel de l'opérateur et assimilez les instructions qu'il contient.







Utilisez des protège-oreilles homologués. Utilisez des protections pour les yeux homologués. Utilisez un masque respiratoire en cas de risque d'inhalation de poussière.



Restez à une distance minimale de 15 m (50 pi) des personnes et des animaux pendant le fonctionnement du produit.



Cet accessoire est conforme aux directives CE en vigueur.



Maintenez toutes les parties de votre corps à distance des surfaces chaudes et brûlantes.



Ce produit est conforme aux directives applicables en vigueur au Royaume-Uni.



Étiquette relative aux émissions sonores dans l'environnement selon les directives et réglementations européennes et du Royaume-Uni et la législation de la Nouvelle-Galles du Sud « Protection of the Environment Operations (Noise Control) Regulation 2017 ». Le niveau de puissance sonore garanti du produit est spécifié à la section *Caractéristiques techniques* à la page 95 et sur l'étiquette.



Pièces en rotation. Gardez les mains et les pieds éloignés. La flèche indique le sens de rotation.



Portez toujours des gants de protection homologués.



Utilisez des bottes antidérapantes et résistantes.

**Remarque:** Les autres symboles/autocollants présents sur l'accessoire concernent des exigences de certification spécifiques à certains marchés.



Attention : projections et ricochets.

L'opérateur doit s'assurer qu'aucune personne ni aucun animal ne se trouve à moins de 15 m de la machine. Lorsque plusieurs opérateurs travaillent sur le même site, une distance de sécurité d'au moins 15 m doit être respectée. L'accessoire peut projeter violemment des objets pouvant ricocher. Ceci peut provoquer de graves blessures aux yeux si l'équipement de protection personnelle recommandé n'est pas utilisé.



## Sécurité

### Définitions de sécurité

Des avertissements, des recommandations et des remarques sont utilisés pour souligner des parties spécialement importantes du manuel d'utilisation.



**REMARQUE:** Symbole utilisé en cas de risque de dommages pour le produit et/ou l'accessoire, d'autres matériaux ou les environs si les instructions du manuel ne sont pas respectées.



**AVERTISSEMENT:** Symbole utilisé en cas de risque de blessures ou de mort pour l'opérateur ou les personnes à proximité si les instructions du manuel ne sont pas respectées.

**Remarque:** Symbole utilisé pour donner des informations supplémentaires pour une situation donnée.

## Instructions générales de sécurité

---



**AVERTISSEMENT:** Lisez les consignes de sécurité qui suivent avant d'utiliser l'accessoire.

---

- Lisez attentivement et assimilez le manuel d'utilisation avant d'utiliser l'accessoire.
- Ces consignes complètent les instructions fournies avec le produit. Pour d'autres procédures, veuillez vous reporter aux instructions d'utilisation du produit.
- Ne modifiez jamais l'accessoire sans l'autorisation du fabricant. N'utilisez pas un accessoire qui semble avoir été modifié par un tiers et utilisez toujours des accessoires d'origine. Des modifications non autorisées et l'emploi d'accessoires non homologués peuvent provoquer des accidents graves, voire mortels, à l'utilisateur ou d'autres personnes.

## Lisez toutes les instructions

---



**AVERTISSEMENT:** Lors de l'utilisation d'appareils de jardinage, des précautions élémentaires de sécurité doivent toujours être observées afin de réduire les risques d'incendie, de décharge électrique et de blessures corporelles, y compris ce qui suit :

---

## Instructions de sécurité pour le fonctionnement

---



**AVERTISSEMENT:** Lisez les instructions qui suivent avant d'utiliser le produit.

---

- Veillez à éviter tout démarrage accidentel lors des opérations de montage, de contrôle ou d'entretien. Si vous disposez d'un produit fonctionnant à l'essence, déposez le capuchon de la bougie. Si vous disposez d'un produit alimenté par batterie, retirez la batterie.
- Par moment, l'herbe et les pierres peuvent s'accrocher dans les dents. Éteignez toujours le moteur avant de procéder au nettoyage.
- attention aux objets projetés. Travaillez toujours avec des lunettes de protection. Ne jamais se pencher par-dessus la brosse. Des cailloux, débris, etc. peuvent être projetés dans les yeux et causer des blessures très graves, voire la cécité.
- Après l'utilisation, l'engrenage peut être chaud pendant un moment. Risque de brûlures au contact.
- Tenez fermement le produit lors de la mise en marche.
- Bien que les brosses n'aient pas la même force que les lames d'une tondeuse, par exemple, vous devez éviter de travailler avec des matériaux qui peuvent causer des blessures personnelles ou des dégâts matériels en cas de projection.

- N'utilisez pas le produit s'il n'est pas possible d'appeler au secours en cas d'accident.
- Utilisez le produit uniquement pour les travaux auxquels il est destiné.
- N'utilisez jamais le produit en cas de fatigue, d'absorption d'alcool ou de prise de médicaments susceptibles d'affecter l'acuité visuelle, le jugement ou la maîtrise du corps.
- N'utilisez jamais le produit dans des conditions climatiques extrêmes telles qu'un froid intense ou un climat très chaud et/ou humide.
- N'utilisez jamais un produit qui n'est pas en parfait état de marche. Appliquez les instructions de maintenance et d'entretien ainsi que les contrôles de sécurité indiqués dans ce manuel d'utilisation. Certaines opérations de maintenance et d'entretien doivent être réalisées par un spécialiste dûment formé et qualifié. Voir les instructions à la section Maintenance.
- Ne laissez jamais un enfant utiliser le produit.
- Ne laissez jamais d'autres personnes utiliser le produit sans vous être assuré au préalable que ces personnes ont bien lu et compris le contenu du mode d'emploi.
- maintenez à distance toutes personnes étrangères au travail. Les enfants, les animaux, les spectateurs et les collègues de travail devront se trouver en dehors de la zone de sécurité, soit à au moins 15 m lorsque vous travaillez. Arrêtez immédiatement le produit si une personne s'approche.
- Dans l'éventualité d'une situation rendant la suite du travail incertaine, consultez un expert. Adressez-vous au revendeur ou à l'atelier de réparation.
- Évitez les tâches pour lesquelles vous ne vous sentez pas suffisamment qualifié.
- Assurez-vous que la zone de travail est bien dégagée et qu'aucune personne et aucun animal ne risquent d'entrer en contact avec l'équipement de coupe, ou d'altérer le contrôle que vous avez du produit.
- Restez attentif aux signaux d'alerte ou aux appels lorsque vous portez des protecteurs d'oreille. Enlevez toujours vos protège-oreilles dès que le moteur s'arrête.
- N'utilisez pas le produit par mauvais temps : brouillard épais, pluie diluvienne, vent violent, grand froid, etc. Travailler par mauvais temps est cause de fatigue et peut même être dangereux, par exemple en cas de sol glissant.

- Assurez-vous de pouvoir vous tenir et vous déplacer en toute sécurité.



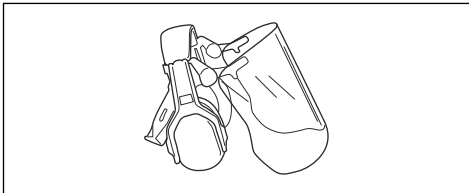
- Éteignez le produit en cas de déplacement.
- Ne posez pas le produit au sol lorsque le moteur est en marche, sauf si vous pouvez le surveiller.
- Tenez toujours la machine des deux mains. Tenez le produit sur le côté du corps.
- Veillez à ce que ni vos mains ni vos pieds ne soient en contact avec la brosse lorsque le moteur tourne.
- Après l'arrêt du moteur, maintenez vos mains et vos pieds à distance de la brosse jusqu'à l'arrêt total de celle-ci.
- En présence d'importantes vibrations, arrêtez le produit. Si vous avez utilisé un produit fonctionnant à l'essence, débranchez le câble HT de la bougie. Si vous disposez d'un produit alimenté par batterie, retirez la batterie. Assurez-vous que le produit n'est pas endommagé. Réparez tout éventuel dommage.

## Équipement de protection individuel



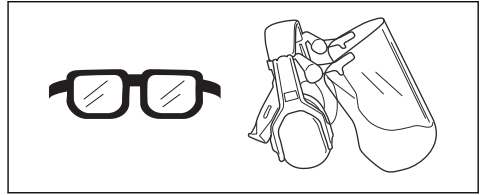
**AVERTISSEMENT:** Lisez les instructions qui suivent avant d'utiliser le produit.

- Portez toujours un équipement de protection individuel homologué lorsque vous utilisez le produit. L'équipement de protection individuel ne protège pas complètement des blessures, mais il diminue la gravité des blessures en cas d'accident. Faites appel à votre revendeur pour vous aider à sélectionner l'équipement adéquat.
- Portez des protège-oreilles homologués ayant un effet atténuateur suffisant. Une exposition prolongée au bruit risque de causer des lésions auditives permanentes.

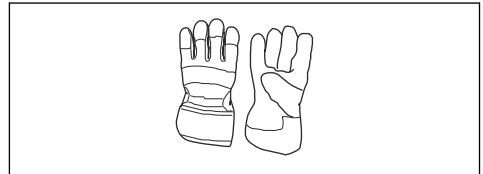


- Utilisez des protections pour les yeux homologuées. L'usage d'une visière doit toujours s'accompagner du port de lunettes de protection homologuées.

Par lunettes de protection homologuées, on entend celles qui sont en conformité avec les normes ANSI Z87.1 (États-Unis) ou EN 166 (pays de l'UE).



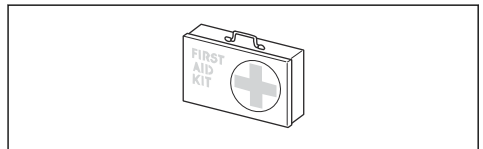
- Portez des gants de protection en cas de besoin, par exemple lorsque vous fixez, examinez ou nettoyez l'équipement de coupe.



- Portez des bottes de protection avec coques de protection en acier et des semelles antidérapantes.



- Portez des vêtements fabriqués dans un matériau résistant. Portez toujours des pantalons longs, épais et des manches longues. Ne portez pas de vêtements amples qui risqueraient de se prendre dans les brindilles et les branches. Ne portez pas de bijoux, de shorts, de sandales et ne marchez pas pieds nus. Attachez vos cheveux de façon sécurisée au-dessus de vos épaules.
- Gardez toujours une trousse de premiers soins à portée de main.



## Dispositifs de sécurité sur l'accessoire



**AVERTISSEMENT:** Lisez les instructions qui suivent avant d'utiliser l'accessoire.

Ce chapitre présente les fonctions de sécurité de l'accessoire, leur but et les instructions de contrôle et d'entretien afin de garantir son bon fonctionnement. Consultez les instructions à la section *Présentation de l'accessoire* à la page 88 pour savoir où se trouvent ces équipements sur votre accessoire.

La durée de vie de l'accessoire risque d'être écourtée et le risque d'accidents accru si l'entretien de l'accessoire n'est pas effectué correctement et si les mesures d'entretien et/ou de réparation ne sont pas effectuées de manière professionnelle. Pour plus d'informations, contactez l'atelier de réparation du revendeur le plus proche.



**AVERTISSEMENT:** N'utilisez jamais un accessoire dont les équipements de sécurité sont défectueux. Contrôlez et entretenez les équipements de sécurité de l'accessoire conformément aux instructions données dans ce chapitre. Si les contrôles de l'accessoire ne donnent pas de résultat positif, contactez votre agent d'entretien pour le faire réparer.



**AVERTISSEMENT:** L'entretien et la réparation du produit exigent une formation spéciale. Cela concerne particulièrement l'équipement de sécurité du produit. Si les contrôles suivants ne donnent pas un résultat positif, adressez-vous à un atelier spécialisé. L'achat de l'un de nos produits offre à l'acheteur la garantie d'un service et de réparations qualifiés. Si le point de vente

n'assure pas ce service, adressez-vous à l'atelier spécialisé le plus proche.

---

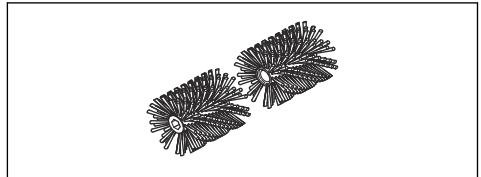
## Instructions de sécurité pour l'entretien

---



**AVERTISSEMENT:** Arrêtez toujours le produit avant d'effectuer l'entretien de l'accessoire. Attention, l'accessoire peut continuer à bouger après que la gâchette d'accélération/de puissance a été relâchée. Assurez-vous que l'accessoire est complètement à l'arrêt. Si vous disposez d'un produit fonctionnant à l'essence, débranchez les câbles HT de la bougie. Si vous disposez d'un produit alimenté par batterie, retirez la batterie.

- Vérifiez intégralement l'appareil avant de commencer le travail. Remplacez les pièces endommagées.
- Vérifiez que tous les capots et caches de protection sont en place et correctement fixés. Vérifiez tous les écrous et toutes les vis.
- Si vous avez un produit fonctionnant à l'essence, assurez-vous qu'il n'y a aucune fuite de carburant.
- Vérifier que les brosses ne sont pas abîmées et ne présentent pas de signes de fissure ou autres dégâts.

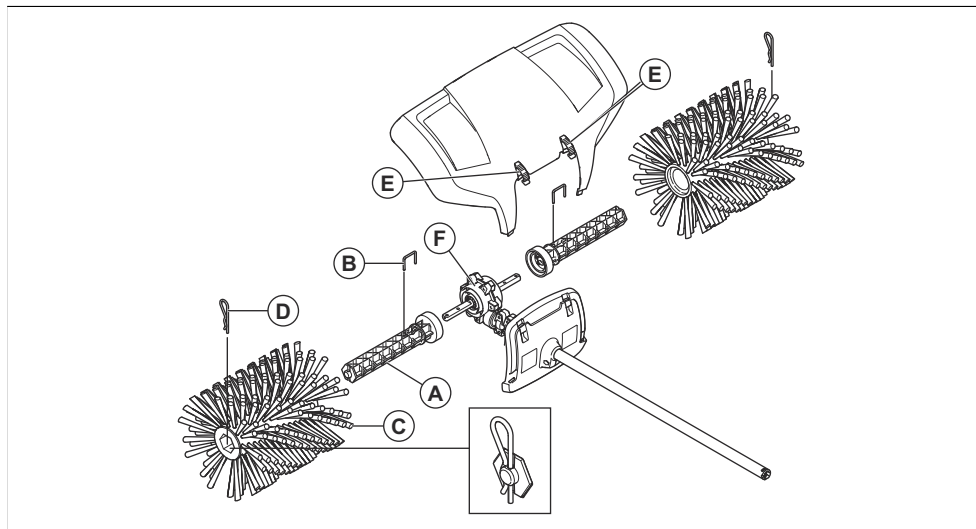


---

## Montage

---

### Pour monter l'accessoire



1. Pressez l'un des arbres du tambour (A) contre l'un des deux arbres d'entraînement de sortie du carter d'engrenage (F). Faites tourner l'arbre du tambour si nécessaire afin que le trou de goupille se place sur le trou correspondant dans l'arbre d'entraînement.
2. Fixez l'arbre du rouleau avec la goupille de blocage (B).
3. Placez l'un des rouleaux de brosse (C) sur l'arbre monté. Appuyez sur le rouleau jusqu'à ce qu'il rencontre une butée.

4. Fixez le rouleau sur l'arbre à l'aide d'une goupille d'assemblage (D). Appuyez légèrement sur l'extrémité lors du montage.
5. Répétez ces étapes pour monter l'arbre et le rouleau de l'autre côté.
6. Montez le pare-boue avec les clips de fixation (E).

**Remarque:** Pour le montage des accessoires sur un produit de base, reportez-vous au manuel du produit de base.

---

## Utilisation

---

### Pour utiliser l'accessoire

1. Utilisez le produit à plein régime (ou presque) en faisant reposer la brosse sur la surface.

**Remarque:** Il est à la fois fatigant et inutile de lever ou maintenir la brosse au-dessus de la surface lorsque vous l'utilisez.

---

2. Lors du nettoyage de surfaces étroites telles que les allées, le produit peut être utilisé de manière à déplacer les matériaux directement devant vous. Lors d'une utilisation sur des surfaces plus larges, il peut être nécessaire de travailler d'un certain angle pour que les piles s'accumulent d'un seul côté. Les piles composées de matériaux légers peuvent être ramassées en une seule rangée ou tas pour être retirées ultérieurement tandis que des matériaux durs ou plus volumineux devront être ramassés en plusieurs piles.



3. Afin d'accéder dans les coins, déposez le pare-boue, desserrez le raccord de l'accessoire et faites pivoter l'accessoire d'un demi-tour.



**AVERTISSEMENT:** Les déchets sont alors projetés vers l'utilisateur. Utilisez une vitesse inférieure lorsque le produit est utilisé en marche arrière et faites attention à ne pas trébucher.

4. Maintenir un petit angle de travail par rapport à la surface. Un angle de travail trop grand signifie que le balai a tendance à se déplacer vers vous et que vous risquez de perdre le contrôle du produit.



## Entretien

### Introduction

Nous donnons ici quelques conseils d'entretien à caractère général. Pour plus d'informations, contacter l'atelier de réparation.

### Pour procéder à l'entretien de l'accessoire

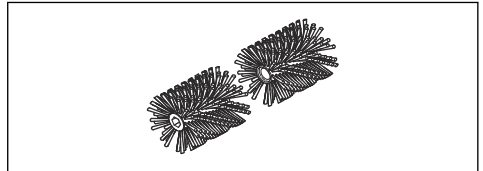


**REMARQUE:** L'accessoire est utilisé dans un environnement sale. Si vous disposez d'un produit fonctionnant à l'essence, il est très important d'effectuer l'entretien du filtre à air régulièrement. Le filtre à air doit être lubrifié à l'huile pour fonctionner correctement. Reportez-vous au manuel d'utilisation du bloc d'alimentation pour les instructions d'entretien.



**AVERTISSEMENT:** Après l'utilisation du produit, le carter d'engrenage est chaud. Ne pas toucher l'engrenage afin d'éviter les brûlures.

1. Vérifiez que les brosses ne tournent pas dès que la gâchette d'accélération/de puissance est relâchée.



2. Vérifiez que les brosses ne sont pas endommagées ou fissurées. Remplacez les brosses si nécessaire.
3. Suspendez la brosse lorsque vous la remisez pendant de longues périodes.

## Transport, entreposage et mise au rebut

### Transport et rangement

En cas de transport de l'accessoire sur un autre véhicule, utilisez toujours des dispositifs d'arrimage approuvés et assurez-vous que l'accessoire est bien maintenu.

Avant de remettre l'accessoire pour une période prolongée, veillez à ce qu'il soit bien nettoyé et que toutes les mesures d'entretien aient été effectuées.

## Caractéristiques techniques

### Caractéristiques techniques pour produits fonctionnant à l'essence

|  |              |
|--|--------------|
| <b>Brosse à picots</b>   | <b>BR600</b> |
| Largeur de la brosse, en mm  | 597          |
| Diamètre de la brosse, en mm   | 270          |
| <b>Poids</b>   |              |
| Poids, kg  | 5,3          |
| <b>Émissions sonores</b> <sup>55</sup>   |              |
| Niveau de puissance sonore, mesuré dB(A)   | 106          |
| Niveau de puissance acoustique, garanti $L_{WA}$ dB(A)   | 110          |
| <b>Niveaux sonores</b> <sup>56</sup>   |              |
| Pression acoustique équivalente au niveau des oreilles de l'utilisateur, mesurée selon EN ISO 22868, dB (A) :          | 94           |
| <b>Vibrations</b> <sup>57</sup>  |              |
| Niveaux de vibrations équivalents ( $a_{hv,eq}$ ), mesurés au niveau des poignées selon la norme ISO 22867, en $m/s^2$ |              |
| Poignées avant/arrière   | 3,7/6,2      |

### Caractéristiques techniques pour produits alimentés par batterie

|   |     |
|---|-----|
| <b>325iLK + Accessoire pour brosse à picots BR600</b> |     |
| Largeur de la brosse, en mm                           | 597 |

<sup>55</sup> Émissions sonores dans l'environnement mesurées comme puissance sonore ( $L_{WA}$ ) selon la directive européenne CE 2000/14/CE. Le niveau de puissance sonore reporté pour la machine a été mesuré avec l'équipement de coupe d'origine qui donne le niveau le plus élevé. Le niveau de puissance sonore garanti diffère du niveau mesuré en cela qu'il prend également en compte la dispersion et les variations d'une machine à l'autre du même modèle, conformément à la directive 2000/14/CE.

<sup>56</sup> Les données reportées pour le niveau de pression sonore équivalent pour la machine montrent une dispersion statistique typique (déviations standard) de 1 dB (A).

<sup>57</sup> Les données reportées pour le niveau de vibrations équivalent montrent une dispersion statistique type (déviations standard) de 1  $m/s^2$ .

|   |         |
|---|---------|
| <b>325iLK + Accessoire pour brosse à picots BR600</b>   |         |
| Diamètre de la brosse, en mm  | 270     |
| <b>Poids</b>  |         |
| Poids, kg   | 2,3+5,3 |
| <b>Émissions sonores</b> <sup>58</sup>  |         |
| Niveau de puissance sonore, mesuré dB(A)  | 90      |
| <b>Niveaux sonores</b> <sup>59</sup>  |         |
| Pression acoustique équivalente au niveau des oreilles de l'utilisateur, mesurée selon la norme ISO 22868, dB (A) : | 80      |
| <b>Vibrations</b> <sup>60</sup>   |         |
| Niveau de vibration au niveau des poignées mesuré selon la norme EN 62841-1 en m/s <sup>2</sup>                     |         |
| Équipée d'un accessoire homologué (d'origine), gauche/droite  | 3,3/3,1 |

<sup>58</sup> Les données reportées pour le niveau de puissance sonore de la machine montrent une dispersion statistique typique (déviations standard) de 3 dB (A) et ont été mesurées avec l'accessoire d'origine qui donne le niveau le plus élevé.

<sup>59</sup> Les données reportées pour le niveau de pression acoustique de la machine ont une dispersion statistique typique (déviations standard) de 3 dB (A) et ont été mesurées avec l'équipement d'origine qui donne le niveau le plus élevé.

<sup>60</sup> Les données reportées pour le niveau de vibrations montrent une dispersion statistique typique (déviations standard) de 2 m/s<sup>2</sup>. Pour comparer les niveaux de vibrations, la batterie et les produits de combustion utilisent le calculateur de vibrations. <https://www.husqvarna.com/uk/services-solutions/vibration-calculator/>.



---

## Déclaration de conformité

---

### Déclaration de conformité UE

Nous, **Husqvarna AB**, SE-561 82 Huskvarna, Suède,  
tél : +46-36-146500, déclarons sous notre entière  
responsabilité que le produit :

|                       |   |
|-----------------------|---|
| <b>Description</b>    | Accessoire balai-brosse                             |
| <b>Marque</b>         | Husqvarna   |
| <b>Type/Modèle</b>    | BR600   |
| <b>Identification</b> | Les numéros de série à partir de 2022 et ultérieurs |

est entièrement conforme à la réglementation et aux  
directives de l'UE suivantes :

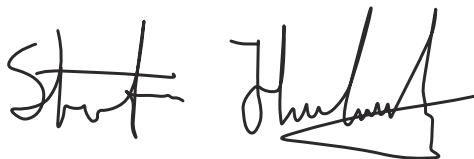
| <b>Directive/Réglementation</b> | <b>Description</b>   |
|---------------------------------|--|
| 2006/42/EC                      | « relative aux machines »  |
| 2000/14/EC                      | « relative aux émissions sonores dans l'environnement »  |
| 2011/65/UE                      | « relative à la limitation de l'utilisation de certaines substances dangereuses au sein d'équipements électriques et électroniques » |

et que les normes et/ou les spécifications techniques  
suivantes sont appliquées : EN ISO 12100:2010, EN  
IEC 63000:2018

RISE SMP Svenska Maskinprovning AB, Box 7035,  
SE-750 07 Uppsala, Sweden a procédé à des examens  
volontaires pour le compte de Husqvarna AB.

Numéro de certificat : SEC/15/2412

Huskvarna, 2022-03-29



Stefan Holmberg, Directeur R&D, gestion de la  
technologie, Husqvarna AB

Responsable de la documentation technique



# TARTALOMJEGYZÉK

|                    |     |  |     |
|--------------------|-----|--|-----|
| Bevezető.....      | 98  | Karbantartás.....                          | 104 |
| Biztonság.....     | 99  | Szállítás, tárolás és ártalmatlanítás..... | 105 |
| Összeszerelés..... | 103 | Műszaki adatok.....                        | 105 |
| Üzemeltetés.....   | 103 | Megfelelőségi nyilatkozat.....             | 107 |

## Bevezető

### Termékleírás

Folyamatosan fejlesztjük termékeinket, ezért fenntartjuk a jogot a termékek kialakításának és megjelenésének előzetes figyelmeztetés nélküli megváltoztatására.

**Megjegyzés:** A jelen kézikönyv a benzines és az akkumulátoros tápegységekre egyaránt vonatkozik.

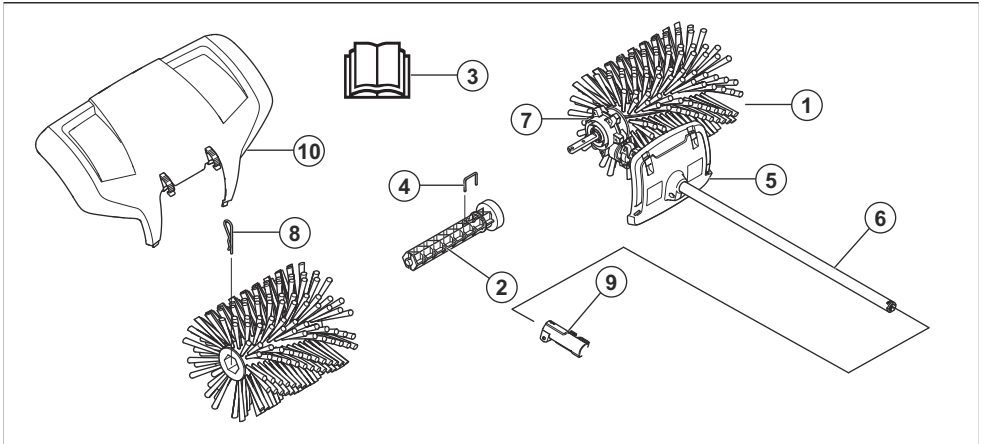
### Rendeltetésszerű használat



**FIGYELMEZTETÉS:** Ez a tartozék csak a megadott termékkel együtt használható, lásd a tartozék fejezetet a termék használati utasításában.

A tartozék ösvények, aszfaltutak és hasonló felületek söprésére alkalmas.

### A tartozék áttekintése



1. Kefedob
2. Dobtengely
3. Használati utasítás
4. Rögzítőcsap
5. Védőburkolat (nyélen elhelyezett védelem)
6. Nyél
7. Sebváltóház
8. Sasszeg
9. Nyélsatlakozó (mellékelve a termékhez)
10. Felverődésgátló

### A tartozék és a tápegység szimbólumai



A tartozék nem körültekintő vagy helytelen használata a kezelő vagy más személyek súlyos vagy halálos sérülését okozhatja.



Olvassa el figyelmesen a használati utasítást, és győződjön meg róla, hogy megértette azt a tartozék használatba vétele előtt.



Használjon jóváhagyott hallásvédőt. Használjon jóváhagyott szemvédőt. Por veszélye esetén viseljen porvédő maszkot.



Ez a tartozék megfelel a vonatkozó EK irányelveknek.



A termék megfelel a vonatkozó egyesült királyságbeli irányelveknek.



Forgó alkatrészek. Tartsa kezét és lábát biztonságos távolságban. A nyíl a forgásirányt jelzi.



Használjon mindig megfelelő védőkesztyűt.



Használjon stabil, nem csúszós csizmát.



Legyen óvatos a kivetett és visszapatnáló tárgyakkal.



A kezelő ügyeljen arra, hogy se ember, se állat ne jöjjön 15 m-nél közelebb. Ha ugyanazon a munkaterületen többen is dolgoznak, legalább 15 méteres biztonsági távolságot kell tartani. A tartozék nagy erővel fújhat ki tárgyakat, amelyek visszapatnhatnak. Ez a javasolt biztonsági felszerelés használatának mellőzése esetén súlyos szemsérülést okozhat.



A termék használata közben tartson legalább 15 méteres (50 láb) távolságot az emberektől és az állatoktól.



Minden testrészét tartsa távol a forró felületektől.



Az EU és az Egyesült Királyság irányelveinek és jogszabályainak, és New South Wales „Környezetben történő munkavégzés szabályozása (zajszabályozás), 2017” irányelvének megfelelő környezeti zajkibocsátási címke. A termék garantált hangteljesítményszintjére vonatkozó adatok megtalálhatók az alábbi részen: *Műszaki adatok 105. oldalon* és a címkén.

**Megjegyzés:** A tartozékon szereplő többi jel/címke egyes piacok specifikus vizsgáztatási követelményeire vonatkozik.

## Biztonság

### Biztonsági meghatározások

A figyelmeztetések, óvintézkedések és megjegyzések a használati utasítás kiemelten fontos részeire hívják fel a figyelmet.



**FIGYELMEZTETÉS:** Akkor használatos, ha a kézikönyv utasításainak be nem tartása esetén fennáll a kezelő vagy a közelben tartózkodók sérülésének vagy halálának veszélye.



**VIGYÁZAT:** Akkor használatos, ha a kézikönyv utasításainak be nem tartása esetén fennáll a vagyoni kár, illetve a termék és/vagy a tartozék vagy a környező területen lévő anyagok károsodásának veszélye.

**Megjegyzés:** További információt biztosít az adott helyzetben szükséges tennivalókról.

## Általános biztonsági utasítások



**FIGYELMEZTETÉS:** A tartozék használata előtt olvassa el a biztonsági utasításokat.

- Olvassa el figyelmesen a használati utasítást, és győződjön meg róla, hogy megértette azt a tartozék használatba vétele előtt.
- Ezek az utasítások a termékkel kapott utasítások kiegészítésül szolgálnak. A többi eljárást a termék használati utasításában találja meg.
- A tartozék kivitelezésén a gyártó cég engedélye nélkül semmilyen módosítást sem szabad végezni. Ne használjon olyan tartozékokat, amelyet esetleg módosítottak, és mindig eredeti kiegészítőket használjon. Nem engedélyezett módosítások és/vagy pótalkatrészek komoly sérülésekhez vagy halálos balesetekhez vezethetnek.

## Minden utasítást olvasson el



**FIGYELMEZTETÉS:** Elektromos kerti készülékek használata esetén a tűz, az áramütés és a személyi sérülések kockázatának csökkentése érdekében mindig be kell tartani az alapvető biztonsági óvintézkedéseket, beleértve a következőket:

## Biztonsági utasítások az üzemeltetéshez



**FIGYELMEZTETÉS:** A termék használata előtt olvassa el az alábbi figyelmeztetéseket.

- Ügyeljen arra, hogy az összeszereléskor, ellenőrzéskor vagy karbantartáskor ne indítsa be véletlenül a terméket. Amennyiben benzines termékkel dolgozik, csatlakoztassa le a gyertyapipát a gyújtógyertyáról. Amennyiben a termék akkumulátoros, távolítsa el az akkumulátort.
- Előfordulhat, hogy fűcsomók vagy kövek akadnak be a kultivátorfogba. Tisztításhoz mindig állítsa le a motort.
- Vigyázzon a felcsapódó tárgyaktól. Mindig használjon szemvédőt. Soha ne hajoljon a kefedob felé. Kövek, szemét stb. kerülhetnek a szembe és vakságot illetve súlyos sérüléseket okozhatnak.
- A használat során és után a váltómű meleg lehet. Érintés esetén égési sérülés veszélye áll fenn.
- Tartsa erősen a terméket, amikor elindítja.
- Bár a kefedobok teljesítménye nem azonos például egy fűnyíró pengéivel, ne dolgozzon olyan anyagokkal, amelyek kivetődésük esetén személyi sérülést vagy anyagi károkat okozhatnak.

- Ne használja a terméket olyan körülmények között, amelyeknél baleset esetén nem lenne lehetősége segítséget hívni.
- Kizárólag a rendeltetésének megfelelően használja a terméket.
- Soha ne használja a terméket, ha fáradt, ha szeszesitalt fogyasztott, vagy ha olyan gyógyszert szed, amely befolyásolhatja a látását, az ítélőképességét vagy a koordinációs képességét.
- Ne használja a terméket szélsőséges időjárási körülmények között, például nagy hidegben illetve nagy melegben és/vagy párák éghajlaton.
- Soha ne használjon olyan terméket, amely hibás. Végezze el az ebben a használati utasításban előírt ellenőrzési, karbantartási és szervizmunkálatokat. Bizonyos karbantartási és szervizmunkákat szakembernek kell végrehajtania. Lásd a Karbantartás című fejezetben leírtakat.
- Soha ne engedje, hogy a terméket gyermek használja.
- Soha ne engedje meg senkinek a termék használatát, amíg nem győződött meg arról, hogy az illető elolvasta és megértette a használati utasítás tartalmát.
- Tartsa az illetéktelen személyeket biztonságos távolságban. A gyermekek, állatok, nézelődők és segítők maradjanak a 15 m-es biztonsági zónán kívül. Ha valaki megközelíti Önt, azonnal állítsa le a terméket.
- Ha munka közben elbizonytalanodik a munka folytatását illetően, kérje szakember tanácsát. Forduljon kereskedőhöz vagy márkaszervizhez.
- Ne használja a gépet olyan feladatok elvégzésére, amelyekhez úgy véli, nem rendelkezik elegendő szakértelemmel.
- Vizsgálja meg környezetét és győződjön meg róla, hogy sem ember, sem állat nem kerülhet kapcsolatba Önnel, illetve nem befolyásolhatja a termék feletti uralmát.
- Amikor fülvédőt visel, mindig figyeljen a figyelmeztető jelzésekre és hangokra. A motor leállítása után azonnal vegye le a fülvédőket.
- Ne használja a terméket rossz időben, például sűrű ködben, erősen zuhogó esőben, erős szélben vagy nagy hidegben. A hideg időben végzett munka fárasztó, és gyakran kockázattal jár (például jeges talaj).

- Gondoskodjon arról, hogy biztonságosan tudjon járni és állni.



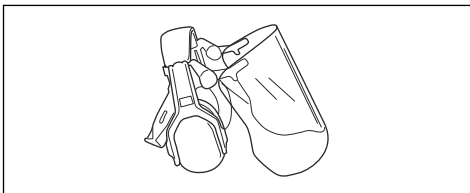
- Mielőtt a terméket másik helyre vinné át, állítsa le a motort.
- Járó motorral ne tegye le a terméket, hacsak nem tudja szemmel tartani azt.
- Mindig két kézzel fogja a terméket. Tartsa a terméket az oldala mellett.
- Ügyeljen arra, hogy keze és lába ne érjen a keféhez, amikor a motor jár.
- Amikor a motor ki van kapcsolva, a kezeit és a lábait tartsa távol a keféktől, amíg a gép teljesen le nem áll.
- Ha erős rezgést észlel, azonnal állítsa le a terméket. Amennyiben benzines motorral dolgozik, távolítsa el a HT vezetékét a gyújtógyertyából. Amennyiben a termék akkumulátoros, távolítsa el az akkumulátort. Ellenőrizze, hogy a termék sértetlen-e. Javítson ki minden sérülést.

## Személyi védőfelszerelés



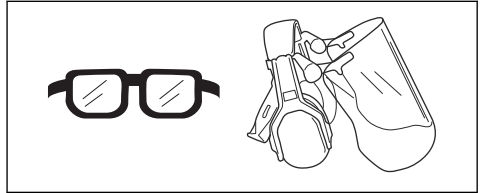
**FIGYELMEZTETÉS:** A termék használata előtt olvassa el az alábbi figyelmeztetéseket.

- A termék használata során viseljen jóváhagyott személyi védőfelszerelést. A személyi védőfelszerelés nem kuszöbölí ki teljes mértékben a sérülés kockázatát, de csökkenti a sérülés mértékét, ha bekövetkezik a baleset. A megfelelő felszerelés kiválasztásában kérje a kereskedő segítségét.
- Használjon elegendő hangtompító hatással rendelkező, jóváhagyott fülvédőt. Hosszú távon a tartós zajártalom maradandó halláskárosodást okozhat.

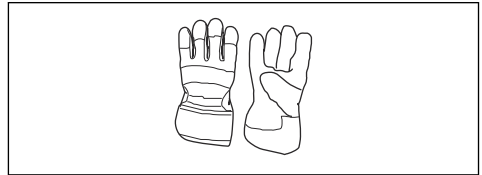


- Használjon jóváhagyott védőszemüveget. Ha arcvédőt használ, jóváhagyott védőszemüveget is kell viselnie. Jóváhagyott védőszemüvegek azok,

amelyek megfelelnek az ANSI Z87.1 (USA) illetve EN 166 (EU-országok) szabványoknak.



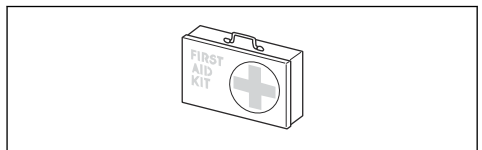
- Ha szükséges, viseljen kesztyűt – például a vágóeszköz felhelyezésekor, ellenőrzésekor vagy tisztításakor.



- Használjon acéllemez lábujjvédős és csúszásgátlós védőbakancsot.



- Viseljen sűrű szövésű anyagból készült ruházatot. Vastag, hosszú nadrágot és hosszú ujjú felsőrészt viseljen. Ne viseljen bő ruházatot, mert az beakadhat a gallyakba és a bokrok ágaiba. Ne viseljen ékszereket, rövidnadrágot, szandált, illetve ne legyen meztőláb. Igazítsa haját vállmagasság fölé.
- Tartson elsősegélykészletet a közelben.



## Biztonsági eszközök a tartozékon



**FIGYELMEZTETÉS:** A tartozék használata előtt olvassa el az alábbi figyelmeztetéseket.

Ez a fejezet a tartozék biztonsági funkcióit és azok rendeltetését tartalmazza, valamint azt, hogy miként kell a megfelelő üzemelés biztosítása érdekében ellenőrzéseket és karbantartást végezni. A tartozék részegységeinek helyével kapcsolatban lásd a(z)

A tartozék áttekintése 98. oldalon című fejezetben szereplő utasításokat.

A tartozék élettartama lecsökkenhet, a balesetveszély pedig megnövekedhet, ha a tartozék karbantartását nem megfelelően hajtják végre, illetve ha a szervizt és/ vagy a javításokat nem szakszerűen végzik. Ha további információra van szüksége, vegye fel a kapcsolatot a legközelebbi szervizszolgáltatóval.

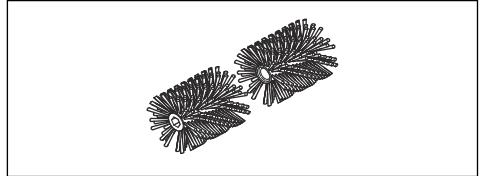


**FIGYELMEZTETÉS:** Soha ne használja a tartozékokat hibás biztonsági felszerelésekkel. A tartozék biztonsági felszerelésének ellenőrzését és karbantartását a jelen fejezetben leírtak szerint kell elvégezni. Ha az Ön tartozéka nem felel meg az alábbi vizsgálatok valamelyikén, forduljon szervizműhelyéhez.



**FIGYELMEZTETÉS:** A termék szervizeléséhez és javításához speciális szakmai képzésre van szükség. Ez különösen érvényes a termék biztonsági felszerelésére. Ha az Ön terméke nem felel meg az alábbi vizsgálatok valamelyikénél, akkor forduljon szervizműhelyéhez. Bármely termékünk megvásárlásakor garantáljuk a szakképzett javítást és szervizelést. Ha a terméket nem szervizműhellyel rendelkező szakkereskedőtől vásárolta, akkor kérje el tőle a legközelebbi szervizműhely címét.

- A munka megkezdése előtt ellenőrizze a teljes terméket. Cserélje a sérült alkatrészeket.
- Ellenőrizze, hogy minden védőburkolat és fedél a helyén van-e, és megfelelően van-e rögzítve. Ellenőrizze a csavarokat és az anyákat.
- Ha benzines terméket használ, ellenőrizze, hogy nem szivárog-e az üzemanyag.
- Ellenőrizze, hogy a kefedobok sérülésmentesek-e, és hogy vannak-e rajtuk repedések vagy egyéb sérülések.



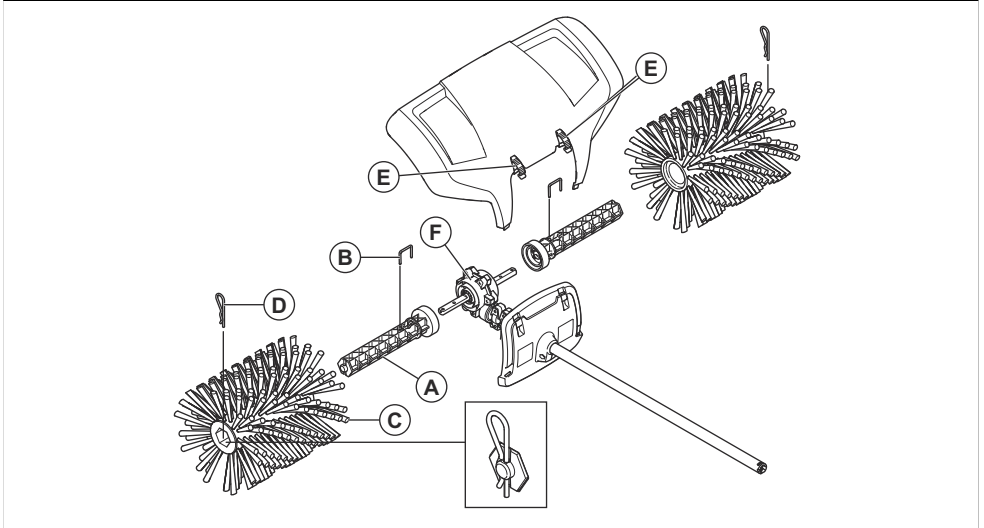
## Biztonsági utasítások a karbantartáshoz



**FIGYELMEZTETÉS:** A tartozékon végzett munkálatok megkezdése előtt mindig állítsa le a terméket. Legyen óvatos: a tartozék a gázadagoló/kapcsológomb felengedése után még tovább járhat. Győződjön meg arról, hogy a tartozék teljesen leállt-e. Amennyiben benzines termékkel dolgozik, válassza le a HT vezetőkéket a gyújtógyertyáról. Amennyiben a termék akkumulátoros, távolítsa el az akkumulátort.

## Összeszerelés

### A vágófelszerelés összeszerelése



1. Nyomja az egyik dobtengelyt (A) a váltóház (F) két kimenő hajtótengelyének egyikére. Szükség esetén forgassa a dob tengelyét, hogy a csaplyuk a hajtótengely megfelelő furata fölé kerüljön.
2. Rögzítse a görgő tengelyét rögzítőcsap (B) segítségével.
3. Helyezze az egyik kefgörgőt (C) az összeszerelt tengelyre. Nyomja be a görgőt, amíg meg nem akad.
4. Rögzítse a görgőt a tengelyre egy sasszeg segítségével (D). Összeszereléskor kissé nyomja be a végét.
5. Ismételje meg ezeket a lépéseket a tengely és a görgő felszereléséhez az ellentétes oldalon is.
6. Szerelje fel a felverődésgátlót a gyorskapcsok segítségével (E).

**Megjegyzés:** Az alaptermék tartozékainak összeszereléséhez lásd az alaptermék kézikönyvét.

## Üzemeltetés

### A tartozék használata

1. Üzemeltesse a terméket teljes sebességen/ fordulatszámon (vagy majdnem teljes sebességen/ fordulatszámon) úgy, hogy a kefe a tisztítandó felületre támaszkodik.

**Megjegyzés:** Fárasztó és szükségtelen a kefért munka közben a felület fölé emelni, vagy ott megtartani.

2. Olyan szűk felületek tisztításakor, mint például az ösvények, a termék úgy is használható, hogy a szemét a kezelő elé kerüljön. Ha szélesebb felületeken szeretne dolgozni, lehet, hogy bizonyos szögben kell a géppel dolgoznia, így az egyik oldalon kisebb csíkok képződnek. A könnyű anyagból álló csíkok egy sorba vagy halomba gyűjthetők és a későbbiek folyamán eltávolíthatók. A kemény vagy nagy kiterjedésű anyagokat viszont több csíkban kell összegyűjteni.



3. A sarkok eléréséhez távolítsa el a felferődésgátlót, lazítsa meg a tartozék kapcsolóelemét, és fordítsa el a tartozékot egy fél fordulattal.



## FIGYELMEZTETÉS:

A szemetet ezután a gép a kezelő felé repítheti. Használjon alacsonyabb fordulatszámot, ha hátrafelé halad a termékkel, és gondoljon arra, hogy fokozottan fennáll a megbotlás veszélye.

4. Munka közben az eszközt a felülethez képest kis szögben tartsa. Túl nagy munkaszög esetén a seprőgép hajlamos a kezelő irányába mozdulni, ami a termék feletti uralom elvesztésének veszélyével járhat.



## Karbantartás

### Bevezető

Alább néhány általános karbantartási utasítást talál. További információkért forduljon az illetékes szakszervizhez.

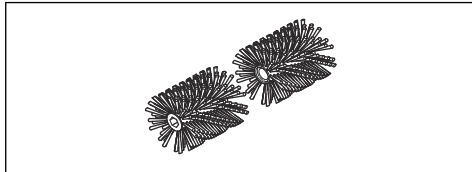
### A tartozék karbantartása



**VIGYÁZAT:** A tartozék poros körülmények között működik. Amennyiben benzines termékkel dolgozik, fontos a levegőszűrő rendszeres karbantartása. A megfelelő működés érdekében a levegőszűrőt be kell olajozni. A karbantartási utasításokért tekintse át a tápegység használati utasításait.

Ne érjen a sebvártóházhoz, különben megégetheti magát.

1. Ellenőrizze, hogy nem forognak-e a kefedobok a gázadagoló/kapcsológomb elengedésekor.



2. Ellenőrizze, hogy nem sérültek vagy repedtek-e a kefedobok. Ha a kefedobok elhasználtak, cserélje ki.  
3. Ha hosszabb ideig nem használja a keféket, felakasztva tárolja.



**FIGYELMEZTETÉS:** A sebvártóház a termék használata közben felforrósodik.



## Szállítás, tárolás és ártalmatlanítás

### Szállítás és tárolás

A vágófelszerelés szállítása esetén mindig jóváhagyott rögzítőberendezéseket használjon, és gondoskodjon a vágófelszerelés megfelelő rögzítéséről.

Mielőtt a vágófelszerelést hosszabb időre használaton kívül helyezné, tisztítsa meg alaposan, és végeztesse el teljes szervizét.

## Műszaki adatok

### A benzines termékekre vonatkozó műszaki adatok

|   |              |
|---|--------------|
| <b>Sörtés kefe</b>  | <b>BR600</b> |
| Kefedob szélessége, mm  | 597          |
| Kefedob átmérője, mm  | 270          |
| <b>Tömeg</b>  |              |
| Tömeg, kg   | 5,3          |
| <b>Zajkibocsátás</b> <sup>61</sup>  |              |
| Hangteljesítményszint, mért dB (A) érték  | 106          |
| Hangteljesítményszint, garantált, L <sub>WA</sub> dB (A)  | 110          |
| <b>Zajszintek</b> <sup>62</sup>   |              |
| A kezelő hallószervére gyakorolt, EN ISO 22868 szerint mért hangnyomásszint, dB(A):                               | 94           |
| <b>Rezgés</b> <sup>63</sup>   |              |
| Az ISO 22867 szerint mért ekvivalens rezgésszintek (a <sub>h<sub>v</sub>,eq</sub> ) a fogantyún, m/s <sup>2</sup> |              |
| Első/hátsó fogantyú   | 3,7/6,2      |

### Az akkumulátoros termékekre vonatkozó műszaki adatok

|  |     |
|--|-----|
| <b>325iLK + Sörtés kefe tartozék BR600</b> |     |
| Kefedob szélessége, mm                     | 597 |
| Kefedob átmérője, mm                       | 270 |
| <b>Tömeg</b>                               |     |

<sup>61</sup> A környezetben a 2000/14/EK sz. EK irányelvvel összhangban hangteljesítményként mért zajkibocsátás (L<sub>WA</sub>). A gép jelentősben szereplő hangteljesítményszintjét a legmagasabb szintet produkáló eredeti vágófelszereléssel mérték. A garantált és a mért hangteljesítmény közötti különbségnek az az oka, hogy a garantált hangteljesítmény tartalmazza a mérési eredményben lévő ingadozást és az azonos modellű gépek közti eltéréseket is a 2000/14/EK jelű irányelv értelmében.

<sup>62</sup> A gép ekvivalens hangnyomásszintjére vonatkozó jelentési adatok az 1 dB (A) tipikus statisztikus ingadozásával (szórásával) rendelkeznek.

<sup>63</sup> Az ekvivalens rezgésszintre vonatkozó jelentési adatok az 1 m/s<sup>2</sup> tipikus statisztikus ingadozásával (szórásával) rendelkeznek.

|   |         |
|---|---------|
| <b>325iLK + Sörtés kőfe tartozék BR600</b>  |         |
| Tömeg, kg   | 2,3+5,3 |
| <b>Zajkibocsátás</b> <sup>64</sup>  |         |
| Hangteljesítményszint, mért dB (A) érték  | 90      |
| <b>Zajszintek</b> <sup>65</sup>   |         |
| A kezelő hallószervére gyakorolt, ISO 22868 szerint mért hangnyomásszint, dB (A): | 80      |
| <b>Rezgés</b> <sup>66</sup>   |         |
| Az EN 62841-1 szerint mért rezgésszintek a fogantyúban, m/s <sup>2</sup>          |         |
| Jóváhagyott tartozékokkal ellátva (eredeti), bal/jobb                             | 3,3/3,1 |

<sup>64</sup> A gép hangteljesítményszintjére vonatkozó jelentési adatok a 3 dB (A) tipikus statisztikus ingadozásával (szórásával) rendelkeznek. A hangteljesítményszint mérése a legmagasabb szintet produkáló eredeti felszereléssel történt.

<sup>65</sup> A gép hangnyomásszintjére vonatkozó jelentési adatok a 3 dB (A) tipikus statisztikus ingadozásával (szórásával) rendelkeznek. A hangnyomásszint mérése a legmagasabb szintet produkáló eredeti felszereléssel történt.

<sup>66</sup> A rezgésszintre vonatkozó jelentési adatok az 2 m/s<sup>2</sup> tipikus statisztikus ingadozásával (szórásával) rendelkeznek. A rezgésszintek, valamint az akkumulátorral, illetve az üzemanyaggal működő termékek összehasonlításához használja a rezgésterhelési kalkulátort. <https://www.husqvarna.com/uk/services-solutions/vibration-calculator/>.

# Megfelelőségi nyilatkozat

## EU megfelelési nyilatkozat

A **Husqvarna AB**, SE-561 82 Huskvarna, Sweden (tel.: +46-36-146500), a saját felelősségére kijelenti, hogy a termék:

|                     |                                |
|---------------------|--------------------------------|
| <b>Leírás</b>       | Sörtés tartozék                |
| <b>Márka</b>        | Husqvarna                      |
| <b>Típus/modell</b> | BR600                          |
| <b>Megjelölés</b>   | 2022-as és újabb sorozatszámok |

teljes mértékben megfelelnek a következő EU-irányelveknek és szabályozásoknak:

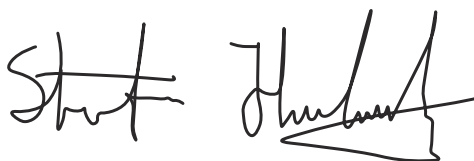
| <b>Irányelv/rendelet</b> | <b>Leírás</b>   |
|--------------------------|---|
| 2006/42/EK               | „gépre vonatkozó”   |
| 2000/14/EK               | „környezeti zajkibocsátásra vonatkozó”  |
| 2011/65/EU               | „az egyes veszélyes anyagok elektromos és elektronikus berendezésekben való alkalmazásának korlátozására vonatkozó” |

valamint hogy az alábbi szabványok és/vagy műszaki előírások kerültek alkalmazásra: EN ISO 12100:2010, EN IEC 63000:2018

Az RISE SMP Svenska Maskinprovning AB, Box 7035, SE-750 07 Uppsala, Sweden önkéntes típusvizsgálatot végzett a Husqvarna AB nevében.

Tanúsítvány száma: SEC/15/2412

Huskvarna, 2022-03-29



Stefan Holmberg, K+F igazgató, Technológiai menedzsment, Husqvarna AB

A műszaki dokumentációk felelőse



## TURINYS

|                 |     |  |     |
|-----------------|-----|--|-----|
| Įvadas.....     | 108 | Techninė priežiūra.....                          | 113 |
| Sauga.....      | 109 | Transportavimas, saugojimas ir utilizavimas..... | 114 |
| Surinkimas..... | 112 | Techniniai duomenys.....                         | 114 |
| Naudojimas..... | 113 | Atitikties deklaracija.....                      | 116 |

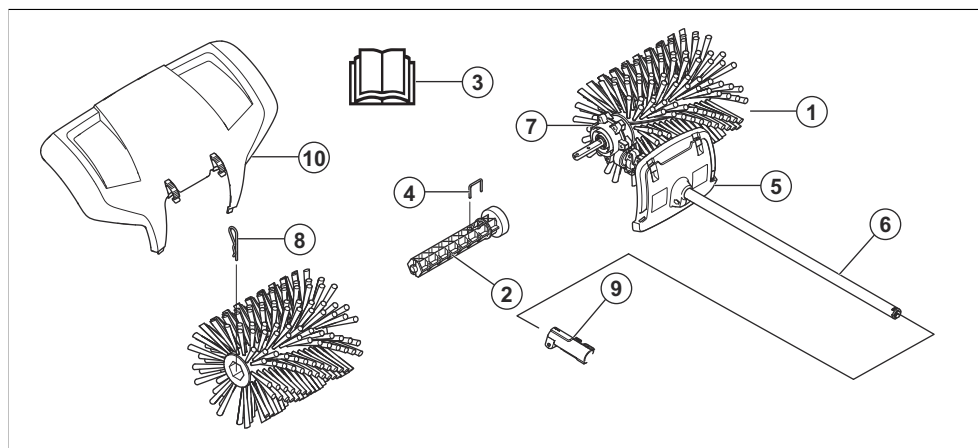
## Įvadas

### Gaminio aprašas

Mes nuolat siekiame tobulinti savo gaminius, pasilikdami sau teisę keisti jų formą ir išvaizdą be išankstinio pranešimo.

**Pasižymėkite:** Šiame vadove apžvelgiami tiek benzininis, tiek akumuliatorinis gaminys.

### Priedo apžvalga.



1. Šepečio būgnas
2. Būgno ašis
3. Operatoriaus vadovas
4. Fiksavimo smeigė
5. Apsaugas (apsauga ant veleno)
6. Velenas
7. Pavaros korpusas
8. Išardomasis kaištis
9. Veleno mova (pateikiama kartu su gaminiu)
10. Purvasaugis

### Simboliai ant įtaiso ir maitinimo bloko



Aplaidžiai ar netinkamai naudojant šį priedą gali būti sunkiai ar net mirtinai sužeistas naudotojas ar kiti žmonės.

### Naudojimas



**PERSPĖJIMAS:** Šis priedas gali būti naudojamas tik su numatytu gaminiu. Žr. gaminio naudojimo instrukcijos priedų skyrių.

Priedas skirtas tik vejoms, takams, asfaltuotiems keliams ir pan. valyti.



Prieš naudodami priedą atidžiai perskaitykite naudojimo instrukciją ir įsitikinkite, ar viską gerai supratote.



Naudokite patvirtintas apsaugines ausines. Naudokite patvirtintas akių apsaugos priemones. Jei yra tikimybė, kad gali atsirasti dulkių, naudokite respiratorių.



Šis įtaisas atitinka jam taikomas EB direktyvas.



Šis gaminys atitinka taikytinų JK reglamentų nuostatas.



Sukamosios dalys. Saugokite rankas ir kojas. Rodyklė nurodo sukimosi kryptį.



Visada mūvėkite patvirtintas apsaugines pirštines.



Avėkite tvirtus, neslystančius batus.



Saugokitės svaidomų ir rikošetu atšokusių daiktų.



Operatorius privalo įsitikinti, kad arčiau kaip 15 m nėra žmonių ar gyvūnų. Kai toje pačioje vietoje dirba keli operatoriai, turi būti užtikrintas ne mažesnis kaip 15 m saugus atstumas. Įtaisas gali stipriai išsviesti objektus, kurie gali atšokti atgal, ir sunkiai sužaloti akis, jeigu nenaudojate rekomenduojamos saugos įrangos.



Naudodami įrenginį laikykitės ne mažesniu kaip 15 m / 50 pėd. atstumu nuo žmonių ir gyvūnų.



Jokia kūno dalimi nesilieskite prie įkaitusių paviršių.



Triukšmo emisijos į aplinką ženklimas atitinka ES ir Jungtinės Karalystės direktyvas bei reglamentus ir Naujojo Pietų Velso įstatymą „2017 m. aplinkos apsaugos (triukšmo kontrolės) reglamentas“. Gaminio garantuotasis garso galios lygis nurodytas *Techniniai duomenys psl. 114* ir etiketėje.

**Pasižymėkite:** Kiti ant priedo pateikti simboliai (lipdukai) skirti specialiems kai kurių rinkų sertifikavimo reikalavimams.

## Sauga

### Saugos ženklų reikšmės

[spėjimai, perspėjimai ir pastabos yra skirtos atkreipti dėmesį į ypač svarbias naudotojo instrukcijos dalis.



**PERSPĖJIMAS:** Naudojamas, kai naudotojui ar šalia esantiems asmenims kyla mirtino arba sunkaus sužeidimo pavojus arba, jei nesilaikoma naudotojo instrukcijoje pateiktų nurodymų.



**PASTABA:** Naudojamas, kai kyla pavojus sugadinti gaminį ir (arba) priedą, kitas medžiagas arba padaryti žalą aplinkai, jei nesilaikoma naudotojo instrukcijoje pateiktų nurodymų.

**Pasižymėkite:** Naudojama pateikti daugiau, nei būtina esamoje situacijoje, informacijos.

### Bendrieji saugos nurodymai



**PERSPĖJIMAS:** Prieš naudodami priedą, perskaitykite toliau esančius saugos nurodymus.

- Prieš naudodami priedą atidžiai perskaitykite naudojimo instrukciją ir įsitikinkite, ar viską gerai supratote.
- Šios instrukcijos papildo gaminio instrukcijas. Informacijos apie kitas procedūras rasite savo gaminio naudojimo instrukcijose.
- Be gamintojo leidimo joku atveju negalima keisti originalios priedo konstrukcijos. Nenaudokite priedo, kurį galėjo modifikuoti kiti asmenys ir naudokite

tik originalius priedus. Nesuderinti konstrukcijos pakeitimai bei nepritaikytos detalės gali sukelti rimtus kūno sužalojimus ir net mirtį.

## Perskaitykite visas instrukcijas



**PERSPĖJIMAS:** Naudojant elektrinius sodo prietaisus, visada reikia laikytis pagrindinių saugos priemonių, kad būtų sumažinta gaisro, elektros smūgio ir sužalojimų rizika, įskaitant šiuos nurodymus:

## Naudojimo saugos instrukcijos



**PERSPĖJIMAS:** Prieš naudodami gaminį, perskaitykite toliau esančius įspėjimus.

- Užtikrinkite, kad gaminys nebūtų netyčia paleistas jį montuojant, tikrinant ir (arba) atliekant techninę priežiūrą. Jei turite benzino varomą gaminį, nuo uždegimo žvakės nuimkite uždegimo žvakės antgalį. Jei turite akumuliatoriumi varomą gaminį, išimkite akumuliatorių.
- Kartais į akėtvirbalį gali patekti žolės ir akmenų. Tokiu atveju visada sustabdykite variklį ir išvalykite.
- Saugokitės į orą pakeliamų daiktų. Visada užsidėkite akių apsaugos priemones. Niekada nesulenkite šepetio būgno. Akmenukai, šiukšlės ir pan. gali pataikyti į akis ir apakinti ar sunkiai jas sužaloti.
- Dirbant pavara įkaista ir paskui kurį laiką gali būti įkaitusi. Todėl nesilieskite, nes yra pavojus nusideginti.
- Užvesdami tvirtai laikykite gaminį.
- Nors šepetio būgnai neturi tokios jėgos, kaip vejapjovės peiliai, tačiau turėtumėte vengti daiktų, kurie išsviesti gali sužaloti ar apgadinti turtą.
- Niekada nenaudokite gaminio, jei nelaimės atveju nebūtų kaip iškviesti pagalbą.
- Įrenginį naudokite tik tiems tikslams, kuriems jis yra skirtas.
- Niekada nenaudokite gaminio, jei esate pavargę, jei vartojote alkoholį ar vaistus, kurie gali turėti įtakos jūsų regėjimui, nuovokai ar koordinacijai.
- Niekada nenaudokite gaminio ekstremaliomis klimatinėmis sąlygomis, pvz., esant dideliam šalčiui ar labai karštam ir/arba drėgnam klimatui.
- Niekada nenaudokite techniškai netvarkingo gaminio. Vykdykite šiam vadove nurodytas tikrinimo, techninės priežiūros ir remonto procedūras. Kai kuriuos techninės priežiūros darbus gali atlikti tik apmokyti ir kvalifikuoti specialistai. Žiūrėkite nurodymus, pateikiamus skyriuje „Techninė priežiūra“.
- Niekada neleiskite vaikams naudotis gaminiumi.
- Nekuomet niekam neleiskite naudoti gaminio prieš tai neįsitikinę, kad jie perskaitė ir suprato naudojimo instrukcijoje pateiktus nurodymus.

- Neprisileiskite artyn pašalinių asmenų. Kai dirbate, vaikai, gyvuliai, stebėtojai ir padėjėjai turi būti toulė 15 metrų atstumu. Kam nors priartėjus, nedelsdami sustabdykite gaminį.
- Jei tam tikroje situacijoje nežinosite kaip pasielgti, teiraukitės specialisto. Kreipkitės į pardavėją ar aptarnavimo dirbtuves.
- Nedirbkite darbo, kurio nemokate ar jaučiatės nepakankamai kvalifikuotas.
- Prieš užvesdami pjovimo įrangą, visada apsidairykite ir įsitinkinkite, ar ji nepasieks kitų netoliese esančių žmonių ar gyvūnų.
- Jeigu dėvėte apsaugines ausines, būkite atidūs, kad išgirstumėte galimus įspėjamosius signalus ar šūksnius. Išjungę variklį visada nusiimkite apsaugines ausines.
- Nenaudokite gaminio blogu oru, pavyzdžiui, esant tirštam rūkui, smarkiai lyjant, pučiant stipriam vėjui, per didelius šalčius ir t. t. Dirbant per šalčius pavargstama ir dažnai atsiranda papildomų rizikų, pvz., apledėjusi žemė.
- Įsitinkinkite, kad galite laisvai stovėti ir judėti.



- Prieš perkeliant gaminį, būtina jį išjungti.
- Neišjungę variklio nedėkite gaminio ant žemės, jei ji aiškiai nematote.
- Gaminį visada laikykite dviem rankom. Gaminį laikykite prie kūno.
- Įsitinkinkite, kad veikiant varikliui, rankos ir kojos nėra šalia šepetio.
- Išjungę variklį rankas ir kojas laikykite atokiau nuo šepetio, kol jis visiškai sustos.
- Jei pradeda labai vibruoti, gaminį sustabdykite. Jei turite benzino varomą gaminį, nuo uždegimo žvakės atjunkite HT laidą. Jei turite akumuliatoriumi varomą gaminį, išimkite akumuliatorių. Įsitinkinkite, kad gaminys nepažeistas. Suremontuokite pažeidimus.

## Asmeninės apsauginės priemonės

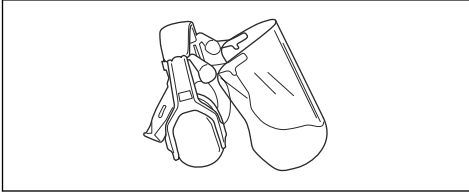


**PERSPĖJIMAS:** Prieš naudodami gaminį, perskaitykite toliau esančius įspėjimus.

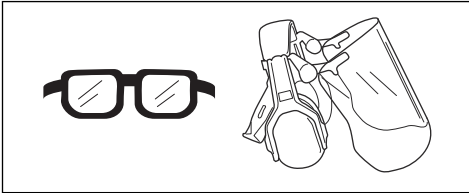
- Naudodami įrenginį būtina dėvėti patvirtintas asmenines apsaugines priemones. Asmeninės apsauginės priemonės nepadės visiškai išvengti pavojaus susižeisti, tačiau nelaimingo atsitikimo

atveju mažiau nukentėsite. Leiskite prekybos atstovui padėti pasirinkti tinkamą įrangą.

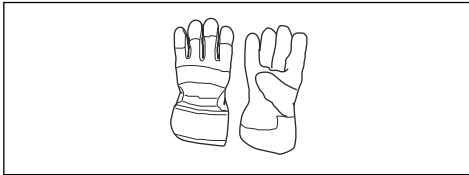
- Naudokite pakankamomis garso slopinimo savybėmis pasižyminčias patvirtintas apsaugines ausines. Ilgalaikis triukšmo poveikis gali nesugrąžinamai pakenkti klausai.



- Naudokite patvirtintas akių apsaugos priemones. Jei naudojamas apsauginis skydelis, turi būti nešiojami ir patvirtinti apsauginiai akiniai. Patvirtinti apsauginiai akiniai yra tie, kurie atitinka JAV ANSI Z87.1 standartą arba ES EN 166 standartą.



- Kai būtina, pvz., montuojant, apžiūrint arba valant pjovimo įrangą, užsimaukite pirštines.



- Avėkite apsauginius batus su plieninėmis nosimis ir neslystančiais padais.



- Vilkėkite iš stiprios medžiagos pagamintus drabužius. Būtinai mūvėkite tvirtas, ilgas kelnes, vilkėkite aprangą ilgomis rankovėmis. Nevilkėkite laisvų drabužių, kurie gali užkibti už krūmokšnių ir šakų. Nenešiokite papuošalų, trumpų kelnų ar atvirų batų ir nevaikščiokite basomis. Saugiai susisėkite plaukus aukščiau pečių.

- Netoliese turi būti pirmosios pagalbos vaistinė.



## Priedo apsauginės priemonės



**PERSPĖJIMAS:** Prieš naudodami gaminį, perskaitykite toliau esančius išpėjamuosius nurodymus.

Šiame skyriuje pasakojama apie priedo saugos priemones, jų paskirtį ir patariama, kaip atlikti patikrą ir ją prižiūrėti siekiant, kad įrenginys veiktų tinkamai. Žr. instrukcijas prie antraštės *Priedo apžvalga. psl. 108* ir sužinokite, kioje vietoje tos dalys yra priede.

Priedo tarnavimo laikas gali sutrumpėti, o nelaimingų atsitikimų pavojus gali padidėti, jei priedas nebus tinkamai prižiūrimas, o aptarnavimas ir (arba) remonto darbai nebus atliekami profesionaliai. Prireikus daugiau informacijos, prašome kreiptis į artimiausią techninės priežiūros atstovą.



**PERSPĖJIMAS:** Niekada nenaudokite priedo, kurio apsauginės dalys yra pažeistos. Priedo saugos įranga turi būti tikrinama ir prižiūrima taip, kaip yra aprašyta šiame skyrelyje. Jei priedas neatitinka bet kurio iš šių kontrolinių reikalavimų, kreipkitės į savo techninės priežiūros atstovą dėl gaminio remonto.



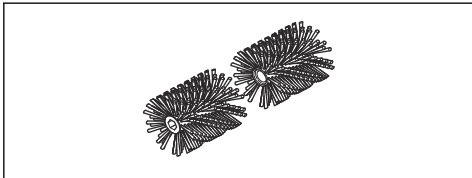
**PERSPĖJIMAS:** Gaminio techninė priežiūra ir taisyimas reikalauja specialaus pasirengimo. Tai ypač susiję su gaminio saugos įranga. Jei jūsų gaminys neatitiks nors vieno iš toliau pateiktų kontrolės reikalavimų, kreipkitės į sertifikuotą remonto dirbtuvę. Įsigijus mūsų gaminį, garantuojame profesionalų aptarnavimą ir techninę priežiūrą. Jei gamino pardavėjas neatlieka aptarnavimo, paprašykite jo duoti artimiausios remonto dirbtuvės adresą.

## Priežiūros saugos instrukcijos



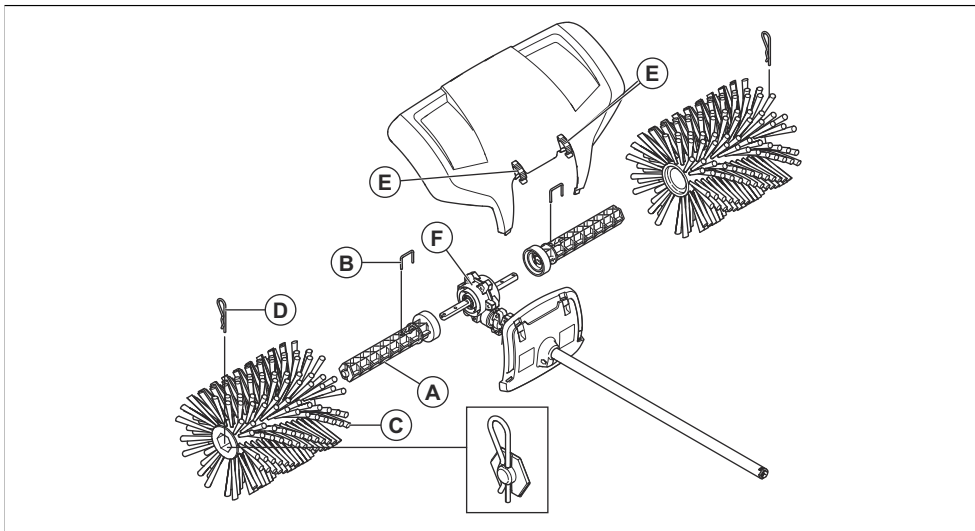
**PERSPĖJIMAS:** Prieš atikdami priedo techninę priežiūrą visada sustabdykite gaminį. Atsargiai, atleidus akceleratorių / maitinimo jungiklį priedas gali toliau judėti. Įsitinkinkite, kad priedas visiškai sustojo. Jei turite benzinu varomą gaminį, nuo uždegimo žvakės atjunkite HT laidus. Jei turite akumuliatorių varomą gaminį, išimkite akumuliatorių.

- Prieš praddami, patikrinkite visą gaminį. Pakeiskite pažeistas dalis.
- Patikrinkite, ar yra visi apsaugai ir gaubtai ir ar jie tinkamai pritvirtinti. Patikrinkite visas veržles ir poveržles.
- Jei turite benzino varomą gaminį, įsitinkinkite, kad nėra benzino nuotėkių.
- Patikrinkite, ar šepetio būgnai nėra pažeisti, neištrūkę ir neturi kitų defektų.



## Surinkimas

### Priedo surinkimas



1. Užspauskite vieną būgno ašį (A) ant vienos iš dviejų varančiųjų velenų, kyšančių iš pavaros korpuso (F). Jei reikia, pasukite būgno ašį taip, kad kaiščio kiurymė būtų virš atitinkamos kiurymės, esančios varančiame velene.
2. Ritinio veleną užfiksavokite fiksavimo kaiščiu (B).
3. Užmaukite vieną šepetio veleną (C) ant sumontuoto veleno. Spauskite ritinį, kol jis sustos.

4. Ritinį ant veleno pritvirtinkite pleištinio kaiščiu (D). Montuodami šiek tiek paspauskite galą.
5. Pakartokite šiuos veiksmus montuodami ašį ir ritinį priešingoje pusėje.
6. Spauskiais (E) pritvirtinkite apsaugą.

**Pasižymėkite:** Kaip ant bazinio gaminio sumontuoti priedus, žr. bazinio gaminio instrukcijoje.



# Naudojimas

## Priedo naudojimas

1. Kai šepetys remiasi į paviršių, gaminį paleiskite didžiausiomis apsucomis / didžiausiu greičiu (arba beveik didžiausiomis apsucomis / didžiausiu greičiu).

**Pasižymėkite:** Dirbant laikyti šepetį pakeltą virš paviršiaus yra sunku ir nebūtina.

2. Valydami siaurus paviršius, pvz., takus, gaminį galima naudoti taip, kad medžiagos būtų išmetamos tiesiai prieš jus. Jei norite dirbti ant platesnių paviršių, gali tekti dirbti tokiu kampu, kad vienoje pusėje susidarytų krūva. Krūveles, sudarytas iš lengvų medžiagų, galima surinkti į eilę ar didesnę krūvą ir vėliau surinkti, o kietas ar stambesnes medžiagas gali tekti surinkti į kelias krūvas.



3. Jei norite pasiekti kampus, nuimkite apsaugą nuo taškymo, atsukite priedo jungtį ir pasukite jį pusę apsisukimo.



**PERSPĖJIMAS:** Šiukšlės tuomet bus išmetamos link naudotojo. Gaminį judant atgal, nustatykite mažesnę greitį ir atmintkite, kad lengva užkliūti.

4. Mažas darbo kampas turi būti paviršiuje. Per didelis darbo kampas reiškia, kad šepetys linkęs judėti link jūsų, todėl rizikuojate prarasti gaminio valdymą.



## Techninė priežiūra

### Įvadas

Toliau pateikiamos bendros priežiūros instrukcijos. Jei reikia daugiau informacijos, prašome kreiptis į techninio aptarnavimo dirbtuves.

### Priedo techninė priežiūra



**PASTABA:** Priedas naudojamas nešvarioje aplinkoje. Jei naudojate benziniu varomą gaminį, labai svarbu reguliariai atlikti oro filtro techninę priežiūrą. Oro filtrą

būtina sutepti alyva, kad jis veiktų tinkamai. Techninės priežiūros instrukcijų ieškokite maitinimo bloko naudojimo instrukcijoje.

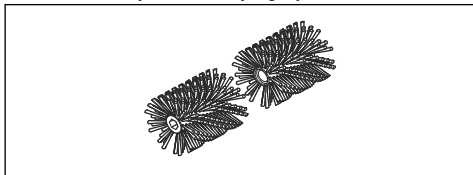


**PERSPĖJIMAS:** Naudojant gaminį įkaista pavaros korpusas. Nelieskite pavaros norėdami išvengti nudegimo žaizdų.

1. Patikrinkite, ar šepėčio būgnai nesisuka atleidus akceleratorių / maitinimo jungiklį.

2. Patikrinkite, ar šepėčio būgnai nėra pažeisti ar įtrūkę. Jei reikia, pakeiskite šepėčio būgnus.

3. Ilgą laiką saugokite šepetį pakabinę.



## Transportavimas, saugojimas ir utilizavimas

### Pervežimas ir laikymas

Jei padargas transportuojamas kita transporto priemone, visada naudokite tvirtinimo įtaisus ir įsitinkite, kad padargas saugiai pritvirtintas.

Jei padargu nesiruošiate naudotis ilgesnį laiko tarpą, užtikrinkite, kad jis būtų gerai išvalytas ir atlikti visi techninės priežiūros darbai.

## Techniniai duomenys

### Benzinu varomų gaminių techniniai duomenys

|   |              |
|---|--------------|
| <b>Šepetys su šeriais</b>   | <b>BR600</b> |
| Šepėčio būgno plotis, mm  | 597          |
| Šepėčio būgno skersmuo, mm  | 270          |
| <b>Svoris</b>   |              |
| Svoris, kg  | 5,3          |
| <b>Skleidžiamas triukšmas</b> <sup>67</sup>   |              |
| Garso galios lygis, išmatuotas dB (A)   | 106          |
| Garso galios lygis, garantuojamas L <sub>WA</sub> dB (A)  | 110          |
| <b>Garso lygiai</b> <sup>68</sup>   |              |
| Tolygus garso slėgio naudotojo ausiai lygis, matuojamas pagal EN ISO 22868, dB (A):                         | 94           |
| <b>Vibracija</b> <sup>69</sup>  |              |
| Ekvivalentiški rankenų vibracijos lygiai (a <sub>hv,eq</sub> ), išmatuoti pagal ISO 22867, m/s <sup>2</sup> |              |
| Priekinės / galinės rankenos  | 3,7 / 6,2    |

<sup>67</sup> Triukšmas, skleidžiamas į aplinką, išmatuotas kaip garso galia (L<sub>WA</sub>) pagal EB direktyvą 2000/14/EB. Pateiktas įrenginio garso stiprumo lygis buvo išmatuotas naudojant didžiausią garsą sukeltantį originalų pjovimo įtaisą. Skirtumas tarp garantuojamojo ir matuojamojo garso stiprumo yra tas, kad pagal Direktyvą 2000/14/EB garantuojamasis garso stiprumas apima ir matavimo rezultatų sklaidą bei nukrypimus tarp skirtingų to pačio modelio įrenginių.

<sup>68</sup> Pateiktuose duomenyse apie ekvivalentinį įrenginio garso slėgio lygį yra 1 dB (A) tipiška statistinė sklaida (standartinis nuokrypis).

<sup>69</sup> Pateiktuose atitinkamo vibracijos lygio duomenyse yra 1 m/s<sup>2</sup> tipiška statistinė sklaida (standartinis nuokrypis).

## Akumulatoriumi varomų gaminių techniniai duomenys

|   |           |
|---|-----------|
| <b>325ILK + šepečio su šeriais priedas BR600</b>                          |           |
| Šepečio būgno plotis, mm  | 597       |
| Šepečio būgno skersmuo, mm  | 270       |
| <b>Svoris</b>   |           |
| Svoris, kg  | 2,3 + 5,3 |
| <b>Skleidžiamas triukšmas</b> <sup>70</sup>                               |           |
| Garso galios lygis, išmatuotas dB (A)                                     | 90        |
| <b>Garso lygiai</b> <sup>71</sup>   |           |
| Garso slėgio naudotojo ausiai lygis, matuojamas pagal ISO 22868, dB (A):  | 80        |
| <b>Vibracija</b> <sup>72</sup>  |           |
| Vibracijos lygis rankenose, išmatuotas pagal EN 62841-1, m/s <sup>2</sup> |           |
| Su patvirtintu naudoti originaliu (kairiuoju arba dešiniuoju) priedu      | 3,3 / 3,1 |

<sup>70</sup> Pateiktuose duomenyse apie įrenginio garso galios lygį nurodoma 3 dB (A) tipiška statistinė sklaida (standartinis nuokrypis) ir ji buvo išmatuota naudojant didžiausią garšą sukeltantį originalų priedą.

<sup>71</sup> Pateiktuose duomenyse apie įrenginio garso slėgio lygį nurodoma 3 dB (A) tipiška statistinė sklaida (standartinis nuokrypis) ir ji buvo išmatuota naudojant didžiausią garšą sukeltantį originalų priedą.

<sup>72</sup> Pateiktuose vibracijos lygio duomenyse yra 2 m/s<sup>2</sup> tipiška statistinė sklaida (standartinis nuokrypis). Siekiant palyginti vibracijos lygius, akumulatoriniams ir vidaus degimo gaminiams naudojamas vibracijos skaičiuotavas. <https://www.husqvarna.com/uk/services-solutions/vibration-calculator/>.

# Atitikties deklaracija

## ES atitikties deklaracija

Mes, **Husqvarna AB**, SE-561 82 Huskvarna, Švedija, tel. +46-36-146500, atsakingai patvirtiname, kad gaminy:

|                                |  |
|--------------------------------|--|
| <b>Aprašymas</b>               | Šepetėlių tvirtinimas                            |
| <b>Gamintojas</b>              | Husqvarna  |
| <b>Tipas / modelis</b>         | BR600  |
| <b>Identifikacijos numeris</b> | Serijos numeriai nuo šios datos: 2022 ir vėlesni |

visiškai atitinka šias ES direktyvas ir reglamentus:

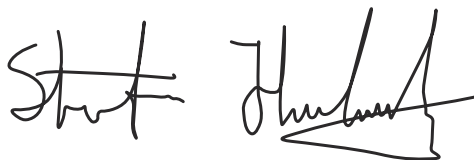
| <b>Direktyva / reglamentas</b> | <b>Aprašymas</b>   |
|--------------------------------|--|
| 2006/42/EB                     | „dėl mašinų“   |
| 2000/14/EB                     | „dėl į aplinką skleidžiamo triukšmo“   |
| 2011/65/ES                     | „dėl tam tikrų pavojingų medžiagų naudojimo elektros ir elektroninėje įrangoje apribojimo“ |

ir kad laikomasi šių standartų ir (arba) techninių specifikacijų: EN ISO 12100:2010, EN IEC 63000:2018

„RISE SMP Svenska Maskinprovning AB, Box 7035, SE-750 07 Uppsala, Sweden“ atliko savanorišką tipo tyrimą „Husqvarna AB“ vardu.

Sertifikato numeris: SEC/15/2412

Huskvarna, 2022-03-29



Stefan Holmberg, mokslinių tyrimų ir plėtros direktorius, technologijų vadyba, „Husqvarna AB“

Atsakingas už techninę dokumentaciją



## Saturs

|                |     |  |     |
|----------------|-----|--|-----|
| Ievads.....    | 117 | Apkope.....                                | 122 |
| Drošība.....   | 118 | Pārvadāšana, glabāšana un utilizēšana..... | 123 |
| Montāža.....   | 121 | Tehniskie dati.....                        | 123 |
| Lietošana..... | 122 | Atbilstības deklarācija.....               | 125 |

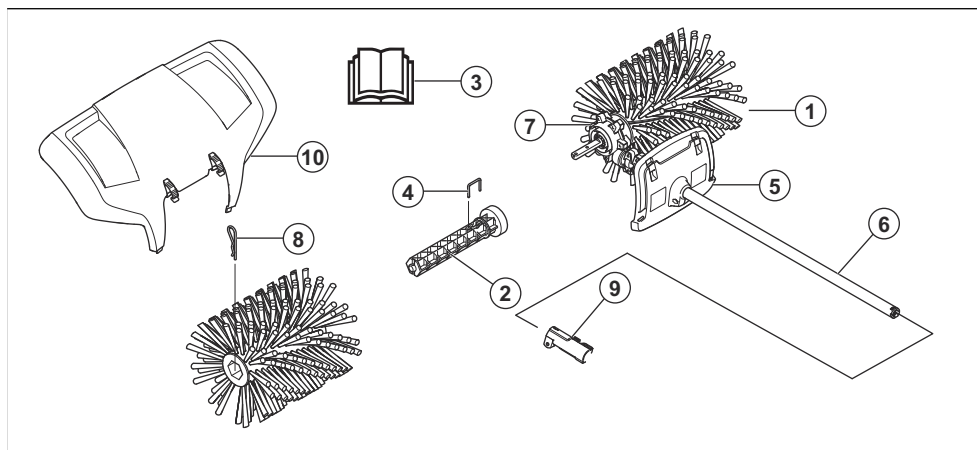
## Ievads

### Izstrādājuma apraksts

Mēs pastāvīgi strādājam, lai pilnveidotu savus izstrādājumus, un tāpēc paturam tiesības izdarīt izmaiņas, piemēram, izstrādājumu formai un izskatam bez iepriekšēja paziņojuma.

**Piezīme:** Šī rokasgrāmata attiecas gan uz instrumentiem, kas darbojas ar benzīnu, gan tiem, kas darbojas ar akumulatoru.

### Pārskats par ierīci



1. Sukas veltnis
2. Veltņa ass
3. Lietošanas rokasgrāmata
4. Fiksācijas tapa
5. Aizsargs (aizsargs uz kāta)
6. Kāts
7. Pārnesumkārbas korpus
8. Sazarojuma tapa
9. Kāta savienojums (iekļauts izstrādājuma komplektā)
10. Šjakatu aizsargs

### Paredzētā lietošana



**BRĪDINĀJUMS:** Šo palīgierīci var izmantot tikai kopā ar paredzēto izstrādājumu; skatiet piederumu nodaļu izstrādājuma lietošanas rokasgrāmatā.

Palīgierīce ir paredzēta tikai taku, asfaltētu ceļu un līdzīgu virsmu slaucīšanai.

### Apzīmējumi uz palīgierīces un barošanas bloka



Pavirša vai nepareiza šīs palīgierīces lietošana var radīt smagas vai nāvējošas traumas lietotājam vai citiem.



Rūpīgi izlasiet šo lietošanas rokasgrāmatu un pirms palīgierīces lietošanas pārlicinieties, vai izprotat norādījumus.



Izmantojiet apstiprinātus dzirdes aizsarglīdzekļus. Izmantojiet apstiprinātus acu aizsarglīdzekļus. Ja pastāv putekļu rašanās risks, izmantojiet elpošanas masku.



Šis piederums atbilst spēkā esošajām EK direktīvām.



Šis izstrādājums atbilst spēkā esošajiem AK noteikumiem.



Rotējošas daļas. Turiet rokas un kājas drošā attālumā. Bultiņa norāda griešanās virzienu.



Vienmēr lietojiet apstiprinātus aizsargcimdus.



Izmantojiet neslīdošus un stabilus zābakus.



Sargieties no mestiem un rikošetā atlecošiem priekšmetiem.



Lietotājam jānodrošina, lai citi cilvēki vai dzīvnieki nebūtu darba vietai tuvāk par 15 metriem. Ja vairāki ierīces lietotāji strādā vienā darba vietā, drošības attālumam ir jābūt ne mazākam par 15 metriem. Piederums ar lielu spēku var izmest priekšmetus, kas, atsitoties, var atlēkt atpakaļ. Nelietojot atbilstošu drošības aprikojumu, tas var radīt smagas acu traumas.



Izstrādājuma lietošanas laikā ievērojiet minimālo attālumu — 15 m/50 pēdas — no cilvēkiem un dzīvniekiem.



Raugieties, lai ķermeņa daļas neatrastos karstu virsmu tuvumā.



Trokšņa emisijas vidē uzlīme atbilstoši ES un Apvienotās Karalistes direktīvām un noteikumiem, kā arī Jaundienvidvelsas tiesību aktam "Darba vides aizsardzības (trokšņa kontroles) regula (2017)". Izstrādājuma garantētais skaņas jaudas līmenis ir norādīts *Tehniskie dati lpp. 123* un uz etiķetes.

**Piezīme:** Pārējie uz ierīces norādītie simboli/norādes atbilst noteiktu valstu sertifikācijas prasībām.

## Drošība

### Drošības definīcijas

Brīdinājumi, norādes "Uzmanību!" un piezīmes tiek izmantotas, lai izceltu īpaši svarīgas lietotāja rokasgrāmatas daļas.



**BRĪDINĀJUMS:** Tiek izmantota tad, ja rokasgrāmatā sniegto instrukciju neievērošanas dēļ rodas izstrādājuma un/vai blakus esošajām personām draud traumu vai nāves risks.



**IEVĒROJIET:** Tiek izmantota tad, ja rokasgrāmatā sniegto instrukciju neievērošanas dēļ rodas izstrādājuma un/vai papildaprīkojuma, citu materiālu vai blakus esošās teritorijas bojājuma risks.

**Piezīme:** Tiek izmantota, lai sniegtu plašāku informāciju, kas nepieciešama attiecīgajā situācijā.

### Vispārīgi norādījumi par drošību



**BRĪDINĀJUMS:** Pirms sākat lietot šo ierīci, izlasiet zemāk izklāstītās drošības instrukcijas.

- Rūpīgi izlasiet šo lietotāja rokasgrāmatu un pirms ierīces lietošanas pārliecinieties, vai izprotat norādījumus.
- Šīs instrukcijas ir izstrādājuma komplektācijā iekļauto instrukciju papildinājums. Sīkaku lietošanas informāciju skatiet ekspluatācijas instrukcijās.
- Nekādā gadījumā bez ražotāja atļaujas nedrīkst mainīt šīs ierīces konstrukciju. Nelietojiet ierīci, ko varētu būt pārveidojušas trešās puses, un obligāti izmantojiet oriģinālos piederumus. Neatļautas izmaiņas un/vai neatļauti piederumi var radīt smagas vai nāvējošas traumas izstrādājuma lietotājam un citiem.

## Izlasiet visus norādījumus



**BRĪDINĀJUMS:** Lietojot elektriskās dārza kopšanas ierīces, obligāti jāievēro pamata drošības pasākumi, lai samazinātu aizdegšanās, strāvas triecienu un traumu risku, tostarp jāievēro tālāk norādītais.

## Norādījumi par drošu darbu



**BRĪDINĀJUMS:** Pirms sākat lietot izstrādājumu, izlasiet turpmāk izklāstītos brīdinājumus.

- Uzmanieties, lai palīgierīce netiktu nejauši ieslēgta, veicot montāžu, pārbaudi un/vai apkopi. Ja izmantojat ar benzīnu darbināmu izstrādājumu, noņemiet aizdedzes sveces uzgali no aizdedzes sveces. Ja izmantojat ar akumulatoru darbināmu izstrādājumu, noņemiet akumulatoru.
- Dažkārt zaros var iesprūst zāle un akmeņi. Pirms sākat tīrīšanu, vienmēr izslēdziet dzinēju/motoru.
- Sargieties no izvīstiem priekšmetiem. Vienmēr lietojiet acu aizsargus. Nekādā gadījumā neliecieties pāri sukai veltnim. Akmeņi, netīrumi u.c. var tikt izvīsti un trāpīt acīs, radot izraisīt akulumu vai citas smagas traumas.
- Reduktors var sakarst darba laikā un neatdzist vēl arī kādu laiku pēc ierīces izslēgšanas. Tam pieskaroties, var apdedzināties.
- Ieslēdzot izstrādājumu, turiet to stingri.
- Lai gan suku veltniem nav tāda spēka kā plāvēja asmeņiem, ir jāizvairās no darba ar materiāliem, kas var tikt izvīsti un radīt traumas vai materiālos zaudējumus.
- Nelietojiet izstrādājumu, ja nav iespējams izsaukt palīdzību nelaiemes gadījumā.
- Izmantojiet izstrādājumu tikai paredzētajiem mērķiem.
- Nekādā gadījumā nelietojiet izstrādājumu, ja esat noguris, lietojis alkoholiskus dzērienus vai medikamentus, kas var ietekmēt redzi, reakciju, vai koordināciju.
- Nekādā gadījumā nelietojiet izstrādājumu ekstremālos laika apstākļos, piemēram, lielā salā vai ļoti karstā un/vai mitrā klimatā.
- Nekad nelietojiet bojātu izstrādājumu. Ievērojiet šajā rokasgrāmatā aprakstītās drošības pārbaudes, tehniskās apkopes un remonta norādījumus. Dažus apkopes un remonta darbus drīkst veikt tikai apmācīti un kvalificēti speciālisti. Skatiet instrukcijas nodaļā Apkope.
- Nekad neļaujiet bērniem izmantot izstrādājumu.
- Nekad neļaujiet citām personām izmantot izstrādājumu, ja šīs personas nav izlasījušas un izpratušas lietotāja rokasgrāmatā sniegto informāciju.

- Raugieties, lai tuvumā neatrastos nepiederošas personas. Kamēr lietojat izstrādājumu, bērniem, dzīvniekiem, blakusstāvētājiem un palīgiem jāatrodas drošā attālumā — ne tuvāk par 15 m. Ja kāds tuvojas, nekavējoties apturiet izstrādājumu.
- Ja nonākat situācijā, kurā jums nav skaidrs, kā rīkoties, lūdziet speciālista padomu. Sazinieties ar izplatītāju vai apkopes darbnīcu.
- Izvairieties no tādiem lietošanas paņēmieniem, kurus nepārvaldāt.
- Pievērsiet uzmanību apkārtējai videi un pārliecinieties, vai cilvēki vai dzīvnieki nevar nokļūt izstrādājuma tuvumā vai ietekmēt jūsu kontroli pār izstrādājumu.
- Lietojot dzirdes aizsarglīdzekļus, vienmēr uzmanīgi klausieties, lai sadzirdētu brīdinājumu signālus vai saucienus. Kad dzinējs/motors apstājas, vienmēr noņemiet dzirdes aizsarglīdzekļus.
- Nelietojiet izstrādājumu nelabvēlīgos laika apstākļos: biežā miglā, stiprā lietū, stiprā vējā, lielā aukstumā utt. Darbs sliktos laika apstākļos ir nogurdinošs un bieži vien ir saistīts ar palielinātu risku, piemēram, slidenas virsmas dēļ.
- Pārliecinieties, vai varat droši staigāt un stāvēt.



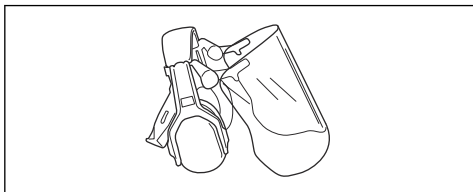
- Pārvietojot izstrādājumu, tam jābūt ieslēgtam.
- Nelieciet zemē izstrādājumu ar ieslēgtu dzinēju/motoru, ja nevarat to uzraudzīt.
- Izstrādājumu vienmēr turiet ar abām rokām. Turiet izstrādājumu sev pie sāniem.
- Nodrošiniet, lai dzinēja/motora darbības laikā rokas un kāju pēdas nenonāktu saskarē ar suku.
- Kad dzinējs/motors tiek izslēgts, netuviniet rokas un pēdas sukai, līdz tā pilnībā apstājas.
- Ja sajūtat spēcīgu vibrāciju, izslēdziet izstrādājumu. Ja izmantojat ar benzīnu darbināmu izstrādājumu, atvienojiet HT vadu no aizdedzes sveces. Ja izmantojat ar akumulatoru darbināmu izstrādājumu, noņemiet akumulatoru. Pārliecinieties, vai izstrādājums nav bojāts. Salabojiet iespējamus bojājumus.

## Individuālie aizsarglīdzekļi

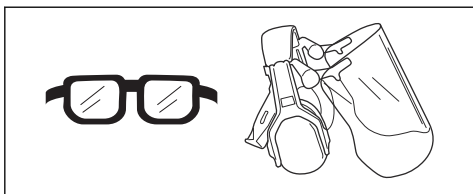


**BRĪDINĀJUMS:** Pirms sākat lietot izstrādājumu, izlasiet tālāk izklāstītās brīdinājuma instrukcijas.

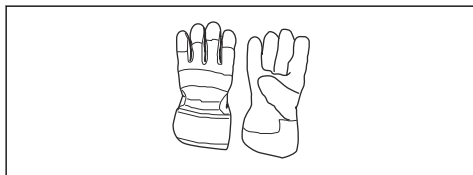
- Izmantojot izstrādājumu, vienmēr lietojiet apstiprinātus individuālos aizsarglīdzekļus. Šādi līdzekļi nevar pilnībā novērst traumu gūšanas risku, taču samazina traumu smaguma pakāpi, ja negadījums tomēr notiek. Ļaujiet izplatītajam palīdzēt jums izvēlēties pareizo aprīkojumu.
- Lietojiet tādus dzirdes aizsarglīdzekļus, kas nodrošina pietiekamu trokšņa slāpēšanu. Ilgstoša uzturēšanās troksnī var radīt būtiskus dzirdes bojājumus.



- Izmantojiet apstiprinātus acu aizsarglīdzekļus. Apstiprinātas aizsargbrilles ir jālieto arī tad, ja tiek izmantots sejsēgs. Apstiprinātas aizsargbrilles ir tādas, kas atbilst ASV standarta ANSI Z87.1 ASV vai standarta EN 166 prasībām ES valstīs.



- Vajadzības gadījumā izmantojiet cimdus, piemēram, piestiprinot, pārbaudot vai frot griešanas ierīci.



- Lietojiet aizsargapavus ar tērauda purngaliem un neslīdošām zolēm.



- Lietojiet izturīga auduma apģērbu. Vienmēr valkājiet biezas, garas bikses un apģērbu ar garām piedurknēm. Nevalkājiet vaļīgu apģērbu, kas viegli var iekerties krūmos un zaros. Nenēsājiet rotaslietas,

nevelciet šortus, sandales un nestrādājiēt basām kājām. Sakārtojiet matus droši virs pleciem.

- Gādājiet, lai tuvumā būtu pirmās palīdzības piederumi.



## Izstrādājuma drošības ierīces



**BRĪDINĀJUMS:** Pirms sākat lietot šo ierīci, izlasiet zemāk izklāstītos brīdinājumus.

Šajā sadaļā ir izskaidrota ierīces drošības funkciju nozīme, to mērķis un veidi, kā tiek veikta pārbaude un apkope, lai garantētu ierīces pareizu darbību. Lai noskaidrotu, kurā ierīces vietā atrodas šīs daļas, skatiet norādījumus sadaļā *Pārskats par ierīci lpp. 117*.

Ja ierīces apkope netiek veikta pareizi un ja apkopi un/vai remontu neveic profesionāļi, ierīces darbmūžs var būt īsāks un var palielināties nelaimes gadījumu risks. Ja nepieciešama papildu informācija, sazinieties ar tuvāko izplatītāju, kas nodrošina apkopi.



**BRĪDINĀJUMS:** Nekādā gadījumā nelietojiet ierīci ar bojātu drošības aprīkojumu. Ierīces drošības aprīkojums ir jāpārbauda un jāuztur, pamatojoties uz šajā nodaļā izklāstīto informāciju. Ja ierīce neatbilst iepriekš aprakstīto pārbaudu prasībām, sazinieties ar vietējo remontdarbnieku, lai ierīci saremontētu.



**BRĪDINĀJUMS:** Izstrādājuma apkopi un remontu drīkst veikt tikai īpaši apmācīti tehniķi. Tas jo īpaši attiecas uz izstrādājuma drošības aprīkojumu. Ja jūsu izstrādājums neatbilst zemāk aprakstīto pārbaudu prasībām, sazinieties ar apkopes pakalpojumu nodrošinātāju. Jebkura mūsu izstrādājuma iegāde garantē profesionāla remonta un apkopes pieejamību. Ja mazumtirgotājs, pie kura iegādājāties izstrādājumu, nav apkopi veicošs izplatītājs, uzziniet no viņa tuvākā apkopes veicēja adresi.

## Norādījumi par drošu tehnisko apkopi



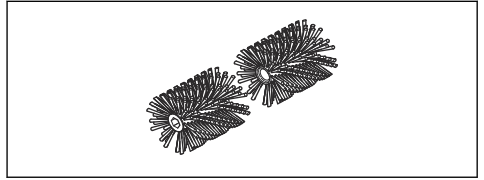
**BRĪDINĀJUMS:** Vienmēr apturiet izstrādājumu, pirms sākat apkopt palīgierīci. Esiet piesardzīgi! Palīgierīce var turpināt kustēties arī pēc piedziņas mēlītes atlaišanas. Pārļieciniet, ka palīgierīce



ir pilnībā apstājusies. Ja izmantojat ar benzīnu darbināmu izstrādājumu, atvienojiet HT vadus no aizdedzes sveces. Ja izmantojat ar akumulatoru darbināmu izstrādājumu, noņemiet akumulatoru.

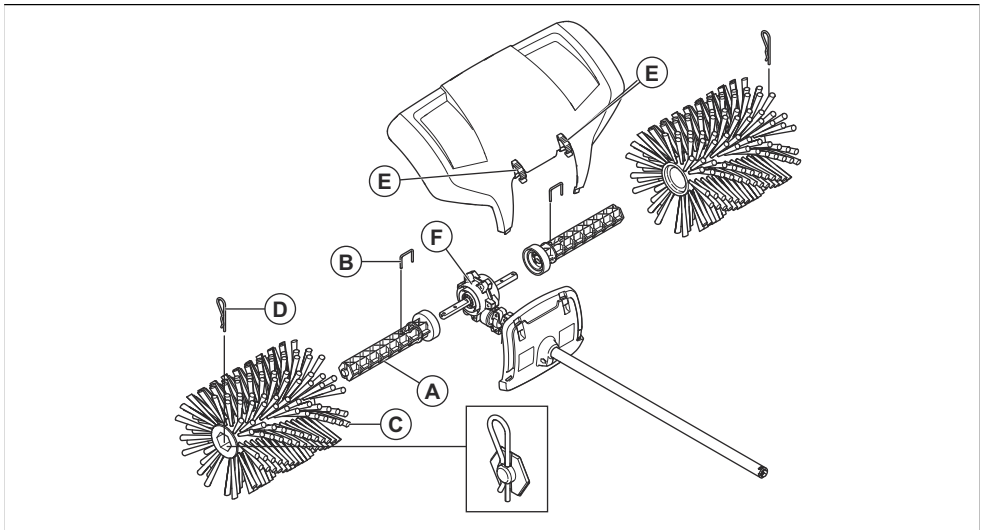
- Pirms uzsākat darbu, pārbaudiet visu izstrādājumu. Nomainiet bojātās daļas.
- Pārbaudiet, vai visi aizsargi un pārsegi ir pilnā kārtībā un pareizi piestiprināti. Pārbaudiet visus uzgriežņus un skrūves.
- Ja izmantojat ar benzīnu darbināmu izstrādājumu, pārliecinieties, vai tajā nav benzīna noplūdes.

- Pārbaudiet, vai suku veltnī nav bojāti un uz tiem nav redzamas plaisas vai citu bojājumu.



## Montāža

### Palīgierīces montāža



1. Vienu no veltna asīm (A) uzspiediet uz vienas no divām no pārnesumkārbas korpusa izejošajām piedziņas vārpstām (F). Ja nepieciešams, pagrieziet veltna asi tā, lai tapas atvere tiktu pielāgota atbilstošajai piedziņas vārpstas atverei.
2. Izmantojot fiksācijas tapu (B), nostipriniet rullī vārpstu.
3. Vienu no suku rullījiem (C) uzlieciet uz uzstādītās vārpstas. Spiediet rulli, līdz tas apstājas.
4. Izmantojot šķelttapu (D), nostipriniet rulli uz vārpstas. Uzstādīšanas laikā viegli uzspiediet uz gala.
5. Lai uzstādītu otras puses asi un rulli, atkārtojiet iepriekš aprakstītās darbības.
6. Uzstādiet dubļusargu ar fiksējošiem stiprinājumiem (E).

**Piezīme:** Lai uzzinātu, kā uzstādīt piederumus pamata izstrādājumam, skatiet pamata izstrādājuma lietošanas rokasgrāmatu.

# Lietošana

## Palīģierīces lietošana

1. Darbiniet izstrādājumu ar maksimālajiem apģriezieniem (vai tuvu tiem), sukai balstoties uz virsmas.

**Piezīme:** Darba laikā ir nogurdinoši un lieki celt suku no tīrāmās virsmas vai turēt to virs tās.

2. Tīrot šauras vietas, piemēram, celiņus, izstrādājumu var lietot tā, lai materiāli tiktu izsviesti tieši priekšā jums. Ja vēlaties strādāt uz platākām virsmām, strādājiet noteiktā leņķī, lai materiāli uzkrātos kaudzītēs gar vienu malu. Kaudzītēs savāktos vieglos materiālus var savākt vienā rindā vai lielā kaudzē, lai tos varētu vēlāk aizvākt visus kopā, bet smagākus vai lielākus materiālus ir jāsavāc vairākās kaudzītēs.



3. Lai piekļūtu stūriem, noņemiet šļakatu aizsargu, atbrīvojiet piederuma savienojumu un pagrieziet to par pusi apģriezena.



**BRĪDINĀJUMS:** Gruži var tikt izmesti lietotāja virzienā. Lietojot izstrādājumu atpakaļgaitā, izmantojiet mazākus apģriezienus un atcerieties, ka ir viegli pakrist.

4. Saglabājiet mazu darba leņķi pret virsmu. Pārāk liels darba leņķis izraisa izstrādājuma pārvietošanos lietotāja virzienā un varat zaudēt vadību.



## Apkope

### Ievads

TĀĪĀK tekstā iepazīsimies ar daĀĀM vispĀrĀrĀjam apkopes instrukcijĀm. Ja jums nepieciešama papildinformācija, lūdzu, sazinieties ar tehniskās apkopes centru.

### Piederuma apkope



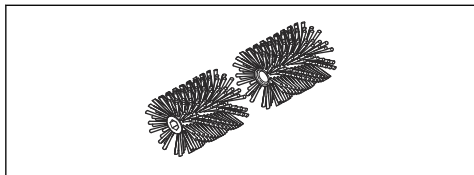
**IEVĒROJIET:** Piederums darbojas netīrā vidē. Ja izmantojat ar benzīnu darbināmu izstrādājumu, ir ļoti svarīgi veikt regulāru gaisa filtra apkopi. Gaisa filtrs jāeļļo ar eļļu, lai tas darbotos pienācīgi. Apkopes norādījumus skatiet piedziņas bloka lietošanas rokasgrāmatā.



**BRĪDINĀJUMS:** Izstrādājuma lietošanas laikā pānesumkārbas korpuss sakarst. Lai neapdedzinātos nepieskarieties pānesumkārbas korpusam.

2. Pārbaudiet, vai suku veltņi nav bojāti un saplaisājuši. Nomainiet suku veltņus, ja nepieciešams.
3. Ja suku ilgstoši neizmantošit, pakariniet to.

1. Pārbaudiet, vai suku veltņi negriežas pēc piedziņas mēlītes atlaišanas.



## Pārvadāšana, glabāšana un utilizēšana

### Transportēšana un uzglabāšana

Ja ierīci transportējat ar transportlīdzekli, noteikti izmantojiet apstiprinātas stiprinājuma ierīces un gādājiet, lai ierīce būtu droši nostiprināta.

Pirms ierīces ilgstošas uzglabāšanas noīriet to un pāriecinieties, vai tai ir veikta pilna apkope.

## Tehniskie dati

### Ar benzīnu darbināmu izstrādājumu tehniskie dati

|  |              |
|--|--------------|
| <b>Saru suka</b>   | <b>BR600</b> |
| Sukas veltņa platums, mm   | 597          |
| Sukas veltņa diametrs, mm  | 270          |
| <b>Svars</b>   |              |
| Svars, kg  | 5,3          |
| <b>Trokšņa emisija</b> <sup>73</sup>   |              |
| Skaņas jaudas līmenis, izmērītais dB (A)   | 106          |
| Skaņas jaudas līmenis, garantētais $L_{WA}$ dB (A)   | 110          |
| <b>Skaņas līmeņi</b> <sup>74</sup>   |              |
| Ekvivalents skaņas spiediena līmenis pie lietotāja auss, mērīts saskaņā ar standartu EN ISO 22868, dB (A): | 94           |
| <b>Vibrācija</b> <sup>75</sup>   |              |

<sup>73</sup> Atbilstoši EK direktīvai 2000/14/EK trokšņa emisija apkārtņē ir mērīta kā trokšņa jauda ( $L_{WA}$ ). Novērotais ierīces skaņas jaudas līmenis ir izmērīts ar pievienotu oriģinālo griešanas ierīci, kas rada augstāko līmeni. Atšķirība starp garantēto un izmērīto skaņas jaudas līmeni ir tāda, ka garantētā skaņas intensitātes līmeņa mērījumu rezultāts ietver arī izkliedi mērījuma rezultātā un atšķirības dažādām tā paša modeļa ierīcēm atbilstoši direktīvai 2000/14/EK.

<sup>74</sup> Sniegtajos datos par ekvivalenta skaņas spiediena līmeni ierīcei ir tipiska statistiskā 1 dB (A) izkliede (standartnovirze).

<sup>75</sup> Sniegtajos datos par ekvivalentu vibrācijas līmeni ir tipiska 1 m/s<sup>2</sup> statistiskā izkliede (standarta novirze).

|  |              |
|--|--------------|
| <b>Saru suka</b>   | <b>BR600</b> |
| Ekvivalenti vibrācijas līmeņi ( $a_{hv,eq}$ ) pie rokturiem, mērīti atbilstoši standartam ISO 22867, $m/s^2$ |              |
| Priekšējie/aizmugurējie rokturi  | 3,7/6,2      |

## Ar akumulatoru darbināmu izstrādājumu tehniskie dati

|  |         |
|--|---------|
| <b>325iLK + saru sukas palīgierīce BR600</b>   |         |
| Sukas veltna platums, mm   | 597     |
| Sukas veltna diametrs, mm  | 270     |
| <b>Svars</b>   |         |
| Svars, kg  | 2,3+5,3 |
| <b>Trokšņa emisija</b> <sup>76</sup>   |         |
| Skaņas jaudas līmenis, izmērītais dB (A)   | 90      |
| <b>Skaņas līmeņi</b> <sup>77</sup>   |         |
| Skaņas spiediena līmenis pie lietotāja auss mērīts saskaņā ar standartu ISO 22868, dB (A): | 80      |
| <b>Vibrācija</b> <sup>78</sup>   |         |
| Vibrācijas līmeņi pie rokturiem mērīti atbilstoši standartam EN 62841-1, $m/s^2$           |         |
| Aprīkots ar apstiprinātu piederumu (oriģināls), pa kreisi/pa labi                          | 3,3/3,1 |

<sup>76</sup> Sniegtajos datos par skaņas jaudas līmeni ierīcei ir tipiska statistiskā 3 dB (A) izkliede (standartnovirze), mērot ar oriģinālo palīgierīci, kas nodrošina augstāko līmeni.

<sup>77</sup> Sniegtajos datos par skaņas spiediena līmeni ierīcei ir tipiska statistiskā 3 dB (A) izkliede (standartnovirze), mērot ar oriģinālo palīgierīci, kas nodrošina augstāko līmeni.

<sup>78</sup> Sniegtajos datos par vibrācijas līmeni ir tipiska 2  $m/s^2$  statistiskā izkliede (standarta novirze). Akumulatora un iekšdedzes dzinēju izstrādājumu vibrācijas līmeņu salīdzinājumam izmantojiet vibrācijas kalkulatoru. <https://www.husqvarna.com/uk/services-solutions/vibration-calculator/>.

# Atbilstības deklarācija

## ES atbilstības deklarācija

Mēs, **Husqvarna AB**, SE-561 82 Huskvarna, Zviedrija,  
tālr. +46-36-146500, ar pilnu atbildību apliecinām, ka šis  
izstrādājums:

|                       |  |
|-----------------------|--|
| <b>Apraksts</b>       | Saru sukas piederums                                       |
| <b>Zīmols</b>         | Husqvarna  |
| <b>Tips/modelis</b>   | BR600  |
| <b>Identifikācija</b> | Ar sērijas numuriem no 2022 un turpmākiem sērijas numuriem |

pilnībā atbilst šādām ES direktīvām un noteikumiem:

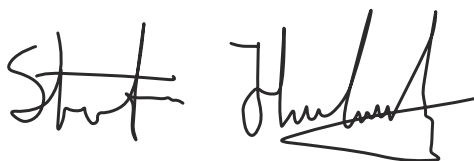
| <b>Direktīva/regula</b> | <b>Apraksts</b>  |
|-------------------------|--|
| 2006/42/EK              | "par mehānismiem"  |
| 2000/14/EK              | "par trokšņa emisiju vidē"   |
| 2011/65/ES              | "par dažu bīstamu vielu izmantošanas ierobežošanu elektriskās un elektroniskās iekārtās" |

un ir ievēroti zemāk norādītie saskaņotie standarti un/vai  
tehniskie dati: EN ISO 12100:2010, EN IEC 63000:2018

RISE SMP Svenska Maskinprovning AB, Box 7035,  
SE-750 07 Uppsala, Sweden ir veicis brīvprātīgu tipa  
pārbaudi Husqvarna AB vārdā.

Sertifikāta numurs: SEC/15/2412

Huskvarna, 2022-03-29



Stefan Holmberg, R&D Director, Technology  
Management, Husqvarna AB

Atbildīgais par tehnisko dokumentāciju



## Inhoud

|                 |     |                                     |     |
|-----------------|-----|-------------------------------------|-----|
| Inleiding.....  | 126 | Onderhoud.....                      | 132 |
| Veiligheid..... | 127 | Vervoer, opslag en verwerking.....  | 133 |
| Montage.....    | 131 | Technische gegevens.....            | 133 |
| Werking.....    | 131 | Verklaring van overeenstemming..... | 135 |

## Inleiding

### Productbeschrijving

Husqvarna AB werkt voortdurend aan het verder ontwikkelen van haar producten en behoudt zich dan ook het recht voor om zonder aankondiging vooraf wijzigingen in o.a. vorm en uiterlijk door te voeren.

**Let op:** Deze handleiding heeft betrekking op zowel benzine- als accu-aangedreven voedingseenheden.

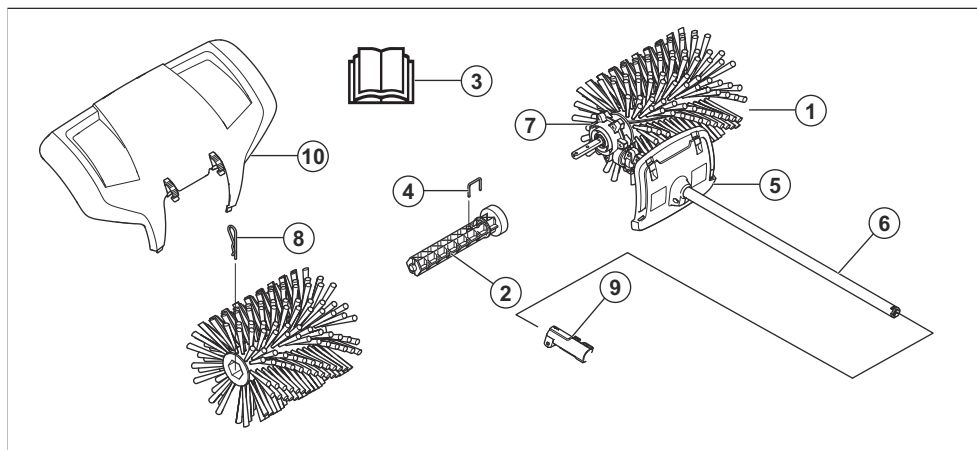
### Gebruik



**WAARSCHUWING:** Dit opzetstuk mag alleen samen met het beoogde product worden gebruikt. Zie het hoofdstuk over accessoires in de bedieningshandleiding van het product.

Het opzetstuk is alleen bedoeld voor het vegen van paden, geasfalteerde wegen en dergelijke.

### Overzicht opzetstukken



1. Borsteltrommel
2. Trommelas
3. Gebruikershandleiding
4. Borgpen
5. Beschermkap (bescherming op steel)
6. Steel
7. Tandwielhuis
8. Splitpen
9. Askoppeling (meegeleverd met het product)
10. Spatbescherming

### Symbolen op het opzetstuk en de voedingseenheid



Onachtzaam of onjuist gebruik van dit opzetstuk kan ernstig of dodelijk letsel aan de gebruiker of anderen toebrengen.



Lees de bedieningshandleiding zorgvuldig door en zorg dat u de instructies hebt begrepen voordat u het opzetstuk gaat gebruiken.





Gebruik goedgekeurde gehoorbescherming. Gebruik goedgekeurde oogbescherming. Gebruik een stofmasker wanneer het risico van het vrijkomen van stof bestaat.



Houd personen en dieren op een minimale afstand van 15 m (50 ft) tijdens het gebruik van dit product.



Dit opzetstuk voldoet aan de geldende EG-richtlijnen.



Houd alle lichaamsdelen uit de buurt van de hete oppervlakken.



Dit product voldoet aan geldende VK-regelgeving.



Geluidsemissies naar het omgevingslabel volgens de richtlijnen en voorschriften van de EU en het VK en de wetgeving van Nieuw-Zuid-Wales "Protection of the Environment Operations (Noise Control) Regulation 2017". Het gegarandeerde geluidsvermogensniveau van het product staat vermeld in *Technische gegevens op pagina 133* en op het label.



Draaiende delen. Houd de handen en voeten uit de buurt. De pijl geeft de rotatierichting aan.



Gebruik altijd goedgekeurde veiligheidshandschoenen.

**Let op:** Overige op het opzetstuk aangegeven symbolen/plaatjes verwijzen naar specifieke eisen aan certificering voor bepaalde markten.



Gebruik stevige antisliplaarzen.



Waarschuwing voor weggeslingerde en afgeketste voorwerpen.



De gebruiker moet erop toezien dat er geen personen of dieren dichterbij dan 15 m bij de machine komen. Indien meerdere gebruikers in hetzelfde gebied werken, moet de veiligheidsafstand minimaal 15 m bedragen. Het opzetstuk kan voorwerpen met geweld wegslingeren, die terug kunnen kaatsen. Dit kan leiden tot ernstig oogletsel, als de aanbevolen veiligheidsuitrusting niet wordt gebruikt.

## Veiligheid

### Veiligheidsdefinities

Waarschuwingen, voorzorgsmaatregelen en opmerkingen worden gebruikt om te wijzen op belangrijke delen van de gebruikershandleiding.



**WAARSCHUWING:** Wordt gebruikt om te wijzen op de kans op ernstig of fataal letsel voor de gebruiker of omstanders wanneer de instructies in de handleiding niet worden gevolgd.



**OPGELET:** Wordt gebruikt indien er een risico bestaat op schade aan het product en/of het hulpstuk, andere materialen of aan de omgeving wanneer de instructies in de handleiding niet worden gevolgd.

**Let op:** Geven verdere informatie die nodig is in een bepaalde situatie.

## Algemene veiligheidsinstructies

---



**WAARSCHUWING:** Lees de volgende veiligheidsinstructies voordat u het opzetstuk gebruikt.

---

- Lees de gebruikershandleiding zorgvuldig door en zorg dat u de instructies hebt begrepen voordat u het opzetstuk gebruikt.
- Deze instructies vormen een aanvulling op de instructies die bij het product zijn geleverd. Raadpleeg de bedieningsinstructies van het product voor andere procedures.
- De oorspronkelijke vormgeving van het opzetstuk mag in geen enkel geval gewijzigd worden zonder toestemming van de fabrikant. Gebruik nooit een opzetstuk dat gewijzigd lijkt te zijn door anderen, en gebruik altijd originele accessoires. Niet goedgekeurde wijzigingen en/of niet-originele onderdelen kunnen tot ernstig persoonlijk letsel of de dood van zowel gebruiker als omstanders leiden.

## Lees alle instructies

---



**WAARSCHUWING:** Bij het gebruik van elektrisch tuingereedschap dienen de basisveiligheidsinstructies altijd te worden opgevolgd om het risico op brand, elektrische schokken en persoonlijk letsel te beperken:

---

## Veiligheidsinstructies voor bediening

---



**WAARSCHUWING:** Lees de volgende waarschuwingen voordat u het product gaat gebruiken.

---

- Voorkom onbedoeld starten bij het monteren, controleren en/of uitvoeren van onderhoud. Als u een product hebt dat op benzine werkt, koppelt u de bougiekap los van de bougie. Als u een product hebt dat op een accu werkt, verwijdert u de accu.
- Soms kunnen gras en stenen in de tanden vast komen te zitten. Schakel altijd de motor uit als u de machine gaat reinigen.
- Kijk uit voor wegschietende objecten. Draag altijd oogbescherming. Buig u nooit voorover over de borstelrommel. Stenen, afval, enzovoort kunnen omhoog schieten in uw ogen en blindheid of ernstig letsel veroorzaken.
- Het tandwiel kan tijdens gebruik heet worden en enige tijd heet blijven. Bij contact bestaat risico van brandwonden.
- Houd het product stevig vast bij het starten.
- De borstelrommels hebben niet dezelfde kracht als bijvoorbeeld de bladen van een gazonmaaier, maar u kunt beter voorkomen dat materiaal bij

het uitwerpen persoonlijk letsel of schade aan eigendommen veroorzaakt.

- Gebruik het product nooit zonder de mogelijkheid hulp in te roepen in geval van nood.
- Gebruik het product alleen voor het beoogde doel.
- Gebruik het product nooit als u moe bent, alcohol heeft gedronken of medicijnen hebt ingenomen die uw gezichtsvermogen, beoordelingsvermogen of coördinatievermogen negatief beïnvloeden.
- Gebruik het product nooit bij extreme klimaatomstandigheden zoals strenge kou of een zeer warm en/of vochtig klimaat.
- Gebruik nooit een machine die defect is. Voer de in deze handleiding beschreven veiligheidscontroles en de onderhouds- en service-instructies uit. Bepaalde onderhouds- en servicemaatregelen moeten door opgeleide en gekwalificeerde specialisten worden uitgevoerd. Zie de instructies in het hoofdstuk Onderhoud.
- Laat nooit kinderen het product gebruiken.
- Laat nooit iemand anders het product gebruiken zonder dat u zeker weet dat hij of zij de gebruikershandleiding heeft gelezen en begrepen.
- Houd onbevoegden op afstand. Kinderen, dieren, toeschouwers en helpers moeten zich buiten de veiligheidszone van 15 m bevinden terwijl u werkt. Schakel het product onmiddellijk uit indien iemand dichterbij komt.
- Wanneer u in een situatie belandt waarin u niet goed weet hoe u verder te werk moet gaan, moet u een expert raadplegen. Wend u tot uw dealer of uw servicewerkplaats.
- Gebruik de machine nooit voor taken waarvoor u niet voldoende gekwalificeerd bent.
- Controleer de omgeving en vergewis u ervan dat er geen risico bestaat dat mensen of dieren in contact komen met het product of uw controle over het product belemmeren.
- Let als u gehoorbescherming draagt op waarschuwingssignalen of geschreeuw. Doe uw gehoorbescherming altijd af zodra de motor is gestopt.
- Gebruik het product niet in ongunstige weersomstandigheden, bijv. bij dichte mist, hevige regen, harde wind, hevige koude enz. Werken in slechte weersomstandigheden is vermoeiend en kan tot extra gevaarlijke situaties leiden, zoals een gladde grond.



- Zorg ervoor dat u veilig kunt gaan en staan.



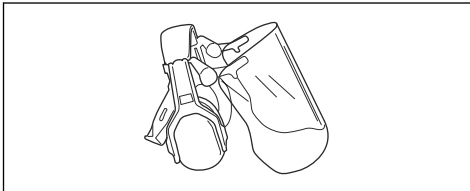
- Schakel het product uit voordat u het verplaatst.
- Leg het product niet neer terwijl de motor draait, tenzij u er goed zicht op hebt.
- Gebruik altijd beide handen om het product vast te houden. Houd het product naast uw lichaam.
- Zorg dat uw handen en voeten niet vlak bij de borstel komen wanneer de motor draait.
- Wanneer de motor is uitgeschakeld, moet u uw handen en voeten niet vlak bij de borstel plaatsen voordat de motor helemaal is gestopt.
- Stop het product als er zware trillingen optreden. Als u een product hebt dat op benzine werkt, koppelt u de HS-kabel los van de bougie. Als u een product hebt dat op een accu werkt, verwijdert u de accu. Controleer of het product niet beschadigd is. Repareer eventuele beschadigingen.

## Persoonlijke beschermingsuitrusting



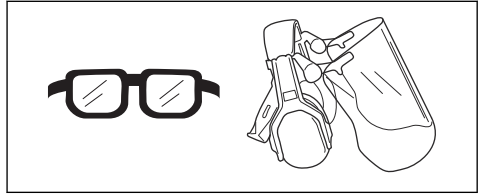
**WAARSCHUWING:** Lees de volgende waarschuwingen voordat u het product gaat gebruiken.

- Draag tijdens het gebruik van het product altijd goedgekeurde persoonlijke beschermingsuitrusting. Persoonlijke beschermingsuitrusting kunnen niet alle risico's uitsluiten maar kunnen de ernst van eventueel letsel helpen beperken. Vraag uw dealer u te helpen bij het kiezen van de juiste beschermingsmiddelen.
- Gebruik goedgekeurde gehoorbescherming met voldoende dempvermogen. Langdurige blootstelling aan lawaai kan leiden tot permanente gehoorbeschadiging.

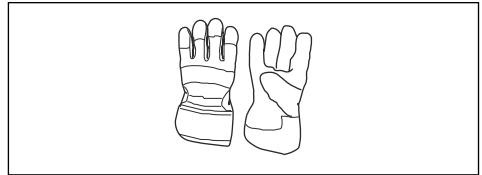


- Gebruik goedgekeurde oogbescherming. Als u een vizier gebruikt, moet u ook een goedgekeurde veiligheidsbril gebruiken. Een goedgekeurde

veiligheidsbril moet voldoen aan de norm ANSI Z87.1 voor de VS of EN 166 voor de EU-landen.



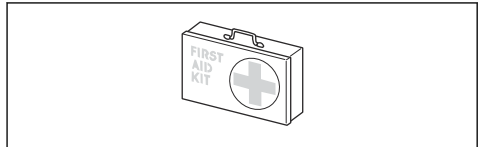
- Draag zo nodig handschoenen, bijvoorbeeld bij het monteren, inspecteren of reinigen van de snijuitrusting.



- Gebruik beschermende laarzen met stalen neuzen en antislipzolen.



- Gebruik kleding van stevige stof. Gebruik altijd een zware lange broek en lange mouwen. Gebruik geen loszittende kleding die gemakkelijk kan blijven haken aan takjes en struikgewas. Draag geen sieraden, korte broek of sandalen of loop niet op blote voeten. Bind voor de veiligheid lang haar samen tot boven schouderhoogte.
- Houd een EHBO-does binnen handbereik.



## Veiligheidsvoorzieningen op het opzetstuk



**WAARSCHUWING:** Lees de volgende waarschuwingen voordat u het opzetstuk gebruikt.

In dit hoofdstuk worden de veiligheidsfuncties van het opzetstuk beschreven, welke functie ze hebben en hoe controles en onderhoud moeten worden uitgevoerd om hun goede werking te waarborgen. Zie de instructies

onder het kopje *Overzicht opzetstukken op pagina 126* om te zien waar deze onderdelen zich bevinden op uw opzetstuk.

De levensduur van het opzetstuk kan worden verkort en het risico op ongevallen kan toenemen wanneer het onderhoud van het opzetstuk niet op de juiste manier plaatsvindt, en wanneer service en/of reparaties niet vakkundig worden uitgevoerd. Indien u meer informatie nodig hebt, verzoeken wij u contact op te nemen met de dichtstbijzijnde onderhoudsdealer.



**WAARSCHUWING:** Gebruik een opzetstuk nooit wanneer de veiligheidsvoorzieningen defect zijn. De veiligheidsuitrusting van het opzetstuk moet geïnspecteerd en onderhouden worden zoals beschreven in dit hoofdstuk. Als uw opzetstuk een van deze controles niet doorstaat, moet u contact opnemen met uw servicewerkplaats om uw unit te laten repareren.



**WAARSCHUWING:** Om service en reparaties aan het product uit te voeren, moet u een speciale opleiding hebben. Dit geldt met name voor de veiligheidsuitrusting van het product. Als uw product een van de volgende controles niet goed doorstaat, moet u ermee naar uw servicewerkplaats gaan. Als u één van onze producten koopt, garandeert dit dat de reparaties en service door een vakman kunnen worden uitgevoerd. Als u uw product hebt gekocht bij één van onze dealers die geen

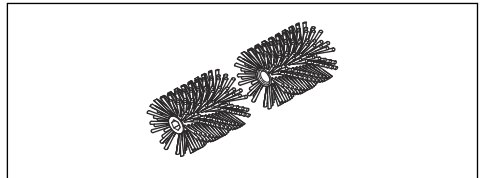
servicewerkplaats heeft, vraag dan waar de dichtstbijzijnde erkende werkplaats is.

## Veiligheidsinstructies voor onderhoud



**WAARSCHUWING:** Schakel altijd het product uit voordat u onderhoud aan het opzetstuk uitvoert. Wees voorzichtig, het opzetstuk kan blijven draaien, zelfs nadat de gashendel/voedingsschakelaar is losgelaten. Zorg ervoor dat het opzetstuk volledig is gestopt. Als u een product hebt dat op benzine werkt, koppelt u de HS-kabels los van de bougie. Als u een product hebt dat op een accu werkt, verwijdert u de accu.

- Controleer het gehele product voordat u begint. Vervang beschadigde onderdelen.
- Controleer of alle beschermkappen en afdekkingen compleet zijn en goed zijn bevestigd. Controleer alle moeren en schroeven.
- Als u een product hebt dat op benzine werkt, controleer dan of er geen brandstoflekkage is.
- Controleer of de borsteltrommels niet zijn beschadigd en geen tekenen van scheuren of andere beschadigingen vertonen.

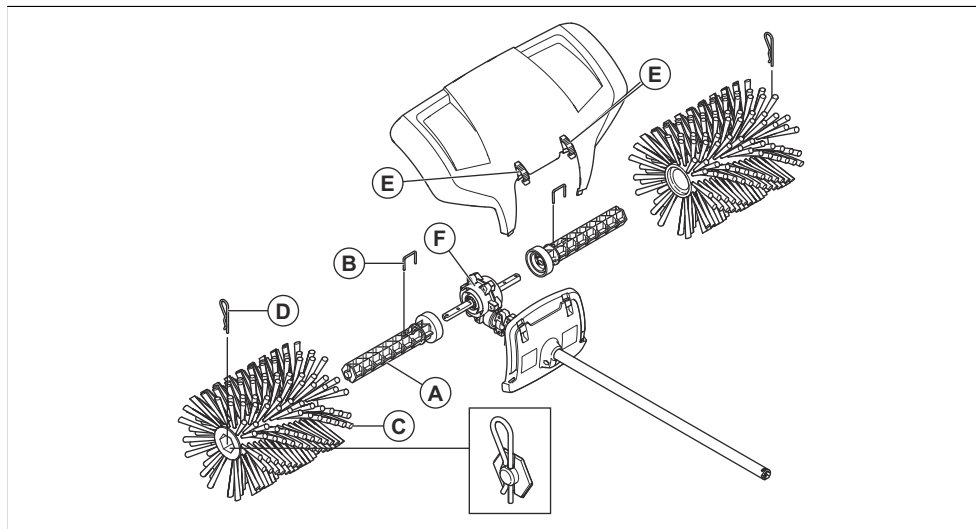


---

## Montage

---

### Het opzetstuk monteren



1. Druk een van de twee trommelassen (A) op een van de twee uitgaande aandrijfassen van het tandwielhuis (F). Draai de trommelas indien nodig zodat het pengat over het overeenkomstige gat in de aandrijfjas valt.
2. Zet de as van de rol vast met de borgpen (B).
3. Plaats een van de borstelrollen (C) op de gemonteerde as. Druk de rol er tot de aanslag in.
4. Bevestig de rol op de as met een splitpen (D). Druk het uiteinde er bij de montage een stukje in.

5. Herhaal deze stappen om de as en de roller aan de andere zijde te monteren.
6. Monteer de spatbeschermkap met de snelkoppelingen (E).

---

**Let op:** Voor montage van accessoires op een basisproduct, raadpleegt u de handleiding voor het product.

---

---

## Werking

---

### Het opzetstuk gebruiken

1. Bedien het product met vol (of bijna vol) gas terwijl de borstel op het oppervlak rust.

---

**Let op:** Het is vermoeiend en niet nodig om de borstel boven het oppervlak te tillen of te houden tijdens het werken.

---

2. Bij het schoonmaken van nauwe doorgangen zoals paden, kunt u het product gebruiken om het materiaal recht voor u uit te werpen. Als u op bredere oppervlakken werkt, moet u onder een zodanige hoek te werk gaan dat er aan één kant hopen ontstaan. Licht materiaal kan in één rij of hoop worden verzameld en later worden verwijderd terwijl bij harde of meer omvangrijke materialen mogelijk meerdere rijen nodig zijn.



3. Om goed in hoeken te kunnen komen, verwijdert u de spatbeschermkap, draait u de koppeling van het accessoire los en draait u het accessoire een halve slag.



**WAARSCHUWING:** Vuil wordt dan teruggeworpen in de richting van de gebruiker. Gebruik een lagere snelheid bij het keren van het product en pas op dat u niet struikelt.

4. Houd een kleine werkhoeck aan ten opzichte van het oppervlak. Bij een te grote werkhoeck kan de machine naar u toe bewegen en riskeert u de controle over het product kwijt te raken.



## Onderhoud

### Inleiding

Hieronder worden algemene onderhoudsvorschriften opgesomd. Neem contact op met uw dealer indien u meer informatie behoeft.

### Onderhoud uitvoeren aan het accessoire

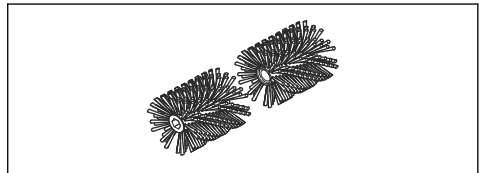


**OPGELET:** Het accessoire werkt in vuile omstandigheden. Als u een product hebt dat op benzine werkt, is het zeer belangrijk om regelmatig onderhoud uit te voeren aan het luchtfilter. Het luchtfilter moet worden gesmeerd met olie om goed te werken. Zie de bedieningshandleiding van de voedingseenheid voor onderhoudsinstructies.



**WAARSCHUWING:** Het tandwielhuis is warm wanneer het product is gebruikt. Raak de overbrenging niet aan om brandwonden te voorkomen.

1. Controleer of de borsteltrommels niet draaien als de gashendel/voedingsschakelaar wordt losgelaten.



2. Controleer de borsteltrommels op beschadigingen en barsten. Vervang de borsteltrommels indien nodig.
3. Hang de borstel op tijdens langdurige opslag.

---

## Vervoer, opslag en verwerking

---

### Transport en opbergen

Als u het opzetstuk op een ander voertuig vervoert, moet u altijd goedgekeurde bevestigingen gebruiken en ervoor zorgen dat het hulpstuk stevig vastzit.

Zorg ervoor dat het opzetstuk goed is schoongemaakt en dat een volledige servicebeurt is uitgevoerd voor een langdurige opslag.

---

## Technische gegevens

---

### Technische gegevens voor producten die op benzine werken

|   |              |
|---|--------------|
| <b>Borstel</b>  | <b>BR600</b> |
| Breedte borstelrommel, mm   | 597          |
| Diameter borstelrommel, mm  | 270          |
| <b>Gewicht</b>  |              |
| Gewicht, kg   | 5,3          |
| <b>Geluidsemissies</b> <sup>79</sup>  |              |
| Geluidsvermogeniveau, gemeten dB(A)   | 106          |
| Geluidsvermogeniveau, gegarandeerd L <sub>WA</sub> dB (A)   | 110          |
| <b>Geluidsniveau</b> <sup>80</sup>  |              |
| Equivalent geluidsdrumniveau bij het oor van de gebruiker, gemeten volgens EN ISO 22868, dB (A):                | 94           |
| <b>Trillingen</b> <sup>81</sup>   |              |
| Equivalent trillingsniveaus (a <sub>hv,eq</sub> ) in de handgrepen, gemeten volgens ISO 22867, m/s <sup>2</sup> |              |
| Voorste/achterste handgrepen  | 3,7/6,2      |

### Technische gegevens voor producten die op een accu werken

|   |     |
|---|-----|
| <b>325ILK + opzetstuk borstel BR600</b> |     |
| Breedte borstelrommel, mm               | 597 |
| Diameter borstelrommel, mm              | 270 |

---

<sup>79</sup> Geluidsemissie naar de omgeving gemeten als geluidsvermogen (L<sub>WA</sub>) volgens EG-richtlijn 2000/14/EG. Het gerapporteerde geluidsvermogeniveau voor de machine is gemeten met de originele snijuitrusting die het hoogste niveau geeft. Het verschil tussen gegarandeerd en gemeten geluidsvermogen is dat het gegarandeerde geluidsvermogen ook spreiding in het meetresultaat omvat en de verschillen tussen de verschillende machines van hetzelfde model conform Richtlijn 2000/14/EG.

<sup>80</sup> De gerapporteerde gegevens voor een vergelijkbaar geluidsdrumniveau voor de machine vertonen een typische statistische spreiding (standaardafwijking) van 1 dB(A).

<sup>81</sup> De gerapporteerde gegevens voor een vergelijkbaar trillingsniveau vertonen een typische statistische spreiding (standaardafwijking) van 1 m/s<sup>2</sup>.

|  |         |
|--|---------|
| <b>325iLK + opzetstuk borstel BR600</b>  |         |
| <b>Gewicht</b>   |         |
| Gewicht, kg  | 2,3+5,3 |
| <b>Geluidsemissies</b> <sup>82</sup>   |         |
| Geluidsvermogensniveau, gemeten dB(A)  | 90      |
| <b>Geluidsniveau</b> <sup>83</sup>   |         |
| Geluidsdrukniveau bij het oor van de gebruiker, gemeten volgens ISO 22868, dB (A): | 80      |
| <b>Trillingen</b> <sup>84</sup>  |         |
| Trillingsniveaus in de handgrepen, gemeten volgens EN 62841-1, m/s <sup>2</sup>    |         |
| Uitgerust met goedgekeurde accessoire (origineel), links/rechts                    | 3,3/3,1 |

<sup>82</sup> De gerapporteerde gegevens voor het geluidsvermogensniveau voor de machine vertonen een typische statistische spreiding (standaardafwijking) van 3 dB (A) en zijn gemeten met het originele opzetstuk dat het hoogste niveau geeft.

<sup>83</sup> De gerapporteerde gegevens voor het geluidsdrukniveau van de machine vertonen een typische statistische spreiding (standaardafwijking) van 3 dB (A) en zijn gemeten met het originele opzetstuk dat het hoogste niveau geeft.

<sup>84</sup> De gerapporteerde gegevens voor een trillingsniveau vertonen een typische statistische spreiding (standaardafwijking) van 2 m/s<sup>2</sup>. Gebruik voor vergelijking van trillingsniveaus, accu's en verbrandingsproducten de trillingscalculator. <https://www.husqvarna.com/uk/services-solutions/vibration-calculator/>.

---

# Verklaring van overeenstemming

---

## EU-verklaring van overeenstemming

Wij, **Husqvarna AB**, SE-561 82 Huskvarna,  
Zweden, tel: +46-36-146500, verklaren onder onze  
alleenverantwoordelijkheid dat het product:

|                      |                                   |
|----------------------|-----------------------------------|
| <b>Beschrijving</b>  | Opzetstuk borstel                 |
| <b>Merk</b>          | Husqvarna                         |
| <b>Type / model</b>  | BR600                             |
| <b>Identificatie</b> | Serienummers vanaf 2022 en verder |

voldoen volledig aan de volgende EU-richtlijnen en  
-regelgeving:

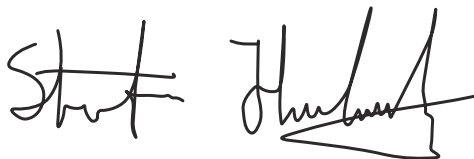
| <b>Richtlijn / Verorde-<br/>ning</b> | <b>Beschrijving</b>   |
|--------------------------------------|---|
| 2006/42/EG                           | "betreffende machines"  |
| 2000/14/EG                           | "betreffende de geluidsemissies in het milieu"  |
| 2011/65/EU                           | "inzake beperking van het gebruik van bepaalde gevaarlijke stoffen in elektrische en elektro-<br>nische apparatuur" |

en dat de volgende normen en/of technische  
specificaties zijn toegepast: EN ISO 12100:2010, EN  
IEC 63000:2018

RISE SMP Svenska Maskinprovning AB, Box 7035,  
SE-750 07 Uppsala, Sweden heeft namens Husqvarna  
AB een niet-verplicht typeonderzoek uitgevoerd.

Certificaatnummer: SEC/15/2412

Huskvarna, 2022-03-29



Stefan Holmberg, Directeur R&D,  
Technologiemanagement, Husqvarna AB

Verantwoordelijk voor technische documentatie



# INNHold

|                 |     |  |     |
|-----------------|-----|--|-----|
| Innledning..... | 136 | Vedlikehold.....                         | 141 |
| Sikkerhet.....  | 137 | Transport, oppbevaring og avhending..... | 142 |
| Montering.....  | 140 | Tekniske data.....                       | 142 |
| Drift.....      | 140 | Samsvarserklæring.....                   | 144 |

## Innledning

### Produktbeskrivelse

Vi arbeider løpende med å videreutvikle produktene våre og forbeholder oss derfor retten til endringer vedrørende bl.a. form og utseende uten varsel.

**Merk:** Denne bruksanvisningen dekker både bensindrevne og batteridrevne strømenheter.

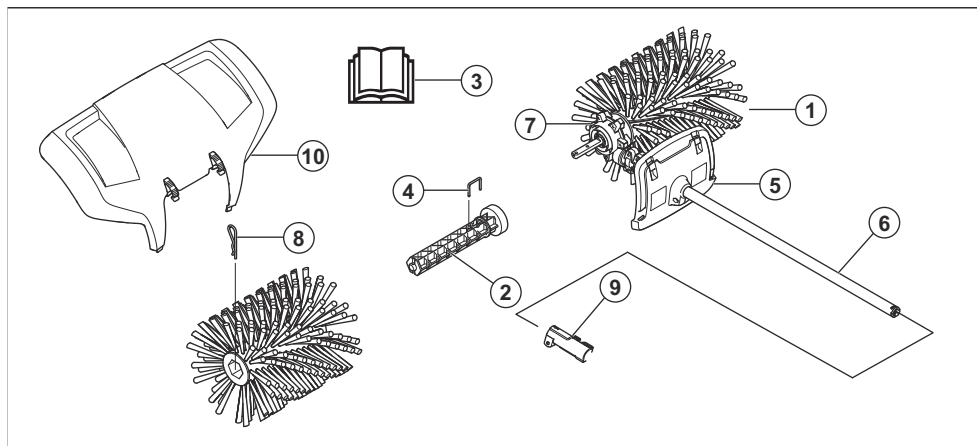
### Bruksområder



**ADVARSEL:** Dette tilbehøret kan bare brukes sammen med det tiltenkte produktet. Se kapittelet om tilbehør i brukerhåndboken for produktet.

Tilbehøret er kun konstruert for å børste gangveier, asfaltveier og liknende.

### Oversikt over tilbehør



1. Børstetrommel
2. Trommelaksel
3. Bruksanvisning
4. Låsepinne
5. Beskyttelse (beskyttelse på riggrør)
6. Riggrør
7. Girhus
8. Låsepinne
9. Riggrørkobling (følger med produktet)
10. Sprutbeskyttelse

### Symboler på utstyret og strømenheten



Uforsiktig eller feilaktig bruk av dette utstyret kan resultere i alvorlige skader eller dødsfall for brukeren eller andre.



Les bruksanvisningen nøye, og forsikre deg om at du forstår instruksjonene før du bruker utstyret.







Bruk godkjent hørselsvern. Bruk godkjent øyevern. Bruk åndedrettsvern når det er risiko for støv.



Dette utstyret er i overensstemmelse med gjeldende EU-direktiver.



Dette produktet samsvarer med gjeldende britiske direktiver.



Roterende deler. Hold hender og føtter unna. Pilen indikerer rotasjonsretningen.



Bruk alltid godkjente vernehansker.



Bruk sklisikre og solide støvler.



Se opp for gjenstander som slynges ut og rikosjetterer.



Brukeren må sørge for at ingen mennesker eller dyr kommer nærmere enn 15 meter. Når flere brukere arbeider på samme sted, skal sikkerhetsavstanden være på minst 15 meter. Produktet kan kaste gjenstander med stor kraft, og disse kan sprette tilbake. Dette kan føre til alvorlige øyeskader hvis ikke anbefalt verneutstyr brukes.



Hold produktet minst 15 meter unna personer og dyr når du bruker det.



Hold alle deler av kroppen borte fra varme overflater.



Støyutslipp til omgivelsene som i EU-direktiver og forskrifter, britiske direktiver og forskrifter og New South Wales-forskriften «Protection of the Environment Operations (Noise Control) Regulation 2017». Garantert lydeffektnivå for produktet er angitt i *Tekniske data på side 142* og på etiketten.

**Merk:** Øvrige symboler/klistremerker på tilbehøret gjelder spesifikke krav for sertifiseringer på visse markeder.

## Sikkerhet

### Sikkerhetsdefinisjoner

Advarsler, oppfordringer og merknader brukes for å understreke spesielt viktige deler av bruksanvisningen.



**ADVARSEL:** Brukes hvis det er fare for personskade eller død for føreren eller andre personer om instruksjonene i håndboken ikke følges.



**OBS:** Brukes hvis det er fare for skade på produktet og/eller tilbehør, annet materiell eller det nærliggende området

hvis instruksjonene i bruksanvisningen ikke følges.

**Merk:** Brukes for å gi mer nødvendig informasjon for en spesifikk situasjon.

### Generelle sikkerhetsinstruksjoner



**ADVARSEL:** Les de følgende sikkerhetsinstruksjonene før du bruker tilbehøret.

- Les nøye gjennom bruksanvisningen, og forstå innholdet før du bruker tilbehøret.
- Disse instruksjonene er et supplement til instruksjonene som ble levert med produktet. Se bruksanvisningen for produktet for informasjon om andre prosedyrer.
- Den opprinnelige konstruksjonen til tilbehøret må ikke under noen omstendigheter endres uten tillatelse fra produsenten. Ikke bruk et tilbehør som ser ut til å ha blitt modifisert av andre, og bruk alltid originalt tilleggsutstyr. Uautoriserte endringer og/eller tilleggsutstyr kan medføre alvorlige skader eller dødsfall for brukeren eller andre.
- Bruk aldri et defekt produkt. Utfør sikkerhetskontrollene og vedlikeholds- og serviceinstruksjonene i denne bruksanvisningen. Noen vedlikeholds- og servicetiltak må utføres av erfarne og kvalifiserte spesialister. Se instruksjonene under overskriften Vedlikehold.
- Tillat aldri barn å bruke produktet.
- La aldri noen andre bruke produktet før du har forsikret deg om at de har lest og forstått innholdet i bruksanvisningen.
- Hold uvedkommende personer på avstand. Barn, dyr, tilskuere og hjelpere bør stå utenfor sikkerhetssonen på 15 meter mens du arbeider. Stopp produktet øyeblikkelig hvis noen kommer nærmere.
- Når du kommer ut for en situasjon som gjør deg usikker på fortsatt bruk, skal du rådføre deg med en ekspert. Henvend deg til din forhandler eller ditt serviceverksted.
- Unngå all bruk som du ikke føler deg kvalifisert til.
- Observer omgivelsene, og forsikre deg om at det ikke er noen fare for at mennesker eller dyr kan komme i kontakt med eller påvirkes av din bruk av produktet.
- Vær alltid oppmerksom på varsel signaler eller tilrop ved bruk av hørselsvern. Ta alltid av hørselvernet så snart motoren er stanset.
- Unngå bruk i dårlig vær, for eksempel tett tåke, kraftig regn, sterk vind, kraftig kulde osv. Arbeid i dårlig vær er slitsomt og kan medføre ekstra risiko, for eksempel glatt og isete underlag.
- Sørg for at du kan gå og stå sikkert.

## Les alle instruksjonene.



**ADVARSEL:** Når du bruker elektriske hagemaskiner, må du alltid følge de grunnleggende sikkerhetsreglene for å redusere faren for brann, elektrisk støt og personskade, blant annet følgende regler:

## Sikkerhetsinstruksjoner for drift



**ADVARSEL:** Les de følgende advarelinstruksjonene før du bruker produktet.

- Pass på å forhindre utilsiktet oppstart ved montering, kontroll og/eller vedlikehold. Hvis du har et bensindrevet produkt, fjerner du tennpluggetten fra tennpluggen. Hvis du har et batteridrevet produkt, tar du ut batteriet.
- Noen ganger kan gress og steiner kan sette seg fast i tindene. Stopp alltid motoren før du fjerner ting som har satt seg fast.
- Se opp for gjenstander som slynges ut. Bruk alltid vernebriller. Ikke bøy deg over børstetrommelen. Steiner, skrot o.l. kan kastes opp i øynene og forårsake blindhet eller alvorlige skader.
- Giret kan være varmt under og en stund etter bruk. Det er risiko for brannskade ved berøring.
- Hold produktet godt fast når du starter det.
- Selv om børstetrommene ikke har den samme kraften som gressklipperblader for eksempel har, bør du unngå å arbeide med materialer som kan forårsake personskader eller skader på eiendeler hvis de slynges ut.
- Bruk aldri produktet uten mulighet til å kunne påkalle hjelp ved en ulykke.
- Produktet skal bare brukes til det formålet det er beregnet på.
- Bruk aldri produktet hvis du er trett, har drukket alkohol eller bruker medisiner som kan påvirke syn, vurderingsevne eller koordinasjon.
- Bruk aldri produktet i ekstreme klimaforhold som sterk kulde eller meget varmt og/eller fuktig klima.



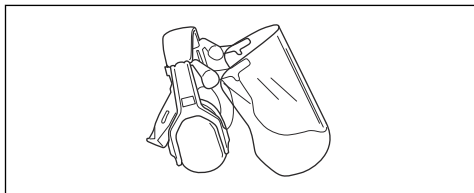
- Du må slå av produktet før du flytter det.
- Sett aldri produktet ned med motoren i gang med mindre du har det under oppsikt.
- Bruk alltid begge hendene til å holde i produktet. Hold produktet ved siden av kroppen.
- Pass på at hender og føtter ikke kommer nær børsten når motoren går.
- Når motoren slås av, må du holde hender og føtter unna børsten til den har stoppet helt.
- Hvis kraftige vibrasjoner oppstår, må du stoppe produktet. Hvis du har et bensindrevet produkt, kobler du tennpluggkabelen fra tennpluggen. Hvis du har et batteridrevet produkt, tar du ut batteriet. Kontroller at produktet ikke er skadet. Reparer eventuelle skader.

## Personlig verneutstyr

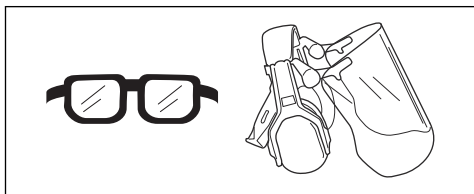


**ADVARSEL:** Les de følgende advarelinstruksjonene før du bruker produktet.

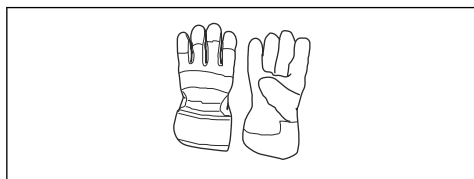
- Benytt alltid godkjent verneutstyr når du bruker produktet. Verneutstyr kan aldri fullstendig forhindre skade, men det reduserer skadeomfanget hvis ulykken inntreffer. Spør forhandleren din om hjelp til å velge riktig utstyr.
- Bruk godkjent hørselsvern med tilstrekkelig lyddempende virkning. Langvarig eksponering for støy kan gi varige hørselsskader.



- Bruk godkjent øyevern. Ved bruk av visir skal det også brukes godkjente vernebriller. Godkjente vernebriller er slike som tilfredsstiller standard ANSI Z87.1 for USA eller EN 166 for EU-land.



- Bruk hansker når det er nødvendig, for eksempel når du fester, undersøker eller rengjør skjæretutstyret.



- Bruk vernestøvler med ståltå og sklisikre såler.



- Bruk klær av et slitesterkt materiale. Bruk alltid tykke langbukser og lange ermer. Unngå bruk av allfor vide klær som lett henger seg fast i kvister og

grener. Ikke bruk smykker, kortbukser eller sandaler, og ikke gå barbert. Sett håret opp over skuldernivå.

- Ha førstehjelpsutstyr for hånden.



## Sikkerhetsutstyr på tilbehøret



**ADVARSEL:** Les de følgende advarelinstruksjonene før du bruker tilbehøret.

I dette avsnittet forklares tilbehørets sikkerhetsfunksjoner, hvilken funksjon de har, og hvordan man utfører kontroll og vedlikehold for å være sikker på at de fungerer. Se bruksanvisningen under overskriften *Oversikt over tilbehør på side 136* for å se hvor disse delene er plassert på ditt tilbehør.

Levetiden til tilbehøret kan forkortes, og risikoen for ulykker kan øke, hvis vedlikeholdet av tilbehøret ikke utføres på riktig måte, og hvis service og/eller reparasjoner ikke utføres fagmessig. Hvis du trenger ytterligere informasjon, kan du kontakte nærmeste servicesenter.



**ADVARSEL:** Bruk aldri et tilbehør med defekt sikkerhetsutstyr. Tilbehørets sikkerhetsutstyr skal kontrolleres og vedlikeholdes som beskrevet i dette avsnittet. Hvis tilbehøret ikke består alle kontrollene, må serviceverksted oppsøkes for reparasjon.



**ADVARSEL:** All service og reparasjon av produktet krever spesialopplæring. Dette gjelder særlig produktets sikkerhetsutstyr. Hvis produktet ikke består alle kontrollene som er oppgitt nedenfor, må du oppsøke et serviceverksted. Kjøp av våre produkter garanterer at du kan få utført en fagmessig reparasjon og service. Hvis produktet ikke kjøpes hos en av våre servicefaghandlere, kan du spørre om hvor nærmeste serviceverksted er.

## Sikkerhetsinstruksjoner for vedlikehold

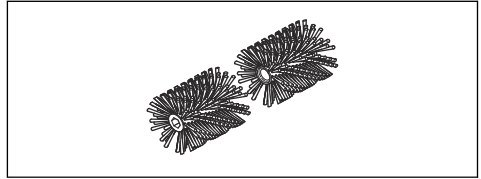


**ADVARSEL:** Stans alltid produktet før du utfører vedlikehold på tilbehøret. Vær forsiktig, tilbehøret kan fortsette å bevege seg også etter at gassen/kraftutløseren er sluppet. Kontroller at tilbehøret har stoppet helt. Hvis du har et bensindrevet produkt, kobler du tennpluggkablene fra tennpluggen.

Hvis du har et batteridrevet produkt, tar du ut batteriet.

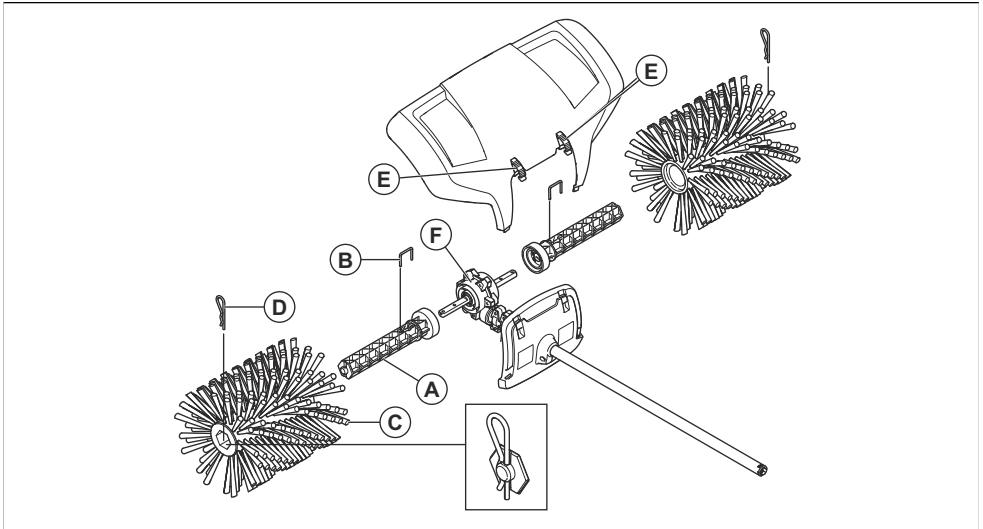
- Kontroller at børstetromlene er uskadd og ikke har noen sprekker eller andre skader.

- Kontroller hele produktet før du starter. Skift skadede deler.
- Kontroller at alle beskyttelser og deksler er hele og ordentlig festet. Kontroller alle mutre og skruer.
- Hvis du har et bensindrevet produkt, må du kontrollere at det ikke finnes drivstofflekkasjer.



## Montering

### Slik monterer du tilbehøret



1. Trykk en av trommelakslene (A) på en av de to utgående drivakslene fra girhuset (F). Roter om nødvendig trommelakslen slik at pinnehullet kommer over det korresponderende hullet i drivakselen.
2. Fest rulleakselen med låsepinnen (B).
3. Trø en av børsterullene (C) på den monterte akselen. Trykk rullen inn til den stopper.
4. Fest rullen på akselen med en splint. Press inn enden litt når du monterer.

5. Gjenta disse trinnene for å montere akselen og rullen på motsatt side.
6. Monter sprutevernet med hurtigfestene (E).

**Merk:** Hvis du skal montere tilbehør på grunnleggende produkt, kan du se håndboken for grunnleggende produkt.

## Drift

### Slik bruker du tilbehøret

1. Kjør produktet med full gass (eller nesten full gass) med børsten hvilende på overflaten.

**Merk:** Det er både slitsomt og unødvendig å løfte eller holde børsten over overflaten mens du arbeider.

2. Når du rydder på smale steder som gangveier, kan produktet brukes slik at det kaster ut materiale rett foran deg. Hvis du vil arbeide på bredere flater, kan det hende at du må arbeide i vinkel slik at materialet legger seg i strimler på den ene siden. Strimler som består av lett materiale, kan samles i én rad eller haug og fjernes senere, men hvis det er snakk om harde eller større materialer, kan det være nødvendig at det samles opp i flere strimler.

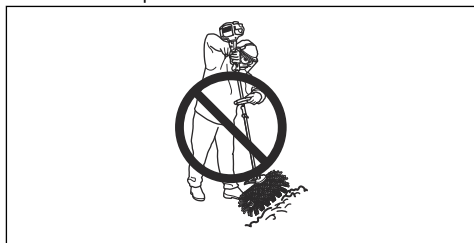


3. For å komme til i hjørnene må du fjerne sprutvernet, løsne tilbehørskoblingen og rotere tilbehøret en halv omdreining.



**ADVARSEL:** Avfall kastes da bakover mot brukeren. Bruk en lavere hastighet når du reverserer produktet, og husk at det er fort gjort å snuble.

4. Hold en liten arbeidsvinkel mot overflaten. Hvis vinkelen er for stor, har oppsamleren en tendens til å bevege seg mot deg, og det er risiko for at du mister kontroll over produktet.



## Vedlikehold

### Innledning

Nedenfor følger noen generelle vedlikeholdsinstruksjoner. Kontakt serviceverkstedet dersom du trenger ytterligere opplysninger.

### Slik utfører du vedlikehold på tilbehøret

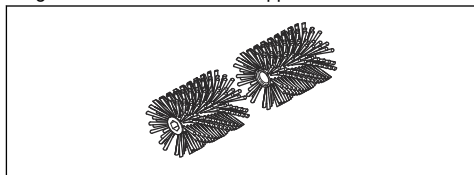


**OBS:** Tilbehøret brukes i skitne omgivelser. Hvis du har et bensindrevet produkt, er det svært viktig å utføre jevnlig vedlikehold av luftfilteret. Luftfilteret må smøres med olje for å fungere på en tilfredsstillende måte. Se vedlikeholdsinstruksjonene i brukerhåndboken for strømforsyningsenheten.



**ADVARSEL:** Girhuset blir varmt når produktet har vært i bruk. For å unngå brannskader må du ikke ta på giret.

1. Kontroller at børstetromlene ikke beveger seg når gassen/kraftutløseren er sluppet.



2. Kontroller at børstetromlene ikke er ødelagte eller sprukne. Skift ut børstetromlene ved behov.
3. Heng opp børsten når den skal oppbevares over lengre perioder.

# Transport, oppbevaring og avhending

## Transport og oppbevaring

Hvis du transporterer tilbehøret på et annet kjøretøy må du alltid bruke godkjente festeenheter og forsikre deg om at tilbehøret er trygt festet.

Påse at tilbehøret er ordentlig rengjort og at fullstendig service er utført før langtids oppbevaring.

## Tekniske data

### Tekniske data for bensindrevne produkter

|  |              |
|--|--------------|
| <b>Børste</b>  | <b>BR600</b> |
| Børstetrommelens bredde, mm  | 597          |
| Børstetrommelens diameter, mm  | 270          |
| <b>Vekt</b>  |              |
| Vekt, kg   | 5,3          |
| <b>Støynivå</b> <sup>85</sup>  |              |
| Lydeffektnivå, målt dB (A)   | 106          |
| Lydeffektnivå, garantert L <sub>WA</sub> dB (A)  | 110          |
| <b>Lydnivåer</b> <sup>86</sup>   |              |
| Ekvivalent lydtrykksnivå ved brukerens øre, målt i henhold til EN ISO 22868, dB (A):                         | 94           |
| <b>Vibrasjoner</b> <sup>87</sup>   |              |
| Ekvivalente vibrasjonsnivåer (a <sub>hv,eq</sub> ) i håndtak, målt i henhold til ISO 22867, m/s <sup>2</sup> |              |
| Fremre/bakre håndtak   | 3,7/6,2      |

### Tekniske data for batteridrevne produkter

|                                      |            |
|--------------------------------------|------------|
| <b>325iLK + Børstetilbehør BR600</b> |            |
| Børstetrommelens bredde, mm          | 597        |
| Børstetrommelens diameter, mm        | 270        |
| <b>Vekt</b>                          |            |
| Vekt, kg                             | 2,3 + +5,3 |

<sup>85</sup> Utslipp av støy til omgivelsene målt som lydeffekt (L<sub>WA</sub>) samsvarer med EF-direktiv 2000/14/EF. Rapporterte lydeffektnivåer for maskinen er målt med det originale skjærestyret som gir høyest nivå. Forskjellen mellom garantert og målt lydeffekt er at garantert lydeffekt også omfatter spredning i måleresultatet og variasjoner mellom forskjellige maskiner av samme modell, i henhold til direktivet 2000/14/EF.

<sup>86</sup> Rapporterte data for ekvivalent lydtrykksnivå for maskinen har en typisk statistisk spredning (standard avvik) på 1 dB(A).

<sup>87</sup> Rapporterte data for ekvivalent vibrasjonsnivå har en typisk statistisk spredning (standardavvik) på 1 m/s<sup>2</sup>.

|   |         |
|---|---------|
| <b>325iLK + Børstetilbehør BR600</b>  |         |
| <b>Støynivå</b> <sup>88</sup>   |         |
| Lydeffektnivå, målt dB (A)  | 90      |
| <b>Lydnivåer</b> <sup>89</sup>  |         |
| Lydtrykknivå ved brukerens øre, målt i henhold til ISO 22868, dB (A):       | 80      |
| <b>Vibrasjoner</b> <sup>90</sup>  |         |
| Vibrasjonsnivåer i håndtak, målt i henhold til EN 62841-1, m/s <sup>2</sup> |         |
| Utstyrt med godkjent tilbehør (originalt), venstre/høyre                    | 3,3/3,1 |

<sup>88</sup> Rapporterte data for lydstyrkenivå for maskinen har en typisk statistisk spredning (standardavvik) på 3 dB (A) og er målt med originaltilbehør som gir det høyeste nivået.

<sup>89</sup> Rapporterte data for lydtrykknivå for maskinen har en typisk statistisk spredning (standardavvik) på 3 dB (A) og er målt med originaltilbehør som gir det høyeste nivået.

<sup>90</sup> Rapporterte data for vibrasjonsnivå har en typisk statistisk spredning (standardavvik) på 2 m/s<sup>2</sup>. Bruk vibrasjonskalkulatoren for å sammenligne vibrasjonsnivåer, batteri- og bensindrevne produkter. <https://www.husqvarna.com/uk/services-solutions/vibration-calculator/>.

---

# Samsvarserklæring

---

## EU-samsvarserklæring

Vi, **Husqvarna AB**, SE-561 82 Huskvarna, Sverige, tlf.:  
+46 36 146500, erklærer på eget ansvar at produktet:

|                    |                                  |
|--------------------|----------------------------------|
| <b>Beskrivelse</b> | Børstetilsats                    |
| <b>Merke</b>       | Husqvarna                        |
| <b>Type/modell</b> | BR600                            |
| <b>ID</b>          | Serienumre datert 2022 og senere |

fullstendig overholder følgende EU-direktiver og  
-forskrifter:

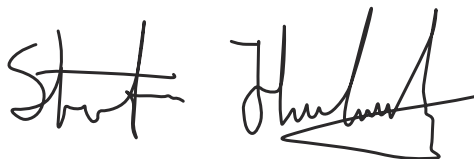
| Direktiv/forordning | Beskrivelse   |
|---------------------|---|
| 2006/42/EC          | «angående maskiner»   |
| 2000/14/EC          | «angående utslipp av støy til omgivelsene»  |
| 2011/65/EU          | «om begrensning av bruk av visse farlige stoffer i elektrisk og elektronisk utstyr» |

og at følgende standarder eller tekniske spesifikasjoner  
er anvendt: EN ISO 12100:2010, EN IEC 63000:2018

RISE SMP Svenska Maskinprovning AB, Box 7035,  
SE-750 07 Uppsala, Sweden har utført frivillig  
typekontroll på vegne av Husqvarna AB.

Sertifikatnummer: SEC/15/2412

Huskvarna, 2022-03-29



Stefan Holmberg, FoU-direktør, teknologiledelse,  
Husqvarna AB

Ansvarlig for teknisk dokumentasjon





# SPIS TREŚCI

|                     |     |   |     |
|---------------------|-----|---|-----|
| Wstęp.....          | 145 | Przegląd.....                               | 151 |
| Bezpieczeństwo..... | 146 | Transport, przechowywanie i utylizacja..... | 152 |
| Montaż.....         | 150 | Dane techniczne.....                        | 152 |
| Przeznaczenie.....  | 150 | Deklaracja zgodności.....                   | 154 |

## Wstęp

### Opis produktu

Nieustannie modernizujemy swoje wyroby, w związku z czym zastrzegamy sobie prawo do wprowadzania zmian dotyczących m.in. wyglądu produktów bez uprzedzenia.

**Uwaga:** Niniejsza instrukcja obejmuje zarówno zespoły napędowe zasilane benzyną, jak i akumulatorem.

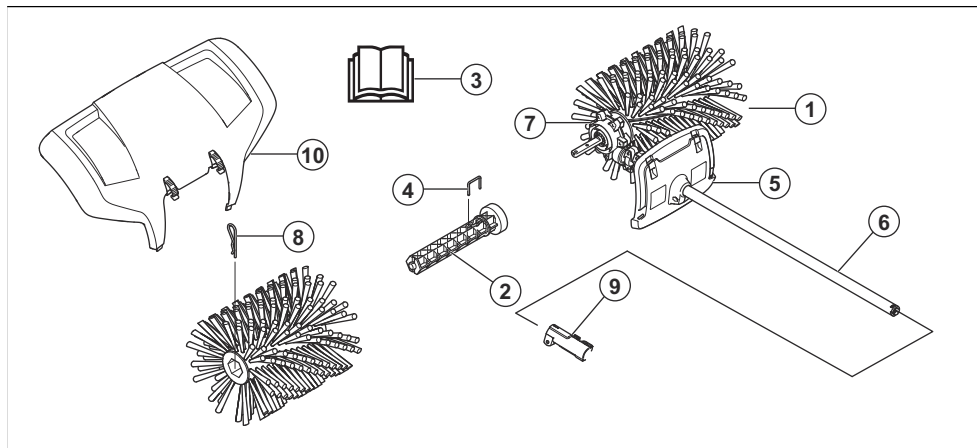
### Przeznaczenie



**OSTRZEŻENIE:** Osprzętu można używać tylko łącznie z produktami, dla których jest ona przeznaczona; patrz rozdział dodatkowy w instrukcji obsługi produktu.

Osprzęt przeznaczony jest wyłącznie do usuwania zanieczyszczeń z trawników, ścieżek, drózek asfaltowych itp. poprzez nadmuch powietrza.

### Przegląd osprzętu



1. Szczotka w kształcie walca
2. Oś szczotki
3. Podręcznik użytkownika
4. Kołek blokujący
5. Osłona (zabezpieczenie wałka)
6. Wysięgnik
7. Osłona przekładni
8. Zawlecza
9. Złączka wałka (dołączona do produktu)
10. Osłona przeciwdpryskowa

### Symbole na osprzęcie i na zespole napędowym



Nieuważne lub nieprawidłowe posługiwanie się osprzętem może być przyczyną poważnych obrażeń lub śmierci obsługującego bądź innych osób.



Uważnie przeczytać instrukcję obsługi i przed użyciem osprzętu upewnić się, że wszystkie wskazówki są zrozumiałe.



Stosować atestowane ochronniki słuchu. Stosować atestowane środki ochrony oczu. Jeśli istnieje ryzyko powstawania pyłu, należy stosować maskę przeciwpyłową.



Niniejszy osprzęt jest zgodny z obowiązującymi dyrektywami wspólnoty europejskiej.



Ten produkt jest zgodny z przepisami obowiązującymi w Wielkiej Brytanii.



Części obrotowe. Nie zbliżać rąk ani stóp. Strzałka wskazuje kierunek obrotu.



Należy zawsze używać zatwierdzonych rękawic ochronnych.



Używać przeciwpoślizgowego, stabilnego obuwia wysokiego.



Ostrzeżenie przed odrzucanymi i rykoszetującymi przedmiotami.



Operator musi upewnić się, że żadne osoby ani zwierzęta nie znajdują się w odległości mniejszej niż 15 m. Jeśli kilku operatorów pracuje w tym samym miejscu, musi być zachowana odległość bezpieczeństwa wynosząca co najmniej 15 m. Osprzęt jest w stanie odrzucać z dużą siłą przedmioty, które mogą odbić się z powrotem. Jeżeli nie jest stosowane zalecane wyposażenie ochronne, może to doprowadzić do poważnych urazów oczu.



Podczas korzystania z produktu należy zachować minimalną odległość 15 m / 50 stóp od innych osób lub zwierząt.



Trzymać wszystkie części ciała z dala od powierzchni gorących.



Etykieta emisji hałasu do środowiska zgodnie z dyrektywami oraz przepisami UE i Wielkiej Brytanii, a także przepisami Nowej Południowej Walii „Protection of the Environment Operations (Noise Control) Regulation 2017”. Gwarantowany poziom mocy akustycznej urządzenia jest określony w *Dane techniczne na stronie 152* oraz na etykiecie.

**Uwaga:** Pozostałe symbole/naklejki samoprzylepne umieszczone na osprzęcie tnącym dotyczą specjalnych wymogów, związanych z certyfikatami w poszczególnych krajach.

## Bezpieczeństwo

### Definicje dotyczące bezpieczeństwa

Ostrzeżenia, uwagi i informacje są używane do zwrócenia uwagi na szczególnie ważne sekcje instrukcji obsługi.



**OSTRZEŻENIE:** Stosuje się, gdy istnieje ryzyko poważnych obrażeń lub śmierci operatora albo osób postronnych w wyniku nieprzestrzegania instrukcji obsługi.



**UWAGA:** Stosuje się, gdy istnieje ryzyko uszkodzenia produktu i/lub przystawki, innych materiałów lub otoczenia w wyniku nieprzestrzegania instrukcji obsługi.

**Uwaga:** Stosuje się, aby przekazać więcej informacji, które są przydatne w danej sytuacji.

### Ogólne zasady bezpieczeństwa



**OSTRZEŻENIE:** Przed rozpoczęciem użytkowania osprzętu

należy przeczytać następujące zasady bezpieczeństwa.

- Należy dokładnie przeczytać instrukcję obsługi i przed użyciem osprzętu upewnić się, że wszystkie wskazówki zostały zrozumiane.
- Niniejsza instrukcja jest uzupełnieniem instrukcji dostarczonej z urządzeniem. Informacje o innych procedurach znajdują się w instrukcji obsługi urządzenia.
- Pod żadnym pozorem nie wolno zmieniać ani modyfikować fabrycznej konstrukcji osprzętu bez zezwolenia wydanego przez producenta. Nie należy używać osprzętu, który wydaje się zmodyfikowany przez inne osoby, oraz należy zawsze stosować oryginalne akcesoria. Samowolne wprowadzanie zmian oraz/lub montowanie wyposażenia niezatwierdzonego przez producenta może stać się przyczyną groźnych obrażeń lub śmierci obsługującego urządzenie bądź innych osób.

## Należy przeczytać wszystkie instrukcje



**OSTRZEŻENIE:** Aby ograniczyć ryzyko pożaru, porażenia prądem i/lub poważnych obrażeń podczas korzystania z elektrycznego sprzętu ogrodniczego, należy zawsze stosować następujące podstawowe środki bezpieczeństwa:

## Instrukcje bezpieczeństwa dotyczące obsługi



**OSTRZEŻENIE:** Przed rozpoczęciem użytkowania produktu przeczytać następujące ostrzeżenia.

- Mimo iż szczołki w kształcie walca nie mają takiej samej siły, jak na przykład kosiarka, należy unikać pracy przy materiałach, które mogą wywołać obrażenia ciała lub uszkodzenie mienia w przypadku ich odrzucenia.
  - Nigdy nie używać urządzenia, jeśli nie ma możliwości wezwania pomocy w razie wypadku.
  - Używać produktu tylko zgodnie z jego przeznaczeniem.
  - Nie wolno pracować urządzeniem w stanie przemęczenia, po spożyciu alkoholu lub po przyjęciu leków osłabiających wzrok, zdolność oceny i koordynację.
  - Nigdy nie używać produktu w ekstremalnych warunkach pogodowych i klimatycznych, np. przy bardzo dużym mrozie lub w bardzo gorącym lub/oraz wilgotnym klimacie.
  - Nie wolno pracować uszkodzonym urządzeniem. Przeprowadzać kontrole bezpieczeństwa oraz czynności z zakresu konserwacji i obsługi technicznej podane w niniejszej instrukcji. Niektóre czynności konserwacyjne i obsługowe muszą być wykonane przez przeszkolonego i wykwalifikowanego specjalistę. Patrz wskazówki w części zatytułowanej „Konserwacja”.
  - Nigdy nie pozwalaj używać urządzenia dzieciom.
  - Produkt mogą obsługiwać wyłącznie osoby, które wcześniej dokładnie zapoznały się z niniejszą instrukcją obsługi.
  - Wszelkie niepowołane osoby powinny znajdować się w odpowiedniej odległości od maszyny. Podczas obsługi urządzenia dzieci, zwierzęta, osoby postronne i pomocnicy powinni znajdować się w odległości co najmniej 15 m. W przypadku zbliżenia się osób trzecich natychmiast wyłączyć urządzenie.
  - Jeżeli znajdziesz się w sytuacji, w której nie jesteś pewny prawidłowości dalszego sposobu postępowania, zasięgnij porady eksperta. Zwróć się do swojego dealera lub warsztatu obsługi technicznej.
  - Nie podejmuj się pracy, gdy uważasz, że nie masz wystarczających kwalifikacji.
  - Należy obserwować, co dzieje się w otoczeniu, i upewnić się, czy nie zachodzi ryzyko, że ludzie lub zwierzęta mogą wpłynąć na zdolność do obsługi urządzenia.
  - Mając założone ochronniki słuchu, należy zawsze być szczególnie uważnym na sygnały i zawołania ostrzegawcze. Ochronniki słuchu należy zdejmować zaraz po wyłączeniu silnika.
  - Nie należy używać produktu w złych warunkach atmosferycznych, np. w czasie gęstej mgły, dużych opadów, silnego wiatru, dużego mrozu itp. Praca przy złej pogodzie jest męcząca i niesie ze sobą dodatkowe zagrożenia, jak np. śliski grunt.
- Dopilnować, aby podczas montażu, kontroli i/lub wykonywania czynności konserwacyjnych nie doszło do niezamierzonego uruchomienia. W przypadku urządzeń napędzanych benzyną odłączyć fajkę świecy zapłonowej od świecy. W przypadku urządzeń z napędem akumulatorowym wyjąć akumulator.
  - Czasami do zębów może dostać się trawa i kamienie. Na czas czyszczenia silnik należy zawsze wyłączyć.
  - Należy uważać na odrzucane przedmioty. Należy zawsze stosować środki ochrony wzroku. Zabrania się opierania się o szczołkę. Odrzucane przez urządzenie kamienie lub odłamki mogą trafić w oczy, powodując utratę wzroku lub inne poważne obrażenia.
  - W czasie pracy przekładnia może rozgrzewać się do wysokiej temperatury, która może utrzymywać się na takim poziomie przez jakiś czas. Dotknięcie tego elementu grozi oparzeniem.
  - Podczas uruchamiania urządzenia należy trzymać je w bezpiecznej pozycji.

- Należy zapewnić sobie bezpieczne poruszanie i pozycję przy pracy.



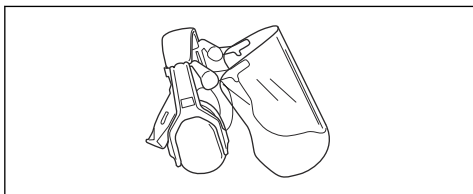
- Podczas przenoszenia produkt musi być wyłączony.
- Nigdy nie pozostawiać urządzenia z włączonym silnikiem bez nadzoru.
- Produkt należy zawsze trzymać obiema rękami. Trzymać produkt z boku tułowia.
- Upewnić się, że dłonie i stopy nie znajdują się w pobliżu szczotki podczas uruchamiania silnika.
- Po wyłączeniu silnika nie należy zbliżać się do szczotki, dopóki maszyna całkowicie się nie zatrzyma.
- W przypadku wystąpienia silnych wibracji należy zatrzymać urządzenie. W przypadku urządzeń napędzanych benzyną zdjąć przewód ze świecy zapłonowej. W przypadku urządzeń z napędem akumulatorowym wyjąć akumulator. Należy sprawdzić, czy produkt nie jest uszkodzony. Naprawić maszynę, jeśli została uszkodzona.

## Środki ochrony osobistej



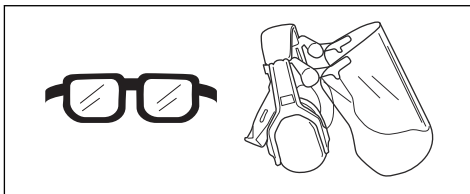
**OSTRZEŻENIE:** Przed rozpoczęciem użytkowania produktu przeczytać następujące ostrzeżenia.

- Podczas używania produktu należy zawsze mieć na sobie zatwierdzone środki ochrony osobistej. Środki ochrony osobistej nie eliminują ryzyka odniesienia obrażeń, ograniczają natomiast ich rozmiar w razie zaistnienia wypadku. Skorzystać z pomocy dealera przy wyborze odpowiedniego sprzętu.
- Stosować atestowane ochronniki słuchu o wystarczających właściwościach tłumiących. Długotrwałe przebywanie w hałasie może doprowadzić do trwałej utraty słuchu.

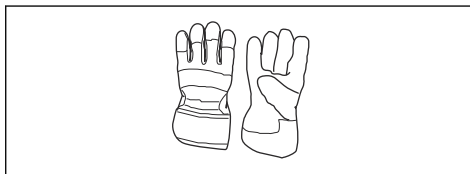


- Stosować atestowane środki ochrony oczu. Podczas używania maski ochronnej twarzy należy mieć na sobie także zatwierdzone okulary ochronne. Za

zatwierdzone okulary ochronne uważane są takie, które są zgodne z normami ANSI Z87.1 dla USA lub EN 166 dla krajów UE.



- W razie potrzeby, na przykład podczas mocowania, badania czy czyszczenia narzędzi tnących, stosować rękawice ochronne.



- Nosić buty ochronne ze stalowymi noskami i antypoślizgowymi podszewkami.



- Nosić odzież wykonaną z mocnego materiału. Nosić odzież z długimi nogawkami i długimi rękawami, wykonaną z mocnego materiału. Luźne części odzieży mogą zahaczyć o krzewy lub gałęzie. Nie nosić biżuterii, krótkich spodni ani sandałów i nie pracować z odsłoniętymi stopami. Utrzymywać włosy w sposób bezpieczny powyżej poziomu barków.
- Zawsze mieć pod ręką apteczkę pierwszej pomocy.



## Zespoły zabezpieczające na osprzęcie



**OSTRZEŻENIE:** Przed rozpoczęciem użytkowania osprzętu należy przeczytać następujące ostrzeżenia.

Niniejszy rozdział określa zespoły zabezpieczające osprzętu, jego przeznaczenie oraz sposób, w jaki należy przeprowadzać sprawdzanie i konserwację, aby

zapewnić jego poprawne działanie. Patrz wskazówki pod nagłówkiem *Przeгляд osprzętu na stronie 145*, aby sprawdzić rozmieszczenie poszczególnych elementów w danym osprzęcie.

Jeżeli osprzęt nie jest prawidłowo konserwowany i poddawany profesjonalnie wykonywanym naprawom i/lub obsłudze technicznej, skraca się jego żywotność i zwiększa ryzyko wypadku. Aby uzyskać dodatkowe informacje, należy skontaktować się z najbliższym punktem serwisowym.



**OSTRZEŻENIE:** Nie wolno używać osprzętu, którego zespoły zabezpieczające są uszkodzone. Zespoły zabezpieczające osprzętu należy kontrolować i konserwować zgodnie z opisem w niniejszym rozdziale. Jeżeli osprzęt nie spełnia któregokolwiek z warunków kontrolnych, skontaktować się z przedstawicielem serwisu w celu dokonania naprawy.



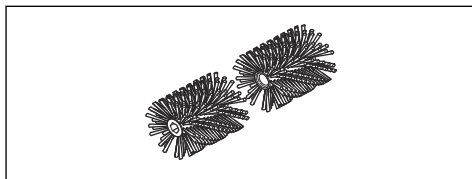
**OSTRZEŻENIE:** Wszelkie czynności obsługowe i naprawy produktu wymagają specjalnego przeszkolenia. Szczególnie dotyczy to elementów zabezpieczających produktu. Jeżeli produkt nie spełnia jakiegokolwiek z niżej wymienionych warunków kontrolnych, należy go oddać do warsztatu obsługi technicznej. Kupując nasze produkty, zyskujesz także gwarancję profesjonalnej obsługi i napraw. Jeżeli w miejscu zakupu nie jest prowadzona obsługa serwisowa, można zapytać o adres najbliższego warsztatu obsługi technicznej.

## Instrukcje bezpieczeństwa dotyczące konserwacji



**OSTRZEŻENIE:** Należy zawsze zatrzymać urządzenie przed rozpoczęciem konserwacji dowolnej części osprzętu. Należy zachować ostrożność, ponieważ jego elementy mogą się poruszać nawet po zwolnieniu przepustnicy/manetki gazu. Upewnić się, że osprzęt całkowicie się zatrzymał. W przypadku urządzeń napędzanych benzyną zdjąć przewody ze świecy zapłonowej. W przypadku urządzeń z napędem akumulatorowym wyjąć akumulator.

- Przed rozpoczęciem należy sprawdzić stan całego urządzenia. Wymienić zniszczone części na nowe.
- Sprawdzić, czy wszystkie osłony zostały nałożone i są prawidłowo zamontowane. Sprawdzić wszystkie nakrętki i śruby.
- W przypadku urządzeń napędzanych benzyną sprawdzić, czy nie ma wycieków paliwa.
- Sprawdzić, czy szczotki nie są uszkodzone i czy nie ma na nich śladów pęknięć lub innych uszkodzeń.

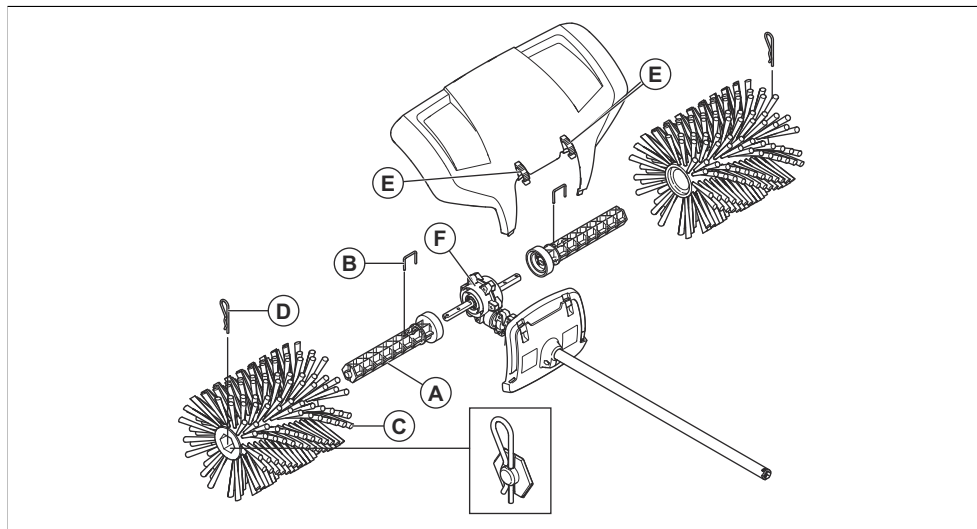


---

## Montaż

---

### Montaż osprzętu



1. Nasunąć jedną z osi szczotki w kształcie walca (A) na jeden z dwóch wałków napędowych, które znajdują się po obu stronach obudowy przekładni (F). W razie potrzeby obrócić szczotkę tak, aby otwór przeznaczony na kolek blokujący znalazł się w jednej linii z odpowiednim otworem w wałku napędowym.
2. Zabezpieczyć wałek za pomocą kolka blokującego.
3. Nałożyć jeden wałków szczotki (C) na złożony wałek napędowy. Wcisnąć wałek do momentu, w którym się zatrzyma.

4. Zabezpieczyć wałek na wałku napędowym pomocą zawleczki (D). Podczas montażu delikatnie naciskać końcówkę.
5. Powtórzyć powyższe czynności w celu złożenia osi i wałka po drugiej stronie.
6. Zamontować osłonę przeciwbryzgową za pomocą elementów łącznych na zatrzask (E).

---

**Uwaga:** Informacje dotyczące montażu akcesoriów na urządzeniu zasadniczym znajdują się w instrukcji obsługi tego produktu.

---

---

## Przeznaczenie

---

### Korzystanie z osprzętu

1. Opierając szczotkę o podłoże, uruchomić urządzenie tak, aby pracowało na pełnej (lub niemal pełnej) mocy/prędkości.

---

**Uwaga:** Podnoszenie lub utrzymywanie szczotki ponad podłożem podczas pracy jest zarówno męczące, jak i niepotrzebne.

---

2. Podczas oczyszczania wąskich powierzchni, np. ścieżek, urządzenia można używać tak, aby wyrzucało materiał do przodu, przed użytkownika. W przypadku pracy na szerszych przestrzeniach można zmienić kąt pracy tak, aby materiał gromadził się po jednej ze stron. Lekki materiał może być gromadzony w jednym rzędzie lub na stosie do późniejszego uprzągnięcia, podczas gdy materiał o większych rozmiarach może wymagać gromadzenia w kilku skupiskach.



3. Aby dostać się do przestrzeni narożnej, należy zdjąć osłonę przeciwdopryskową i poluzować złącze akcesorium, a następnie obrócić akcesorium o 180 stopni.



**OSTRZEŻENIE:** W rezultacie materiał będzie odrzucany do tyłu, w kierunku operatora. Podczas obracania urządzenia należy zmniejszyć prędkość jej obrotów; należy także pamiętać o niebezpieczeństwie potknięcia się.

4. Podczas pracy należy utrzymywać maszynę pod małym kątem odchylenia w stosunku do powierzchni. Zbyt duży kąt odchylenia może grozić przesuwaniem się zmiataarki w stronę operatora oraz utratą kontroli nad urządzeniem.



## Przegląd

### Wstęp

<:fc 2>Poniżej podano kilka ogólnych zasad konserwacji.<:/fc> Jeśli potrzebujesz dodatkowych informacji, skontaktuj się z warsztatem obsługi technicznej.

### Przeprowadzanie przeglądu produktu

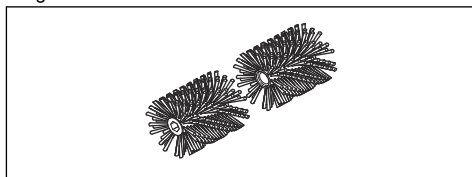


**UWAGA:** Akcesorium pracuje w brudnych warunkach. W przypadku produktów napędzanych benzyną należy bezwzględnie pamiętać o regularnej konserwacji filtra powietrza. Filtr powietrza musi być smarowany olejem, aby działał prawidłowo. Instrukcje dotyczące konserwacji znajdują się w instrukcji obsługi jednostki napędowej.



**OSTRZEŻENIE:** Po zakończeniu pracy urządzeniem przekładnia jest gorąca. Nie dotykać obudowy przekładni, aby się nie oparzyć.

1. Sprawdzić, czy szczotki w kształcie walca pozostają nieruchome po zwolnieniu przepustnicy/manetki gazu.



2. Sprawdzić szczotki pod kątem uszkodzeń i pęknięć. W razie potrzeby wymienić szczotki.

3. W przypadku dłuższego czasu nieużywania przechowywać urządzenie w pozycji wiszącej.

## Transport, przechowywanie i utylizacja

### Transport i przechowywanie

W przypadku transportowania osprzętu innym pojazdem należy zawsze korzystać z zatwierdzonych urządzeń zabezpieczających i zadbać o to, by osprzęt był prawidłowo zamocowany.

Przed odstawieniem osprzętu na dłuższe przechowanie należy go dokładnie oczyścić i przeprowadzić kompletny serwis.

## Dane techniczne

### Dane techniczne dot. urządzeń napędzanych benzyną

|   |              |
|---|--------------|
| <b>Szczotka szczecinowa</b>   | <b>BR600</b> |
| Szczotka w kształcie walca, szerokość w mm  | 597          |
| Szczotka w kształcie walca, średnica w mm   | 270          |
| <b>Waga</b>   |              |
| Waga, kg  | 5,3          |
| <b>Emisje hałasu</b> <sup>91</sup>  |              |
| Zmierzony poziom mocy akustycznej, w dB(A)  | 106          |
| Poziom głośności, gwarantowana moc akustyczna [L <sub>WA</sub> dB(A)]   | 110          |
| <b>Poziomy głośności</b> <sup>92</sup>  |              |
| Równoważny poziom ciśnienia akustycznego przy uchu operatora zmierzony zgodnie z normą EN ISO 22868, w dB(A): | 94           |
| <b>Wibracje</b> <sup>93</sup>   |              |
| Równoważne poziomy drgań uchwytów ( $a_{hv,eq}$ ), zmierzone zgodnie z normami: ISO 22867, m/s <sup>2</sup>   |              |
| Uchwyt przedni/tylny  | 3,7/6,2      |

<sup>91</sup> Emisję hałasu do otoczenia zmierzono jako moc akustyczną (L<sub>WA</sub>), zgodnie z dyrektywą WE 2000/14/WE. Odnotowany poziom ciśnienia akustycznego dla maszyny został zmierzony z oryginalnym osprzętem tnącym, takim który daje najwyższy poziom hałasu. Różnica pomiędzy gwarantowanym a zmierzonym poziomem ciśnienia akustycznego wynika z tego, że poziom gwarantowany zawiera także rozproszenie w wynikach pomiaru oraz różnice pomiędzy różnymi typami maszyn tego samego modelu zgodnie z Dyrektywą 2000/14/EC.

<sup>92</sup> Odnotowane dane dotyczące równoważnego ciśnienia akustycznego urządzenia wykazują typowe rozproszenie statystyczne (odchylenie standardowe) w wysokości 1 dB(A).

<sup>93</sup> Odnotowane dane dotyczące równoważnego poziomu wibracji wykazują typowe rozproszenie statystyczne (odchylenie standardowe) w wysokości 1 m/s<sup>2</sup>.



## Dane techniczne dot. urządzeń akumulatorowych

|  |         |
|--|---------|
| <b>325iLK + szczotka szczecinowa BR600</b>   |         |
| Szczotka w kształcie walca, szerokość w mm   | 597     |
| Szczotka w kształcie walca, średnica w mm  | 270     |
| <b>Waga</b>  |         |
| Ciężar, kg   | 2,3+5,3 |
| <b>Emisje hałasu</b> <sup>94</sup>   |         |
| Zmierzony poziom mocy akustycznej, w dB(A)   | 90      |
| <b>Poziomy głośności</b> <sup>95</sup>   |         |
| Poziom ciśnienia akustycznego przy uchu operatora zmierzony zgodnie z normą ISO 22868, w dB(A) | 80      |
| <b>Wibracje</b> <sup>96</sup>  |         |
| Poziomy drgań uchwytów mierzone zgodnie z normą EN 62841-1, m/s <sup>2</sup>                   |         |
| W zestawie zatwierdzone akcesorium (oryginalne), lewa/prawa                                    | 3,3/3,1 |

<sup>94</sup> Odnotowane dane dotyczące poziomu mocy akustycznej urządzenia wykazują typowe rozproszenie statystyczne (odchylenie standardowe) w wysokości 3 dB(A) i zostały zmierzone z oryginalnym osprzętem, który daje najwyższy poziom hałasu.

<sup>95</sup> Odnotowane dane dotyczące poziomu ciśnienia akustycznego urządzenia wykazują typowe rozproszenie statystyczne (odchylenie standardowe) w wysokości 3 dB(A) i zostały zmierzone z oryginalnym osprzętem, który daje najwyższy poziom.

<sup>96</sup> Odnotowane dane dla poziomu wibracji mają typowe rozproszenie statystyczne (odchylenie standardowe) w wysokości 2 m/s<sup>2</sup>. Do porównywania poziomu drgań, akumulatorów i produktów spalania służy kalkulator drgań. <https://www.husqvarna.com/uk/services-solutions/vibration-calculator/>.

# Deklaracja zgodności

## Deklaracja zgodności UE

Firma **Husqvarna AB**, SE-561 82 Huskvarna,  
Szwecja, tel.: +46-36-146500, deklarujemy z pełną  
odpowiedzialnością, że produkt:

|                      |                                     |
|----------------------|-------------------------------------|
| <b>Opis</b>          | Szczotka szczecinowa - przystawka   |
| <b>Marka</b>         | Husqvarna                           |
| <b>Typ/model</b>     | BR600                               |
| <b>Identyfikacja</b> | Numery seryjne z roku 2022 i nowsze |

spełnia wszystkie wymogi określone w odpowiednich  
dyrektywach i przepisach UE:

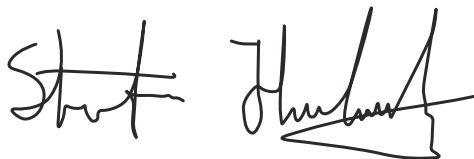
| Dyrektywa/przepis | Opis   |
|-------------------|--|
| 2006/42/WE        | „w sprawie maszyn”   |
| 2000/14/WE        | „dotycząca emisji hałasu do środowiska”  |
| 2011/65/UE        | „dotycząca ograniczenia użycia niektórych substancji niebezpiecznych w sprzęcie elektrycznym i elektronicznym” |

oraz został zaprojektowany zgodnie z następującymi  
normami i parametrami technicznymi: EN ISO  
12100:2010, EN IEC 63000:2018

Dobrowolna kontrola homologacyjna na rzecz  
Husqvarna AB została przeprowadzona przez RISE  
SMP Svenska Maskinprovning AB, Box 7035, SE-750  
07 Uppsala, Sweden.

Numer certyfikatu: SEC/15/2412

Huskvarna, 2022-03-29



Stefan Holmberg, Dyrektor ds. badań i rozwoju,  
Zarządzanie technologią, Husqvarna AB

Osoba odpowiedzialna za dokumentację techniczną



# ÍNDICE

|                    |     |   |     |
|--------------------|-----|---|-----|
| Introdução.....    | 155 | Manutenção.....                             | 161 |
| Segurança.....     | 156 | Transporte, armazenamento e eliminação..... | 162 |
| Montagem.....      | 160 | Especificações técnicas.....                | 162 |
| Funcionamento..... | 160 | Declaração de conformidade.....             | 164 |

## Introdução

### Descrição do produto

Seguimos uma política de desenvolvimento contínuo dos nossos produtos e, por conseguinte, reservamo-nos o direito de modificar o design e o aspeto dos mesmos, sem aviso prévio.

**Nota:** Este manual abrange ambas as unidades de potência, operadas a gasolina e a bateria.

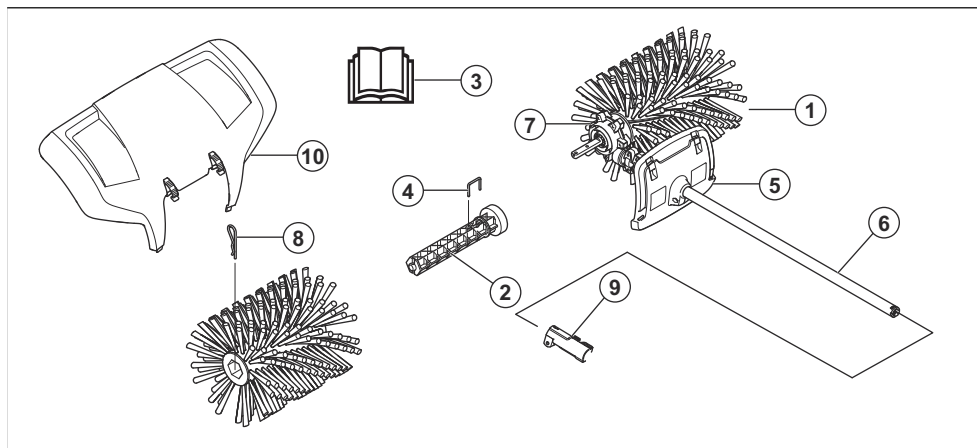
### Finalidade



**ATENÇÃO:** Este acessório apenas pode ser utilizado juntamente com o produto pretendido; consulte o capítulo do acessório no manual do utilizador do produto.

O acessório foi concebido apenas para varrer caminhos, estradas de asfalto e similares.

### Vista geral do acessório



1. Tambor da escova
2. Eixo do tambor
3. Manual do utilizador
4. Pino de bloqueio
5. Proteção (proteção no eixo)
6. Eixo
7. Caixa de engrenagem
8. Pino ranhurado
9. Acoplamento do eixo (incluído com o produto)
10. Protecção contra salpicos

### Símbolos no acessório e na unidade de potência



A utilização indevida ou incorreta deste acessório pode provocar ferimentos graves ou fatais no utilizador ou noutras pessoas.



Leia o manual do utilizador com atenção e certifique-se de que compreende as instruções antes de utilizar o acessório.





Utilize protetores acústicos aprovados. Utilize proteção ocular aprovada. Use uma máscara respiratória quando houver risco de poeira.



Este acessório está em conformidade com as diretivas aplicáveis da CE.



Este produto está em conformidade com os regulamentos aplicáveis do Reino Unido.



Peças rotativas. Mantenha as mãos e os pés afastados. A seta indica o sentido de rotação.



Use sempre luvas de proteção aprovadas.



Use botas resistentes e antiderrapantes.



Tenha cuidado com objetos projetados e ricochetes.

O operador tem de garantir que não há pessoas nem animais a menos de 15 m de distância. No caso de estarem vários operadores a trabalhar no mesmo local, tem de ser implementada uma distância de segurança de, pelo menos, 15 m. O acessório pode arremessar violentamente objetos que podem fazer ricochete. Isso pode levar a graves lesões nos olhos no caso do equipamento de segurança recomendado não ser usado.



Mantenha pessoas e animais a uma distância mínima de 15 m/50 pés durante o funcionamento do produto.



Mantenha todas as partes do seu corpo afastadas das superfícies quentes.



Emissão de ruído para a etiqueta ambiental de acordo com as diretivas e regulamentos da União Europeia e do Reino Unido e o regulamento "Protection of the Environment Operations (Noise Control) Regulation 2017" (regulamento de proteção de operações no meio ambiente [controlo do ruído] de 2017) da Nova Gales do Sul. O nível de potência sonora garantido do produto está especificado nas *Especificações técnicas na página 162* e na etiqueta.

**Nota:** Os restantes símbolos/autocolantes existentes no acessório dizem respeito a exigências específicas para homologação em alguns países.

## Segurança

### Definições de segurança

Os avisos, as precauções e as notas são utilizados para indicar partes especialmente importantes do manual do utilizador.



**ATENÇÃO:** Utilizado no caso de existir risco de ferimento ou morte para o utilizador ou transeuntes, se não forem respeitadas as instruções do manual.



**CUIDADO:** Utilizado se existir risco de danos para o produto e/ou acessório, para outros materiais ou para a área adjacente, se não forem respeitadas as instruções do manual.

**Nota:** Utilizado para disponibilizar informações adicionais necessárias numa determinada situação.

## Instruções de segurança gerais



**ATENÇÃO:** Leia as instruções de segurança que se seguem antes de utilizar o acessório.

- Leia atentamente as instruções do manual do utilizador e certifique-se de que compreende o seu conteúdo antes de utilizar o acessório.
- Estas instruções complementam as instruções que foram incluídas com o produto. Para outros procedimentos, consulte as instruções de funcionamento do produto.
- Não é permitido modificar, em circunstância alguma, a configuração original do acessório sem a autorização expressa do fabricante. Não utilize um acessório que pareça ter sido modificado por outros e utilize sempre acessórios originais. A realização de modificações e/ou a utilização de acessórios não autorizados podem provocar ferimentos pessoais graves ou perigo de vida para o utilizador ou terceiros.

## Leia todas as instruções



**ATENÇÃO:** Quando utilizar ferramentas elétricas de jardinagem, deve respeitar sempre as seguintes precauções de segurança básicas de forma a minimizar o risco de choque elétrico, incêndio e ferimentos graves:

## Instruções de segurança para funcionamento



**ATENÇÃO:** Leia as instruções de aviso que se seguem antes de utilizar o produto.

- Certifique-se de que evita o arranque acidental aquando da montagem, verificação e/ou realização de manutenção. Se utilizar um produto alimentado a gasolina, desligue a cobertura da vela de ignição. Se possuir um produto alimentado a bateria, retire a bateria.
- Por vezes, relva e pedras podem ficar presas nos dentes. Desligue sempre o motor quando efetuar a limpeza.
- atenção a objetos arremessados. Use sempre proteção ocular. Nunca dobre o tambor da escova. Pedras, lixo, etc., podem ser arremessados contra os olhos e causar cegueira ou ferimentos graves nos olhos.
- A engrenagem pode ficar quente durante a utilização e manter-se assim durante algum tempo. Risco de queimaduras em caso de contacto directo. Cuidado com material arremessado.
- Segure bem no produto durante o arranque.
- Apesar de os tambores da escova não terem a mesma força que as lâminas do cortador de relva deve evitar, por exemplo, trabalhar com materiais que possam provocar ferimentos pessoais ou danos de propriedade caso estes sejam arremessados.
- Não utilize o produto a menos que seja possível pedir ajuda em caso de acidente.
- Utilize o produto apenas para as funções a que o mesmo se destina.
- Nunca utilize o produto se estiver cansado, se tiver ingerido bebidas alcoólicas ou se estiver a tomar medicação que possa afetar a visão, o discernimento ou a coordenação motora.
- Nunca utilize o produto em condições climáticas extremas, tais como frio muito intenso ou tempo muito quente e/ou húmido.
- Nunca utilize um produto defeituoso. Efectue as verificações de segurança e cumpra as instruções de manutenção e assistência técnica contidas neste manual. Alguns serviços de manutenção e de assistência técnica têm de ser executados por especialistas formados e qualificados. Consulte as instruções na secção Manutenção.
- Nunca permita que crianças utilizem o produto.
- Nunca permita que outra pessoa utilize o produto sem estar certo de que a mesma leu e entendeu o conteúdo do manual de instruções.
- Mantenha afastadas as pessoas não autorizadas. As crianças, animais, observadores e ajudantes devem ficar fora do perímetro de segurança de 15 m enquanto trabalha. Pare imediatamente o produto se alguém se aproximar.
- Se tiver alguma dúvida relativa ao procedimento a seguir, entre em contacto com um técnico especialista. Dirija-se ao seu revendedor ou à sua oficina autorizada.
- Não utilize funções da máquina para as quais não está preparado.
- Não observe o espaço à sua volta e certifique-se de que não há risco de pessoas ou animais entrarem em contacto com o produto ou afetarem o seu controlo sobre este.
- quando estiver a utilizar protectores acústicos, esteja atento a sinais de aviso ou gritos. Retire sempre os protetores acústicos assim que o motor parar.
- Não utilize o produto em más condições climáticas, tais como nevoeiro denso, chuvas fortes, vento forte, frio intenso, etc. Trabalhar sob más condições climáticas é cansativo e muitas vezes acarreta riscos adicionais, como piso com gelo.

- Certifique-se de que pode andar e estar de pé com segurança.



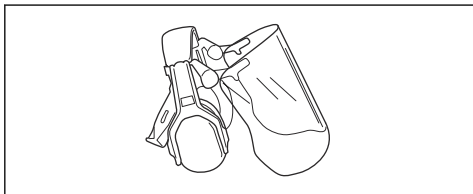
- Desligue o produto antes de se deslocar.
- Não pouse o produto com o motor em funcionamento sem que o tenha bem vigiado.
- Utilize sempre ambas as mãos para segurar o produto. Mantenha o produto ao lado do corpo.
- Tenha cuidado para que as mãos e os pés não se aproximem da escova quando o motor está a trabalhar.
- Ao desligar o motor, mantenha as mãos e os pés afastados da escova até que o motor esteja totalmente parado.
- Se ocorrerem fortes vibrações, pare o produto. Se possuir um produto alimentado a gasolina, desligue o cabo de alta tensão da vela de ignição. Se possuir um produto alimentado a bateria, retire a bateria. Certifique-se de que o produto não está danificado. Repare eventuais danos.

## Equipamento de proteção pessoal



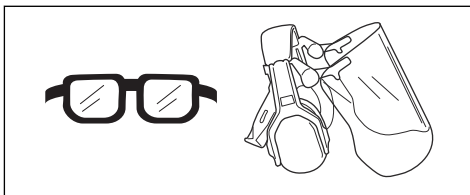
**ATENÇÃO:** Leia as instruções de aviso que se seguem antes de utilizar o produto.

- Utilize sempre equipamento de proteção pessoal aprovado ao utilizar o produto. O equipamento de proteção pessoal não previne totalmente os ferimentos mas diminui a respetiva gravidade em caso de acidente. Obtenha ajuda junto do seu concessionário para selecionar o equipamento certo.
- Utilize protetores acústicos aprovados com suficiente insonorização. A exposição prolongada a ruídos pode provocar danos auditivos permanentes.

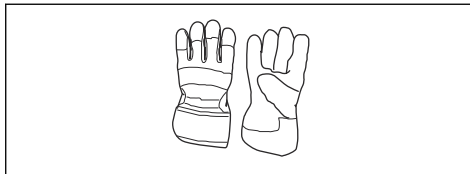


- Utilize proteção ocular aprovada. Mesmo com viseira, é necessário utilizar óculos de proteção aprovados. Consideram-se óculos de proteção

aprovados os que estejam conformes com a norma ANSI Z87.1 nos EUA ou EN 166 nos países da UE.



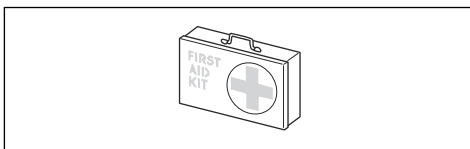
- Use luvas sempre que necessário, por exemplo, ao fixar, examinar ou limpar o acessório de corte.



- Use botas de proteção com biqueira de aço e solas antidesslizantes.



- Utilize vestuário fabricado com um tecido resistente. Utilize sempre calças e mangas compridas grossas. Não utilize vestuário largo que possa ficar preso em galhos e ramos. Não utilize joias, calções, nem ande de sandálias ou descalço. Coloque o seu cabelo acima dos ombros para maior segurança.
- Mantenha equipamentos de primeiros socorros sempre à mão.



## Dispositivos de segurança no acessório



**ATENÇÃO:** Leia as instruções de aviso que se seguem antes de utilizar o acessório.

Esta secção contém as funcionalidades de segurança do acessório, a respetiva função e ainda a forma de se efetuar verificações e manutenção para garantir o funcionamento correto do mesmo. Para localizar estes componentes no seu acessório, consulte as instruções na secção *Vista geral do acessório na página 155*.

Se a manutenção do acessório não for devidamente efetuada e se a assistência e/ou as reparações não forem realizadas por profissionais, a vida útil do produto pode ser afetada e o risco de acidentes pode aumentar. Para obter mais informações, contacte o seu revendedor local.



**ATENÇÃO:** Nunca utilize um acessório com componentes de segurança defeituosos. O equipamento de segurança do acessório tem de ser inspecionado e a respetiva manutenção efetuada conforme descrito nesta secção. Se o acessório falhar alguma destas verificações, contacte uma oficina autorizada para a respetiva reparação.



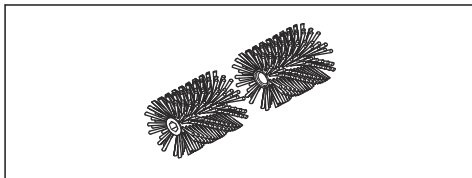
**ATENÇÃO:** Todos os trabalhos de manutenção e reparação do produto requerem formação especializada. Isto aplica-se especialmente ao equipamento de segurança do produto. Se o produto falhar alguma das verificações que se seguem, é necessário contactar a sua oficina autorizada. A compra de qualquer um dos nossos produtos garante-lhe a obtenção de reparação e assistência profissionais. Se o local da compra do produto não for um dos nossos revendedores com assistência técnica, solicite a morada da oficina autorizada mais próxima.

## Instruções de segurança para manutenção



**ATENÇÃO:** Pare sempre o motor antes de efetuar o trabalho de manutenção no acessório. Tenha cuidado, o acessório pode continuar a mover-se depois de libertar o interruptor de alimentação/aceleração. Certifique-se de que o acessório parou totalmente. Se possuir um produto alimentado a gasolina, desligue os cabos de alta tensão da vela de ignição. Se possuir um produto alimentado a bateria, retire a bateria.

- Verifique o produto por completo antes de o ligar. Substitua as peças danificadas.
- Verifique se todas as proteções e coberturas estão completas e corretamente encaixadas. Examine todas as porcas e todos os parafusos.
- Se possuir um produto alimentado a gasolina, certifique-se de que não existem fugas de combustível.
- Verifique se os tambores da escova estão intactos e se não têm fendas ou estão danificados de outra forma.

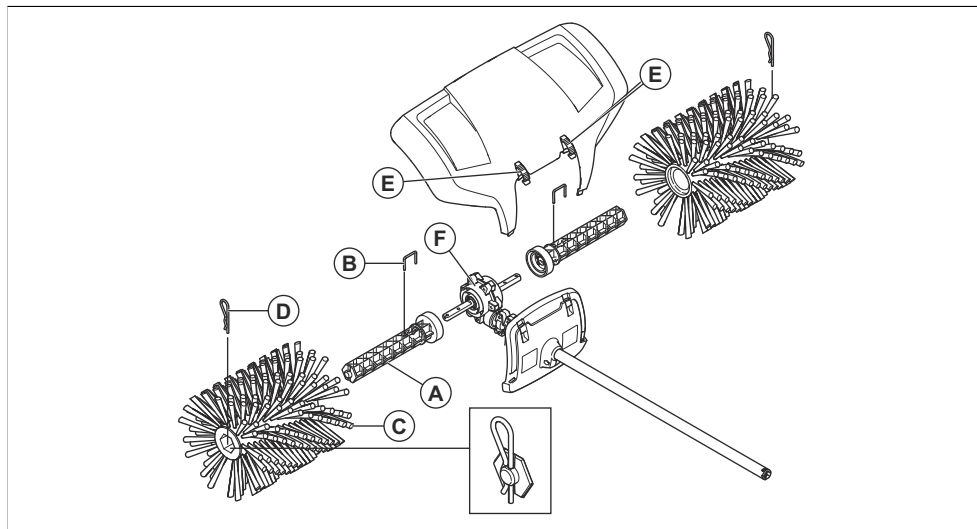


---

## Montagem

---

### Montar o acessório



1. Pressione um dos eixos do tambor (A) num dos dois eixos motrizes de saída da caixa de engrenagem (F). Se necessário, rode o eixo do tambor para que o orifício do pino fique alinhado com o orifício correspondente no eixo motriz.
2. Aperte o eixo do rolo com um pino de bloqueio (B).
3. Coloque um dos rolos da escova (C) no eixo montado. Prima o rolo até este parar.
4. Prenda o rolo ao eixo com um pino ranhurado (D). Pressione ligeiramente a extremidade durante a montagem.

5. Repita estes passos para montar o eixo e o rolo no lado oposto.
6. Monte o resguardo com os fixadores (E).

---

**Nota:** Para montar acessórios num produto básico, consulte o manual do produto básico.

---

---

## Funcionamento

---

### Utilizar o acessório

1. Acione o produto em velocidade/aceleração máxima (ou quase) com a escova apoiada na superfície.

---

**Nota:** Torna-se cansativo e desnecessário levantar e manter a escova acima da superfície durante a sua utilização.

---



2. Durante a limpeza de superfícies estreitas, tais como caminhos, o produto pode ser utilizado para arremessar materiais à sua frente. Se pretender trabalhar em superfícies mais largas, poderão formar-se fileiras num dos lados ao trabalhar num determinado ângulo. As fileiras compostas por materiais leves podem ser reunidas numa fila ou pilha para posterior remoção, ao passo que os materiais rígidos ou mais volumosos terão de ser reunidos em várias fileiras.



3. Para poder limpar os cantos, remova a proteção contra salpicos, desaperte o acoplamento do acessório e rode o acessório meia volta.



**ATENÇÃO:** Desta forma, o lixo será projectado contra o condutor. Realize a marcha-atrás com o produto a uma velocidade de rotação inferior e lembre-se de que pode tropeçar facilmente.

4. Mantenha um ângulo de trabalho reduzido relativamente à superfície. Um ângulo de trabalho demasiado grande indica que o varredor se encaminha tendencialmente na sua direção e arrisca-se a perder o controlo da máquina.



## Manutenção

### Introdução

Seguem abaixo algumas instruções gerais de manutenção. Se necessitar de maiores informações, consulte uma oficina autorizada.

### Efetuar a manutenção do acessório



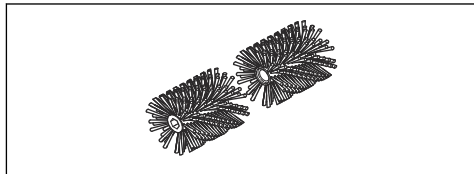
**CUIDADO:** O acessório funciona em condições de sujidade. Se tiver um produto alimentado a gasolina, é muito importante realizar a manutenção regular do filtro de ar. O filtro de ar tem de ser lubrificado com óleo para funcionar de forma satisfatória. Consulte o manual do operador da unidade de potência para obter instruções relativas à manutenção.



**ATENÇÃO:** A caixa de engrenagem aquece durante a utilização do produto.

Não tocar na engrenagem para evitar queimaduras.

1. Verifique se os tambores da escova não rodam quando o interruptor de alimentação/aceleração é libertado.



2. Verifique os tambores da escova quanto a danos e fendas. Se necessário, substitua os tambores da escova.
3. Pendure a escova se a deixar guardada durante longos períodos de tempo.

## Transporte, armazenamento e eliminação

### Transporte e armazenagem

Se transportar o acessório noutra veículo, utilize sempre dispositivos de fixação aprovados e certifique-se de que o acessório está bem seguro.

Certifique-se de que o acessório foi limpo e submetido a uma revisão completa antes de ser armazenado por um período de tempo prolongado.

## Especificações técnicas

### Especificações técnicas para produtos alimentados a gasolina

|   |              |
|---|--------------|
| <b>Escova dura</b>  | <b>BR600</b> |
| Largura do tambor da escova, mm   | 597          |
| Diâmetro do tambor da escova, mm  | 270          |
| <b>Peso</b>   |              |
| Peso, kg  | 5,3          |
| <b>Emissões de ruído</b> <sup>97</sup>  |              |
| Nível de potência sonora, dB(A) medidos   | 106          |
| Nível de potência sonora, garantido L <sub>WA</sub> dB (A)  | 110          |
| <b>Níveis acústicos</b> <sup>98</sup>   |              |
| Nível de pressão sonora equivalente ao nível do ouvido do operador, medido de acordo com a norma EN ISO 22868, dB(A):       | 94           |
| <b>Vibrações</b> <sup>99</sup>  |              |
| Níveis de vibração equivalentes (a <sub>hv,eq</sub> ) nos punhos, medidos de acordo com a norma ISO 22867, m/s <sup>2</sup> |              |
| Punhos dianteiros/traseiros   | 3,7/6,2      |

### Especificações técnicas para produtos alimentados a bateria

|  |     |
|--|-----|
| <b>325ILK + Acessório de escova dura BR600</b> |     |
| Largura do tambor da escova, mm                | 597 |
| Diâmetro do tambor da escova, mm               | 270 |

<sup>97</sup> Emissões de ruído para as imediações, medidas sob forma de potência sonora (L<sub>WA</sub>) em conformidade com a diretiva da CE 2000/14/CE. O nível de potência sonora registado para a máquina foi medido com o equipamento de corte original que debita o nível mais alto. A diferença entre a potência sonora garantida e medida é que a potência sonora garantida inclui também a dispersão no resultado da medição e as variações entre diferentes máquinas do mesmo modelo, de acordo com a diretiva 2000/14/CE.

<sup>98</sup> Os dados registados para o nível de pressão sonora equivalente para a máquina têm uma dispersão estatística típica (desvio padrão) de 1 dB (A).

<sup>99</sup> Os dados comunicados relativamente ao nível de vibração equivalente têm uma dispersão estatística típica (desvio padrão) de 1 m/s<sup>2</sup>.

|   |           |
|---|-----------|
| <b>325iLK + Acessório de escova dura BR600</b>  |           |
| <b>Peso</b>   |           |
| Peso, kg  | 2,3 + 5,3 |
| <b>Emissões de ruído</b> <sup>100</sup>   |           |
| Nível de potência sonora, dB(A) medidos   | 90        |
| <b>Níveis acústicos</b> <sup>101</sup>  |           |
| Nível de pressão sonora, ao nível do ouvido do utilizador, medido de acordo com a norma ISO 22868, dB(A): | 80        |
| <b>Vibrações</b> <sup>102</sup>   |           |
| Níveis de vibração nos punhos, medidos de acordo com a norma EN 62841-1, m/s <sup>2</sup>                 |           |
| Equipado com acessório aprovado (original), esquerda/direita  | 3,3/3,1   |

<sup>100</sup> Os dados comunicados relativamente ao nível de potência sonora para a máquina têm uma dispersão estatística típica (desvio padrão) de 3 dB(A) e foram medidos com o acessório original que debita o nível mais alto.

<sup>101</sup> Os dados comunicados relativamente ao nível de pressão sonora para a máquina têm uma dispersão estatística típica (desvio padrão) de 3 dB(A) e foram medidos com o acessório original que debita o nível mais alto.

<sup>102</sup> Os dados comunicados relativamente ao nível de vibração têm uma dispersão estatística típica (desvio padrão) de 2 m/s<sup>2</sup>. Para comparar os níveis de vibrações de produtos a bateria e de combustão, utilize a calculadora de vibrações. <https://www.husqvarna.com/uk/services-solutions/vibration-calculator/>.

## Declaração de conformidade

### Declaração UE de conformidade

A **Husqvarna AB**, SE-561 82 Huskvarna, Suécia,  
tel.: +46-36-146500, declara, sob sua inteira  
responsabilidade, que o produto:

|                      |  |
|----------------------|--|
| <b>Descrição</b>     | Acessório de cerdas                              |
| <b>Marca</b>         | Husqvarna  |
| <b>Tipo / Modelo</b> | BR600  |
| <b>Identificação</b> | Números de série referentes a 2022 e posteriores |

está em plena conformidade com as seguintes diretivas  
e regulamentos da UE:

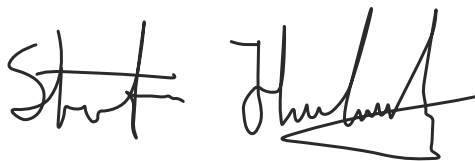
| <b>Diretiva / Regula-<br/>mento</b> | <b>Descrição</b>   |
|-------------------------------------|--|
| 2006/42/CE                          | "relativa a máquinas"  |
| 2000/14/CE                          | "relativa a emissões de ruído para o ambiente"   |
| 2011/65/UE                          | "relativa à restrição do uso de determinadas substâncias perigosas em equipamento elétrico e eletrônico" |

e que as seguintes normas e/ou especificações técnicas  
são aplicadas: EN ISO 12100:2010, EN IEC 63000:2018

A RISE SMP Svenska Maskinprovning AB, Box 7035,  
SE-750 07 Uppsala, Sweden efetuou o exame de tipo  
voluntário em nome da Husqvarna AB.

Número do certificado: SEC/15/2412

Huskvarna, 2022-03-29



Stefan Holmberg, diretor de I&D, gestão de tecnologia,  
Husqvarna AB

Responsável pela documentação técnica



# CUPRINS

|                   |     |   |     |
|-------------------|-----|---|-----|
| Introducere.....  | 165 | Întreținerea.....                           | 171 |
| Siguranță.....    | 166 | Transportul, depozitarea și eliminarea..... | 171 |
| Asamblarea.....   | 169 | Date tehnice.....                           | 171 |
| Funcționarea..... | 170 | Declarație de conformitate.....             | 173 |

## Introducere

### Descrierea produsului

Avem o politică de îmbunătățire continuă a produselor și, prin urmare, ne rezervăm dreptul de a modifica proiectul și aspectul produselor fără preaviz.

**Nota:** Acest manual acoperă atât sursele de alimentare care funcționează cu benzină, cât și cele care funcționează cu baterie.

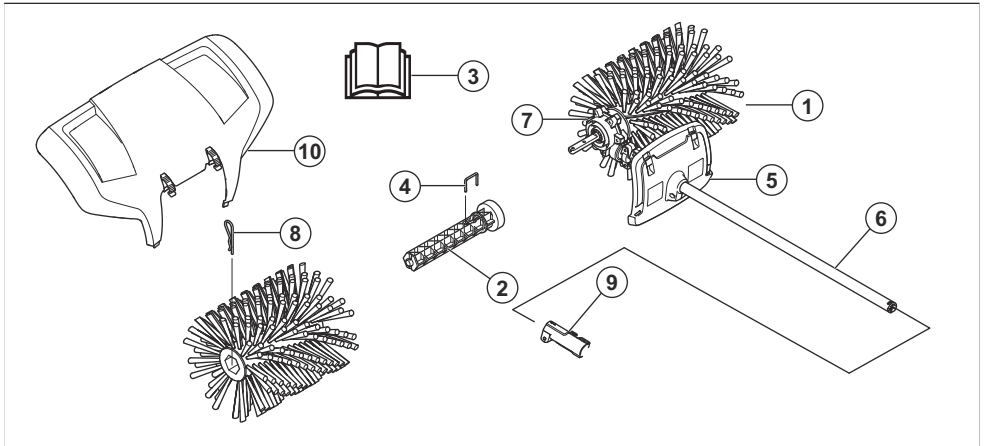
### Domeniul de utilizare



**AVERTISMENT:** Acest accesoriu poate fi utilizat numai împreună cu produsul pentru care a fost conceput, consultați capitolul despre accesoriu din Manualul operatorului pentru produs.

Accesoriul este conceput numai pentru măturarea aleilor, a drumurilor asfaltate și a altor căi asemănătoare.

### Prezentare generală a accesoriilor



1. Tambur de periere
2. Ax pentru tambur
3. Manualul operatorului
4. Siguranță
5. Apărătoare (Protecție pe arbore)
6. Arbore
7. Carcasă angrenaj
8. Șplint
9. Cuplaj arbore (inclus cu produsul)
10. Apărătoare de noroi

### Simbolurile de pe accesoriu și de pe sursa de alimentare



Utilizarea neatentă sau incorectă a acestui accesoriu poate cauza vătămări corporale grave sau mortale operatorului sau altor persoane.



Citiți cu atenție manualul operatorului și asigurați-vă că înțelegeți instrucțiunile înainte de a utiliza accesoriul.





Utilizați un sistem omologat de protecție a auzului. Utilizați ochelari de protecție omologați. Utilizați o mască de protecție când există pericolul de generare a prafului.



Acest accesoriu este conform cu directivele UE aplicabile.



Acest produs respectă reglementările aplicabile din Regatul Unit.



Piese rotative. Feriți mâinile și picioarele. Săgeata indică direcția de rotație.



Purtați întotdeauna mănuși de protecție omologate.



Purtați ghete solide, cu talpă antiaderentă.



Feriți-vă de obiectele proiectate sau care ricoșează.



Operatorul trebuie să se asigure ca niciun om sau animal nu se apropie la mai puțin de 15 m. Dacă mai mulți operatori lucrează în același loc, trebuie să fie pusă în aplicare o distanță de siguranță de cel puțin 15 m. Accesoriul poate azvârli cu forță obiecte care pot ricoșa înapoi. Dacă nu se utilizează echipamentul de siguranță recomandat, acest lucru poate duce la vătămări oculare grave.



Păstrați o distanță de minimum 15 m/50 ft față de persoane și animale în timpul utilizării produsului.



Feriți-vă toate părțile corpului de suprafețele fierbinți.



Etichetă privind emisiile de zgomot în mediu, conform directivelor și reglementărilor din UE și Regatul Unit și legislației din New South Wales „Regulamentul privind măsurile de protecție a mediului (controlul zgomotului) din 2017”. Nivelul de putere sonoră garantat al produsului este specificat în *Date tehnice la pagina 171* și pe etichetă.

**Nota:** Alte simboluri/etichete de pe accesoriu se referă la cerințe de certificare specifice pentru anumite piese.

## Siguranță

### Definiții privind siguranța

Avertizările, atenționările și notele sunt utilizate pentru a desemna părți foarte importante din manualul operatorului.



**AVERTISMENT:** Se utilizează dacă există risc de vătămare sau de deces pentru operator sau pentru trecători, în cazul în care instrucțiunile din manual nu sunt respectate.



**ATENȚIE:** Se utilizează dacă există un risc de deteriorare a produsului și/sau a accesoriului, a altor materiale sau a zonelor învecinate, dacă instrucțiunile din manual nu sunt respectate.

**Nota:** Se utilizează pentru a furniza mai multe informații care sunt necesare într-o situație dată.

## Instrucțiuni generale de siguranță



**AVERTISMENT:** Înainte de a utiliza accesoriul, citiți instrucțiunile de siguranță de mai jos.

- Vă rugăm să citiți cu atenție manualul operatorului și să vă asigurați că înțelegeți instrucțiunile înainte de a utiliza accesoriul.
- Aceste instrucțiuni completează instrucțiunile furnizate împreună cu produsul. Pentru alte proceduri, consultați instrucțiunile de utilizare ale produsului.
- Nu modificați sub nicio formă proiectul accesoriului fără permisiunea producătorului. Nu folosiți un accesoriu care pare să fi fost modificat de alte persoane și utilizați întotdeauna accesoriile originale. Modificările și/sau accesoriile neautorizate pot avea drept rezultat vătămări corporale grave sau decesul operatorului sau al altor persoane.

## Citiți toate instrucțiunile



**AVERTISMENT:** Când utilizați motouneltele pentru grădină, trebuie să respectați întotdeauna măsurile de protecție elementare pentru a reduce riscul de producere a incendiilor, de electrocutare și vătămări corporale, inclusiv următoarele:

## Instrucțiuni de siguranță pentru utilizare



**AVERTISMENT:** Înainte de a utiliza produsul, citiți instrucțiunile de avertizare de mai jos.

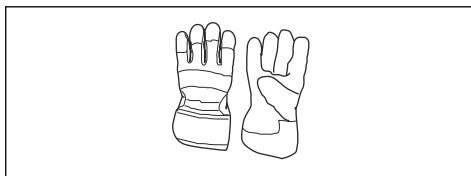
- Asigurați-vă că preveniți pornirea neintenționată la asamblare, verificare și/sau efectuare a întreținerii. Dacă aveți un produs care funcționează cu benzină, scoateți pipa bujiei din bujie. Dacă aveți un produs care funcționează cu baterie, scoateți bateria.
- Uneori iarba și pietrele pot fi prinse în dinți. Opriti întotdeauna motorul când curățați.
- Fiți atenți la obiectele azvârlite. Purtați întotdeauna ochelari de protecție. Nu vă aplecați peste tamburul periei. Pietrele, gunoiul etc. pot fi azvârlite în ochi, cauzând orbire sau vătămare gravă.
- Angrenajul se poate înfierbânta în timpul utilizării și poate rămâne fierbinte câțva timp după aceea. Dacă îl atingeți, vă poate provoca arsuri.
- Țineți produsul bine atunci când îl porniți.
- Deși tamburii periei nu au aceeași forță ca și lamele mașinii de tuns iarba, de exemplu, trebuie să evitați să lucrați cu materiale care pot cauza răni grave sau pagube materiale, dacă sunt proiectate.
- Nu utilizați produsul decât în situații în care puteți solicita ajutor în eventualitatea unui accident.

- Utilizați produsul numai în scopul pentru care acesta au fost conceput.
- Nu utilizați niciodată acest produs dacă sunteți obosit, dacă ați consumat alcool sau dacă luați medicamente care v-ar putea afecta vederea, judecata sau coordonarea.
- Nu utilizați niciodată produsul în condiții meteorologice extreme, precum climate cu temperaturi extrem de scăzute, foarte ridicate și/sau climate umede.
- Nu utilizați niciodată un produs care este defect. Efectuați verificările de siguranță, operațiile de întreținere și de service descrise în acest manual. Anumite operații de întreținere și de service trebuie efectuate de specialiști instruiți și calificați. Consultați instrucțiunile din subcapitolul **Întreținerea**.
- Nu permiteți niciodată copiilor să folosească acest produs.
- Nu permiteți nimănui să folosească produsul înainte de a vă asigura că a înțeles conținutul manualului operatorului.
- Nu permiteți persoanelor neautorizate să se apropie. Copiii, animalele, spectorii sau persoanele care vă ajută trebuie ținute în afara zonei de siguranță de 15 m în timp ce lucrați. Opriti produsul imediat dacă se apropie cineva.
- Dacă întâlniți o situație în care nu știți sigur cum să procedați, trebuie să întrebați un specialist. Contactați distribuitorul sau atelierul de service.
- Evitați utilizările care, în opinia dvs., vă depășesc abilitățile.
- Respectați mediul înconjurător și asigurați-vă că nu există riscul ca altele persoane sau animale să vină în contact cu produsul sau să vă afecteze capacitatea de a-l controla.
- Ascultați semnalele de avertisment sau strigătele când purtați echipament pentru protecția auzului. Îndepărtați echipamentul pentru protecția auzului imediat ce se operește motorul.
- Nu utilizați produsul pe vreme nefavorabilă, precum ceață deasă, ploaie torențială, vânt puternic, frig intens etc. Lucrul pe vreme nefavorabilă este obositor și generează adesea riscuri adăugate, precum teren alunecos.
- Asigurați-vă că vă puteți deplasa și sta în picioare în siguranță.



- Produsul trebuie oprit înainte de deplasare.

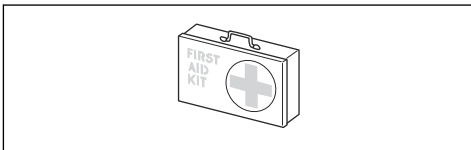
- Nu lăsați produsul jos cu motorul pornit decât dacă aveți o bună vizibilitate asupra acestuia.
- Utilizați întotdeauna ambele mâini pentru a ține produsul. Țineți produsul pe lângă corp.
- Asigurați-vă că mâinile și picioarele nu se apropie de perie atunci când motorul este pornit.
- Atunci când motorul este oprit, țineți mâinile și picioarele la distanță de perie, până când aceasta se oprește complet.
- Dacă apar vibrații puternice, opriți produsul. Dacă aveți un produs care funcționează cu benzină, deconectați cablul de înaltă tensiune de la bujie. Dacă aveți un produs care funcționează cu baterie, scoateți bateria. Asigurați-vă că produsul nu este deteriorat. Remediați orice defecțiuni.



- Utilizați cizme de protecție cu bombeuri din oțel și tălpi antiderapante.



- Purtați haine din țesături rezistente. Purtați întotdeauna pantaloni lungi, din material gros, și îmbrăcăminte cu mâneci lungi. Nu purtați haine largi, care se pot prinde în smicele și ramuri. Nu purtați bijuterii, șorț, sandale și nu lucrați în picioarele goale. Strângeți-vă părul în siguranță, deasupra nivelului umărului.
- Păstrați la îndemână echipament de prim ajutor.



### Dispozitivele de siguranță de pe accesorii



**AVERTISMENT:** Înainte de a utiliza accesoriul, citiți instrucțiunile de avertizare de mai jos.

În această secțiune sunt cuprinse caracteristicile de siguranță ale accesoriului, scopul său și modul în care trebuie efectuate verificările și întreținerea pentru a asigura funcționarea corectă. A se vedea instrucțiunile din capitolul *Prezentare generală a accesoriilor la pagina 165* pentru a găsi unde sunt amplasate aceste piese pe accesoriul dvs.

Durata de viață a accesoriului se poate reduce, iar pericolul de accidente se poate mări dacă întreținerea accesoriului nu este efectuată corect, iar reglarea și/sau reparațiile nu sunt executate în mod profesional. Dacă aveți nevoie de informații suplimentare, contactați cel mai apropiat furnizor de service.



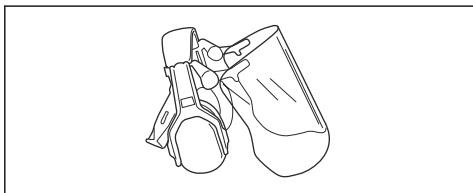
**AVERTISMENT:** Nu utilizați niciodată un accesoriu cu componente de siguranță deteriorate. Echipamentul de siguranță al accesoriului trebuie inspectat

### Echipament de protecție personală

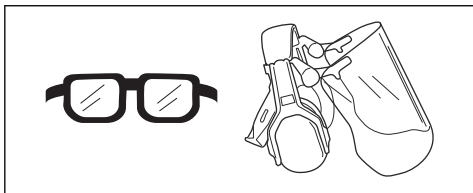


**AVERTISMENT:** Înainte de a utiliza produsul, citiți instrucțiunile de avertizare de mai jos.

- Utilizați întotdeauna echipamente de protecție personală atunci când folosiți produsul. Echipamentele de protecție personală nu pot elimina complet riscul de rănire, însă pot reduce gravitatea rănilor în cazul unui accident. Distribuitorul vă poate ajuta să alegeți echipamentul corect.
- Purtați echipament de protecție pentru urechi aprobat pentru utilizare, care asigură reducerea adecvată a zgomotului. Expunerea pe termen lung la zgomot poate avea ca rezultat o afecțiune ireversibilă a auzului.



- Utilizați ochelari de protecție omologați. Dacă utilizați un vizor de protecție, trebuie să purtați și ochelari de protecție. Ochelarii de protecție trebuie să fie compatibili cu standardul ANSI Z87.1 în S.U.A. sau EN 166 în țările UE.



- Purtați mănuși atunci când este necesar, de exemplu atunci când conectați, inspectați sau curățați echipamentul de tăiere.



și întreținut conform indicațiilor din acest capitol. Dacă accesoriul nu trece oricare dintre următoarele verificări, contactați agentul de service pentru reparații.



**AVERTISMENT:** Toate operațiunile de service și de reparații asupra produsului necesită instruire specială. Acest lucru se aplică în special cu privire la echipamentele de siguranță ale produsului. În cazul în care produsul dvs. nu are rezultat pozitiv la oricare dintre verificările descrise mai jos, trebuie să contactați agentul de service local. Atunci când achiziționați oricare dintre produsele noastre, garantăm disponibilitatea reparațiilor și service-ului profesionist. Dacă distribuitorul care comercializează produsul nu este dealer de service, solicitați-i adresa celui mai apropiat agent de service.

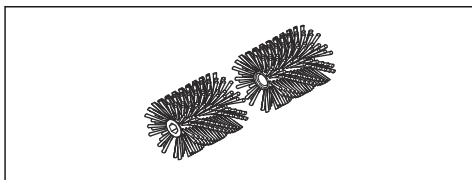
## Instrucțiuni de siguranță pentru întreținere



**AVERTISMENT:** Oprți întotdeauna produsul înainte de a efectua orice operațiune de întreținere ale accesoriului

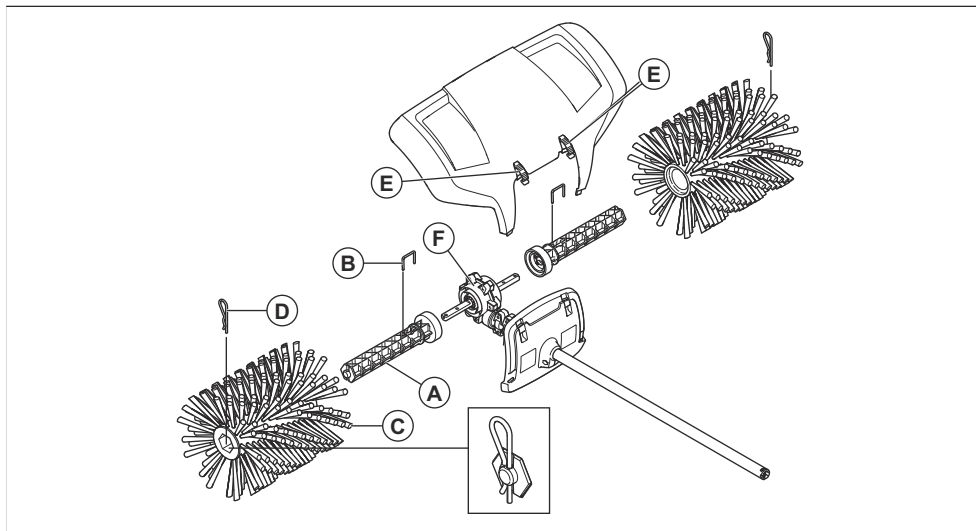
de tăiere. Aveți grijă, accesoriul se poate mișca și după eliberarea accelerației/întreprătorului. Asigurați-vă că accesoriul s-a oprit complet. Dacă aveți un produs care funcționează cu benzină, deconectați cablurile de înaltă tensiune de la bujie. Dacă aveți un produs care funcționează cu baterie, scoateți bateria.

- Verificați întreg produsul înainte de a începe să lucrați. Înlocuiți componentele deteriorate.
- Verificați dacă toate apărătorile și capacele sunt complete și atașate corect. Examinați toate șuruburile și toate piulițele.
- Dacă aveți un produs care funcționează cu benzină, asigurați-vă că nu există scurgeri de carburant.
- Verificați dacă tamburii periei nu sunt deteriorați și nu prezintă semne de fisuri sau alte daune.



## Asamblarea

### Asamblarea accesoriului



1. Apăsaiți unul dintre axurile tamburului (A) pe unul dintre cei doi arbori conducători de ieșire din carcasa angrenajului (F). Rotiți axul tamburului, dacă este necesar, astfel încât orificiul pentru știft să se afle deasupra orificiului corespunzător din arborele conducători.
2. Fixați arborele rolei cu știftul de blocare (B).
3. Puneți una dintre rolele periei (C) pe arborele asamblat. Apăsaiți rola înăuntru până când se oprește.
4. Fixați rola pe arbore cu un știft cu cap și gaură (D). Atunci când montați apăsați ușor capătul înăuntru.
5. Repetați acești pași pentru a monta puntea și rola pe partea opusă.
6. Montați apărătoarea de noroi cu ajutorul capselor (E).

**Nota:** Pentru asamblarea accesoriilor pe un produs de bază, consultați manualul produsului respectiv.

## Funcționarea

### Utilizarea accesoriului

1. Operați produsul la accelerație/viteză maximă (sau aproape maximă) cu peria sprijinită pe suprafață.

**Nota:** Este obositor și inutil să ridicați sau să mențineți peria deasupra suprafeței, atunci când lucrați.

2. Atunci când curățați suprafețe înguste, precum alei, produsul poate fi utilizat astfel încât să proiecteze materialele înainte. Dacă doriți să lucrați pe suprafețe mai largi, trebuie să lucrați în unghi, astfel încât materialele să fie degajate în șiruri laterale. Șirurile care conțin materiale ușoare pot fi colectate într-un rând sau la un loc pentru îndepărtare ulterioară, în timp ce materialele dure sau mai voluminoase pot necesita colectarea în mai multe șiruri.



3. Pentru a ajunge în colțuri, scoateți apărătoarea de noroi, slăbiți cuplajul accesoriului și rotiți accesoriului jumătate de rotație.



**AVERTISMENT:** Apoi resturile vor fi aruncate înapoi spre utilizator. Utilizați o viteză mai mică atunci când vă deplasați cu spatele și rețineți că vă puteți împiedica ușor.

4. Mențineți un unghi mic de lucru față de suprafață. Un unghi de lucru prea mare înseamnă că peria tinde să se deplaseze spre dvs. și riscați să pierdeți controlul produsului.



# Întreținerea

## Introducere

Mai jos veți găsi câteva instrucțiuni generale de întreținere. Dacă aveți nevoie de informații ulterioare, vă rugăm contactați atelierul de service.

## Întreținerea produsului



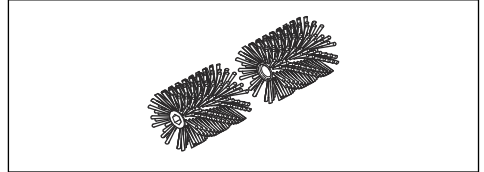
**ATENȚIE:** Accesorii funcționează în condiții de murdărie. Dacă aveți un produs care funcționează cu benzină, este foarte important să efectuați regulat întreținerea filtrului de aer. Filtrul de aer trebuie să fie uns cu ulei pentru a funcționa satisfăcător. Pentru instrucțiuni de întreținere, consultați manualul de utilizare al unității de alimentare.



**AVERTISMENT:** Carcasa angrenajului devine fierbinte după utilizarea

produsului. Pentru a evita să vă ardeți nu atingeți carcasa angrenajului.

1. Verificați ca tamburii periei să nu se miște când este eliberată accelerația/intrerupătorul.



2. Verificați ca tamburii periei să nu fie deteriorați sau fisurați. Înlocuiți tamburii periei, dacă este necesar.
3. Suspendați peria, atunci când o depozitați pe perioade lungi.

## Transportul, depozitarea și eliminarea

### Transport și depozitare

Dacă transportați accesoriul pe un alt vehicul, utilizați întotdeauna dispozitive de fixare aprobate și asigurați-vă că acesta este fixat bine.

Înainte de depozitarea pe termen lung, asigurați-vă că accesoriul este curat și că i s-a efectuat un service complet.

## Date tehnice

### Date tehnice pentru produse care funcționează cu benzină

| Perie cu țepi  | BR600 |
|--|-------|
| Lățime tambur perie, mm                                  | 597   |
| Diametru tambur perie, mm                                | 270   |
| <b>Greutate</b>  |       |
| Greutate, kg   | 5,3   |
| <b>Emisii de zgomot<sup>103</sup></b>                    |       |
| Nivel de putere acustică, măsurat în dB(A)               | 106   |
| Nivel de putere acustică garantat L <sub>WA</sub> dB (A) | 110   |

<sup>103</sup> Emisiile de zgomot în mediu măsurate ca putere acustică (L<sub>WA</sub>) în conformitate cu directiva CE 2000/14/CE. Nivelul de putere a sunetului raportat pentru aparat a fost măsurat cu accesoriul original de tăiere care emite cel mai ridicat nivel. Diferența dintre puterea garantată a sunetului și cea măsurată este aceea că puterea garantată a sunetului include, de asemenea, dispersia în rezultatul de măsurare și variațiile dintre diferitele aparate ale aceluiași model conform Directivei 2000/14/CE.

|  |              |
|--|--------------|
| <b>Perie cu țepi</b>   | <b>BR600</b> |
| <b>Niveluri de zgomot</b> <sup>104</sup>   |              |
| Nivel de presiune a zgomotului echivalent pentru urechile operatorului, măsurat conform EN ISO 22868, dB(A): | 94           |
| <b>Vibrații</b> <sup>105</sup>   |              |
| Nivelele echivalente de vibrații ( $a_{hv,eq}$ ) la mână, măsurate în conformitate cu ISO 22867, $m/s^2$     |              |
| Mânere față/spate  | 3,7/6,2      |

## Date tehnice pentru produse care funcționează cu baterie

|  |         |
|--|---------|
| <b>325iLK+ Accesoriu de perie cu țepi BR600</b>  |         |
| Lățime tambur perie, mm  | 597     |
| Diametru tambur perie, mm  | 270     |
| <b>Greutate</b>  |         |
| Greutate, kg   | 2,3+5,3 |
| <b>Emisii de zgomot</b> <sup>106</sup>   |         |
| Nivel de putere acustică, măsurat în dB(A)   | 90      |
| <b>Niveluri de zgomot</b> <sup>107</sup>   |         |
| Nivel de presiune a zgomotului pentru urechile operatorului, măsurat conform ISO 22868, dB(A): | 80      |
| <b>Vibrații</b> <sup>108</sup>   |         |
| Nivelurile de vibrații la mână, măsurate în conformitate cu EN 62841-1, $m/s^2$                |         |
| Dotat cu accesoriu omologat (original), stânga/dreapta   | 3,3/3,1 |

<sup>104</sup> Datele raportate pentru nivelul echivalent de presiune a sunetului pentru dispozitiv includ o dispersie statistică tipică (deviere standard) de 1 dB (A).

<sup>105</sup> Datele raportate pentru nivelul echivalent de vibrații includ o dispersie statistică tipică (abatere standard) de 1  $m/s^2$ .

<sup>106</sup> Datele raportate pentru nivelul de putere acustică pentru utilaj au o dispersie statistică tipică (deviație standard) de 3 dB (A) și au fost măsurate cu accesoriul original care oferă cel mai înalt nivel.

<sup>107</sup> Datele raportate pentru nivelul de presiune a zgomotului pentru utilaj au o dispersie statistică tipică (deviație standard) de 3 dB (A) și au fost măsurate cu accesoriul original care oferă cel mai înalt nivel.

<sup>108</sup> Datele raportate pentru nivelul de vibrații prezintă o dispersie statistică tipică (abatere standard) de 2  $m/s^2$ . Pentru compararea nivelurilor de vibrații dintre produsele cu baterie și cele cu benzină folosiți calculatorul de vibrații. <https://www.husqvarna.com/uk/services-solutions/vibration-calculator/>.

## Declarație de conformitate

### Declarație de conformitate UE

Noi, **Husqvarna AB**, SE-561 82 Huskvarna, Suedia, tel.:  
+46-36-146500, declarăm pe propria răspundere, că  
produsul:

|                     |                                    |
|---------------------|------------------------------------|
| <b>Descriere</b>    | Accesoriu cu peri                  |
| <b>Marcă</b>        | Husqvarna                          |
| <b>Tip/Model</b>    | BR600                              |
| <b>Identificare</b> | Numerele de serie începând cu 2022 |

respectă în totalitate următoarele directive și  
reglementări UE:

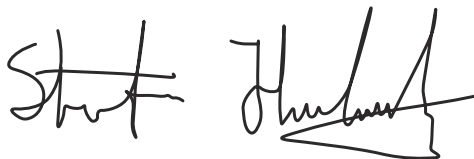
| <b>Directivă/Reglemen-<br/>tare</b> | <b>Descriere</b>   |
|-------------------------------------|--|
| 2006/42/CE                          | „privind echipamentele tehnice”  |
| 2000/14/CE                          | „privind emisiile de zgomot în mediul înconjurător”  |
| 2011/65/UE                          | „privind restricțiile de utilizare a anumitor substanțe periculoase în echipamentele electrice și electronice” |

și că au fost aplicate următoarele standarde și/sau  
specificații tehnice: EN ISO 12100:2010, EN IEC  
63000:2018

RISE SMP Svenska Maskinprovning AB, Box 7035,  
SE-750 07 Uppsala, Sweden a efectuat examinarea  
voluntară de tip în numele Husqvarna AB.

Număr certificat: SEC/15/2412

Huskvarna, 2022-03-29



Stefan Holmberg, Director de cercetare și dezvoltare,  
Departamentul de gestionare a tehnologiei, Husqvarna  
AB

Responsabil pentru documentația tehnică



## Содержание

|                   |     |   |     |
|-------------------|-----|---|-----|
| Введение.....     | 174 | Техническое обслуживание.....               | 180 |
| Безопасность..... | 175 | Транспортировка, хранение и утилизация..... | 181 |
| Сборка.....       | 179 | Технические данные.....                     | 181 |
| Эксплуатация..... | 179 | Декларация соответствия.....                | 183 |

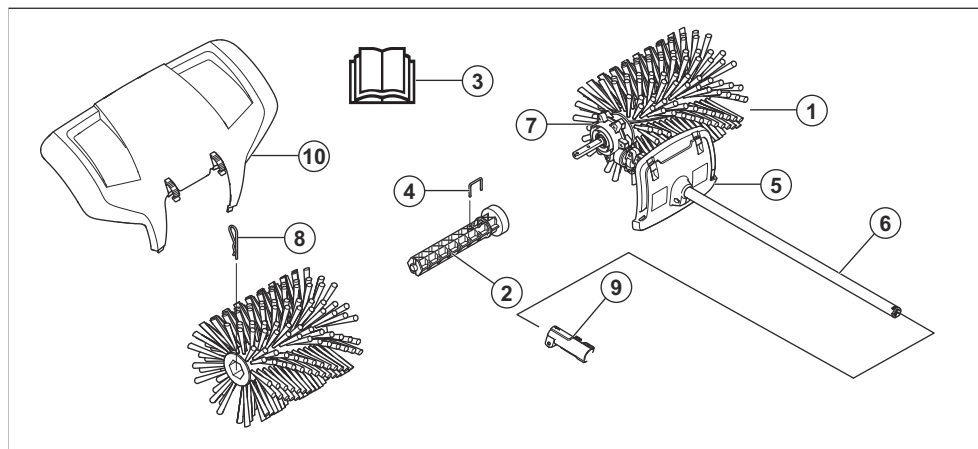
## Введение

### Описание изделия

Мы постоянно работаем над усовершенствованием и развитием своей продукции и поэтому оставляем за собой право на внесение изменений в конструкцию и внешний вид без предварительного предупреждения.

**Примечание:** Данное руководство распространяется как на бензиновые, так и на аккумуляторные блоки питания.

### Обзор оборудования



1. Барабан со щеткой
2. Ось барабана
3. Руководство по эксплуатации
4. Стопорный штифт
5. Щиток (защита на штанге)
6. Штанга
7. Картер редуктора
8. Шплинт
9. Муфта штанги (входит в комплект поставки изделия)
10. Брызговик

### Назначение



**ПРЕДУПРЕЖДЕНИЕ:** Данное оборудование можно использовать только вместе с соответствующим изделием, см. главу "Принадлежности" в руководстве по эксплуатации изделия.

Данное оборудование предназначено только для подметания дорожек, асфальтированных улиц и т. д.

### Условные обозначения на оборудовании и блоке питания



Небрежная или неправильная эксплуатация данного оборудования может привести к тяжелой или смертельной травме пользователя или других лиц.



Перед началом работы с оборудованием внимательно прочитайте руководство по эксплуатации и убедитесь, что понимаете приведенные инструкции.



Используйте одобренные средства защиты органов слуха. Используйте одобренные средства защиты глаз. При работе в условиях, которые могут привести к появлению пыли, используйте респиратор.



Данное оборудование отвечает требованиям соответствующих директив ЕС.



Данное изделие соответствует действующим директивам Великобритании.



Вращающиеся части. Держите руки и ноги на безопасном расстоянии. Стрелка указывает направление вращения.



Всегда пользуйтесь рекомендованными защитными перчатками.



Надевайте прочные ботинки с нескользящей подошвой.



Берегитесь отлетающих предметов и рикошетов.



Пользователь должен следить за тем, чтобы во время работы в радиусе 15 м от изделия не было людей и животных. Если на одном участке работают несколько человек, необходимо обеспечить между ними безопасное расстояние не менее 15 м. Во время работы оборудование может случайно отбрасывать предметы, которые могут отскочить обратно. Это может привести к серьезным повреждениям глаз, если не использовать рекомендованные средства защиты.



Посторонние лица и животные должны находиться на расстоянии не менее 15 м от работающего изделия.



Держите все части тела на безопасном расстоянии от нагретых поверхностей изделия.



Табличка с уровнем эмиссии шума в окружающую среду в соответствии с директивами и нормативами Европейского союза, Великобританией и законодательством Нового Южного Уэльса "Регламент 2017 года по защите окружающей среды (контроль уровня шума)". Гарантированный уровень мощности звука изделия указан в разделе *Технические данные на стр. 181* и на табличке.

**Примечание:** Другие символы/наклейки на оборудовании нанесены согласно специальным требованиям к сертификации, которые действуют в определенных странах.

## Безопасность

### Инструкции по технике безопасности

Предупреждения, предостережения и примечания используются для выделения особо важных пунктов руководства по эксплуатации.



#### **ПРЕДУПРЕЖДЕНИЕ:**

Используется, когда несоблюдение инструкций руководства может привести к травмам или смерти оператора или находящихся рядом посторонних лиц.



**ВНИМАНИЕ:** Используется, когда несоблюдение инструкций руководства может привести к повреждению изделия и/или принадлежности, других материалов или прилегающей территории.

**Примечание:** Используется для предоставления дополнительных сведений о конкретной ситуации.

## Общие инструкции по технике безопасности



**ПРЕДУПРЕЖДЕНИЕ:** Прежде чем приступать к эксплуатации оборудования, обязательно прочитайте следующие инструкции по технике безопасности.

- Перед началом работы с оборудованием внимательно прочитайте руководство по эксплуатации и убедитесь, что понимаете приведенные здесь инструкции.
- Эти инструкции дополняют инструкции, поставляемые с самим изделием. В отношении прочих операций см. инструкцию по эксплуатации изделия.
- Ни при каких обстоятельствах не допускается внесение изменений в первоначальную конструкцию оборудования без разрешения производителя. Запрещается использовать оборудование, если существует вероятность, что в его конструкцию внесены изменения другими лицами; всегда используйте оригинальные принадлежности. Внесение неразрешенных изменений и/или использование неразрешенных принадлежностей может привести к тяжелой травме или смерти оператора или других лиц.

## Прочитайте все инструкции



**ПРЕДУПРЕЖДЕНИЕ:** При использовании садовых инструментов с электрическим приводом необходимо всегда следовать основным мерам предосторожности в целях снижения риска возникновения пожара, поражения электрическим током и получения травмы, включая следующие правила:

## Инструкции по технике безопасности во время эксплуатации



**ПРЕДУПРЕЖДЕНИЕ:** В обязательном порядке прочитайте следующие инструкции по технике безопасности, прежде чем приступать к эксплуатации изделия.

- Примите меры по предотвращению самопроизвольного запуска при сборке, проверке и/или выполнении технического обслуживания. Если изделие работает на бензине, снимите колпачок свечи зажигания со свечи зажигания. Если изделие работает от аккумулятора, извлеките аккумулятор.
- Иногда трава и камни могут застрять в зубах. На время очистки обязательно остановите (электро-)двигатель.
- Остерегайтесь отбрасываемых предметов. Всегда носите защитные очки. Запрещается наклоняться над барабаном со щеткой. Камни, мусор и пр. могут попасть в глаза и привести к слепоте или к серьезным травмам.
- Редуктор может нагреться во время работы и оставаться горячим некоторое время. Это создает риск получения ожога при контакте.
- Крепко держите изделие во время запуска.
- Несмотря на то что барабаны со щетками вращаются меньшим усилием, чем, например, ножи газонокосилки, следует избегать материалов, которые при отбрасывании могут стать причиной травмы или повреждения оборудования.
- Запрещено использовать изделие в ситуации, в которой вы не сможете позвать на помощь при несчастном случае.
- Используйте изделие строго по назначению.
- Работа с изделием лиц в состоянии усталости или алкогольного опьянения, а также лиц, принимающих лекарства, воздействующие на зрение, реакцию или координацию, не допускается.
- Запрещается пользоваться изделием при неблагоприятных погодных условиях, таких как сильный холод, жара или влажность.
- Запрещается пользоваться неисправным инструментом. Регулярно проверяйте состояние защитных приспособлений и проводите техобслуживание в соответствии с инструкциями настоящего руководства. Любые операции по ремонту и сервису, прямо не описанные в данном руководстве, выполняются только в мастерской квалифицированными специалистами. См. инструкции в разделе "Техническое обслуживание".
- Ни в коем случае не разрешайте детям пользоваться изделием.
- Ни в коем случае не позволяйте использовать изделие посторонним лицам, не убедившись сначала в том, что они прочитали и поняли содержание руководства по эксплуатации.
- Держите посторонних на расстоянии. Дети, животные, наблюдатели и помощники должны находиться в безопасной зоне на расстоянии 15 м от места выполнения работ. Если кто-нибудь подойдет ближе, немедленно остановите изделие.
- В случае возникновения ситуации, в которой вы почувствуете неуверенность относительно дальнейшей работы с изделием, обратитесь за консультацией к специалисту. Свяжитесь со своим дилером или мастерской по обслуживанию.



- Не пытайтесь решить какую-либо задачу, если считаете, что она находится за пределами ваших возможностей.
- Следите за происходящим вокруг, чтобы посторонние люди или животные не могли оказаться в зоне действия оборудования или повлиять на управление изделием.
- При использовании защитных наушников обращайте внимание на предупреждающие сигналы или крики. Снимайте наушники сразу после остановки (электро-)двигателя.
- Запрещается использовать изделие в плохих погодных условиях, таких как густой туман, сильный дождь, резкий ветер, низкие температуры и т. д. Работа в плохую погоду сильно утомляет и вызывает дополнительный риск, например, от скользкого грунта.
- Убедитесь, что вы можете двигаться и стоять безопасно.



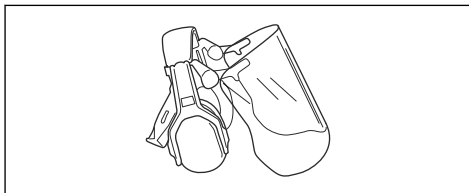
- Перед перемещением изделие необходимо выключить.
- Не опускайте изделие на землю при работающем (электро-)двигателе, за исключением случаев, когда его хорошо видно.
- Всегда держите изделие обеими руками. Держите инструмент сбоку.
- Убедитесь, что при работающем (электро-)двигателе ваши руки и ноги не находятся рядом со щеткой.
- При отключении (электро-)двигателя держите руки и ноги на расстоянии от щетки до ее полной остановки.
- В случае сильной вибрации остановите изделие. Если изделие работает на бензине, отсоедините провод высокого напряжения от свечи зажигания. Если изделие работает от аккумулятора, извлеките аккумулятор. Проверьте изделие на наличие повреждений. При наличии повреждений выполните необходимый ремонт.

## Средства индивидуальной защиты

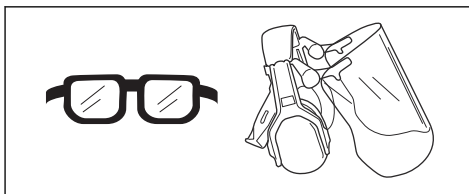


**ПРЕДУПРЕЖДЕНИЕ:** В обязательном порядке прочитайте следующие инструкции по технике безопасности, прежде чем приступать к эксплуатации изделия.

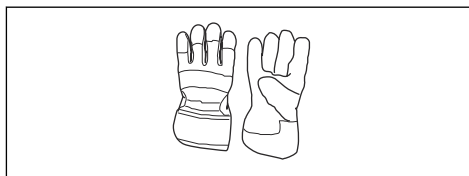
- Каждый раз при работе с изделием следует использовать одобренные средства индивидуальной защиты. Средства индивидуальной защиты не могут полностью исключить риск получения травмы, но при несчастном случае они снижают тяжесть травмы. За помощью по правильному выбору оборудования обращайтесь к дилеру.
- Следует пользоваться одобренными защитными наушниками с достаточным уровнем подавления шума. Продолжительное воздействие шума может повлечь неизлечимое ухудшение слуха.



- Пользуйтесь проверенными средствами защиты глаз. При использовании защитной маски следует пользоваться также одобренными защитными очками. Под одобренными защитными очками подразумеваются очки, отвечающие требованиям стандарта ANSI Z87.1 для США или EN 166 для стран ЕС.



- При необходимости надевайте перчатки, например, при закреплении, проверке или очистке режущего оборудования.



- Пользуйтесь защитными ботинками со стальным носком и нескользкой подошвой.



- Надевайте одежду из прочного материала. Всегда надевайте длинные прочные брюки и верхнюю одежду с длинными рукавами. Запрещается надевать свободную одежду, которая может зацепиться за ветви или кустарник. Не надевайте ювелирные украшения, шорты, сандалии и не ходите босиком. Зафиксируйте волосы выше уровня плеч.
- Средства оказания первой помощи всегда должны быть под рукой.



### Защитные устройства на оборудовании



**ПРЕДУПРЕЖДЕНИЕ:** Прежде чем приступить к эксплуатации оборудования, обязательно прочитайте следующие инструкции по технике безопасности.

Данный раздел содержит информацию о защитных приспособлениях оборудования, его назначении, а также проверках и техническом обслуживании, которое необходимо выполнять для обеспечения его правильной работы. См. указания в разделе *Обзор оборудования на стр. 174*, где приведено расположение этих деталей на оборудовании.

Срок службы оборудования может быть сокращен, а риск несчастных случаев увеличен, если техническое обслуживание оборудования не выполняется надлежащим образом, а обслуживание и/или ремонт выполнены непрофессионалом. Дополнительную информацию можно получить у ближайшего дилера по обслуживанию.



**ПРЕДУПРЕЖДЕНИЕ:** Ни в коем случае не пользуйтесь оборудованием с неисправными защитными приспособлениями. Техобслуживание и проверка защитных приспособлений должны выполняться так, как это описано в данном разделе. Если в результате этих проверок оборудования обнаружены неисправности, немедленно обратитесь к специалисту для выполнения ремонта.



**ПРЕДУПРЕЖДЕНИЕ:** Для обслуживания и ремонта изделия

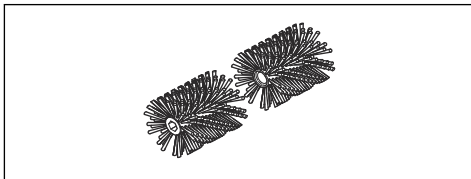
требуется специальная подготовка. Это особенно относится к защитным приспособлениям изделия. При обнаружении одной или нескольких неисправностей (см. перечень проверок ниже) в обязательном порядке обратитесь в сервисный центр. При приобретении любой нашей продукции вы гарантированно получаете доступ к профессиональной помощи по ремонту и обслуживанию. Если изделие было приобретено у дилера, не имеющего сервисного центра, узнайте у него адрес ближайшего сервисного центра.

### Инструкции по технике безопасности во время технического обслуживания



**ПРЕДУПРЕЖДЕНИЕ:** Всегда останавливайте изделие, прежде чем приступить к техническому обслуживанию оборудования. Соблюдайте осторожность, поскольку оборудование может продолжать вращаться даже после отпущения рычага дросселя/переключателя. Убедитесь, что оборудование полностью остановилось. Если изделие работает на бензине, отсоедините провода высокого напряжения от свечи зажигания. Если изделие работает от аккумулятора, извлеките аккумулятор.

- Перед началом работы проверьте целостность изделия. Замените поврежденные детали.
- Проверьте целостность и надежность крепления всех щитков и кожухов. Проверьте все гайки и винты.
- Если изделие работает на бензине, убедитесь в отсутствии утечек топлива.
- Убедитесь, что барабаны со щетками не повреждены, не имеют трещин или других дефектов.

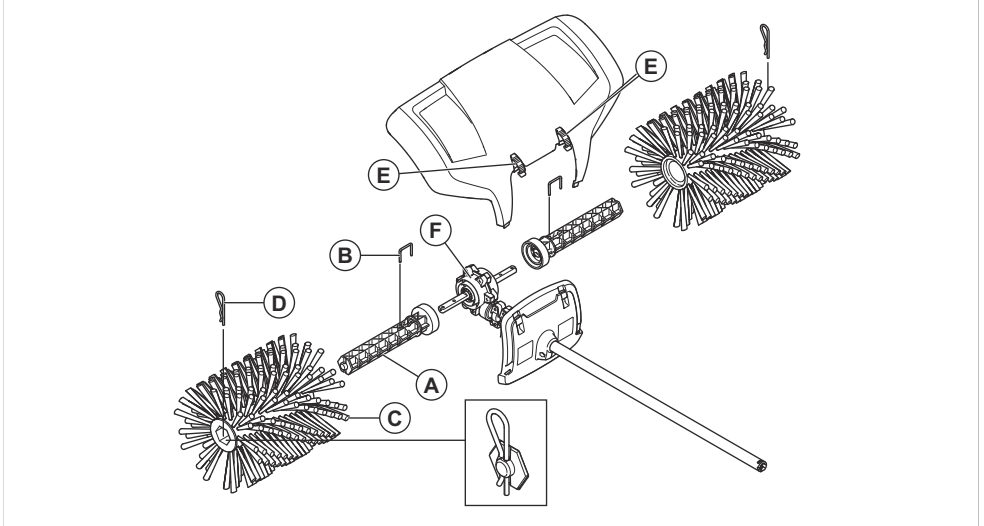


---

## Сборка

---

### Установка оборудования



1. Нажмите на одну из осей барабана (А), чтобы установить ее на один из двух выходных валов со стороны корпуса редуктора (F). При необходимости поверните ось барабана так, чтобы отверстие для штифта совпало с соответствующим отверстием в ведущем валу.
2. Закрепите вал ролика стопорным штифтом (В).
3. Установите один из роликов щетки (С) на вал в сборе. Нажмите на ролик до упора.
4. Закрепите ролик на валу шпилькой (D). При сборке слегка вдавливайте конец.

5. Повторите эти действия для сборки оси и ролика на противоположной стороне.
6. Установите брызговики с помощью пружинных фиксаторов (Е).

---

**Примечание:** Инструкции по установке принадлежностей на основное устройство см. в руководстве по эксплуатации основного устройства.

---

---

## Эксплуатация

---

### Эксплуатация оборудования

1. Запустите изделие на полной (или почти максимальной) мощности/скорости, поставив щетку на поверхность.

---

**Примечание:** Поднимать щетку или удерживать ее над землей во время работы очень тяжело, и в этом нет необходимости.

---

2. При очистке узких поверхностей, например дорожек, изделие можно настроить так, чтобы оно отбрасывало материал прямо перед вами. При работе на более широких поверхностях необходимо устанавливать машину под углом для того, чтобы полосы материала формировались сбоку. Полосы, состоящие из легких материалов, можно собирать в один ряд или штабель для дальнейшего удаления. Иногда для удаления твердых или сыпучих материалов требуется располагать их в несколько полос.



3. Для очистки труднодоступных углов снимите брызговик, ослабьте соединение и поверните насадку на пол-оборота.



**ПРЕДУПРЕЖДЕНИЕ:** Таким образом, мусор будет отбрасываться назад в направлении пользователя. При работе в реверсивном режиме включайте более низкую скорость. Соблюдайте осторожность во избежание спотыкания.

4. Устанавливайте небольшой рабочий угол к поверхности. Слишком большой рабочий угол может означать, что щетка перемещается по направлению к вам и вы можете потерять контроль над ней.



## Техническое обслуживание

### Введение

Ниже приведены некоторые общие инструкции по техническому обслуживанию. Для получения дополнительной информации обратитесь в сервисную мастерскую.

### Техническое обслуживание оборудования



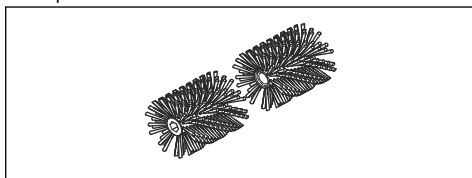
**ВНИМАНИЕ:** Оборудование используется в загрязненных условиях. При эксплуатации изделия с бензиновым двигателем очень важно регулярно проводить техническое обслуживание воздушного фильтра. Для обеспечения надлежащей работы необходимо смазывать воздушный фильтр маслом. Инструкции по техническому обслуживанию см. в

руководстве по эксплуатации силового блока.



**ПРЕДУПРЕЖДЕНИЕ:** Во время работы изделия картер редуктора нагревается. Во избежание ожогов не касайтесь картера редуктора.

1. Убедитесь, что барабаны со щетками не вращаются при отпуске рычага дросселя/ переключателя.



2. Убедитесь, что барабаны со щетками не повреждены и на них нет трещин. При необходимости замените барабаны со щетками.

3. При длительном хранении подвешивайте щетку.

## Транспортировка, хранение и утилизация

### Транспортировка и хранение

При транспортировке оборудования на другом транспортном средстве в обязательном порядке используйте одобренные защитные устройства и следите за тем, чтобы оборудование было надежно закреплено.

Следите за тем, чтобы оборудование регулярно очищалось и чтобы перед его продолжительным хранением было выполнено полное обслуживание.

## Технические данные

### Технические данные изделий, работающих на бензине

|   |              |
|---|--------------|
| <b>Щетинная щетка</b>   | <b>BR600</b> |
| Ширина барабана со щеткой, мм   | 597          |
| Диаметр барабана со щеткой, мм  | 270          |
| <b>Масса</b>  |              |
| Масса, кг   | 5,3          |
| <b>Излучение шума</b> <sup>109</sup>  |              |
| Уровень мощности звука, измеренный, дБ (A)  | 106          |
| Уровень мощности звука, гарантированный $L_{WA}$ , дБ (A)   | 110          |
| <b>Уровни шума</b> <sup>110</sup>   |              |
| Эквивалентный уровень давления звука на уровне уха пользователя, измеренный согласно EN ISO 22868, дБ(A): | 94           |
| <b>Вибрация</b> <sup>111</sup>  |              |
| Эквивалентный уровень вибрации ( $a_{hv,eq}$ ) на ручках, измеренный согласно ISO 22867, $m/s^2$          |              |
| Передняя/задняя ручки   | 3,7/6,2      |

<sup>109</sup> Излучение шума в окружающую среду измеряется как мощность звука ( $L_{WA}$ ) согласно директиве ЕС 2000/14/ЕС. Указанный уровень мощности звука для устройства измерен с оригинальным режущим оборудованием, дающим наивысший уровень. Разница между гарантированной и измеренной мощностью звука заключается в том, что гарантированная мощность звука включает результаты измерений как диапазон и их отклонение для устройств одной и той же модели согласно директиве 2000/14/ЕС.

<sup>110</sup> Указанные данные об эквивалентном уровне давления звука для устройства имеют типичный статистический разброс (стандартное отклонение) 1 дБ(A).

<sup>111</sup> Указанные данные о среднем уровне вибраций имеют типичный статистический разброс (стандартное отклонение) 1  $m/s^2$ .

## Технические данные изделий, работающих от аккумулятора

|  |         |
|--|---------|
| <b>325iLK + насадка-щетинная щетка BR600</b>   |         |
| Ширина барабана со щеткой, мм  | 597     |
| Диаметр барабана со щеткой, мм   | 270     |
| <b>Масса</b>   |         |
| Масса, кг  | 2,3+5,3 |
| <b>Излучение шума</b> <sup>112</sup>   |         |
| Уровень мощности звука, измеренный, дБ (А)   | 90      |
| <b>Уровни шума</b> <sup>113</sup>  |         |
| Уровень давления звука на уровне уха пользователя, измеренный согласно ISO 22868, дБ(А): | 80      |
| <b>Вибрация</b> <sup>114</sup>   |         |
| Уровни вибрации на ручках, измерены согласно EN 62841-1, м/с <sup>2</sup>                |         |
| С соответствующим оборудованием (оригинальным), слева/справа                             | 3,3/3,1 |

<sup>112</sup> Указанные данные об уровне мощности звука изделия имеют типичный статистический разброс (стандартное отклонение) 3 дБ (А) и были измерены с оригинальным оборудованием, дающим наивысший уровень.

<sup>113</sup> Указанные данные об уровне звукового давления изделия имеют типичный статистический разброс (стандартное отклонение) 3 дБ (А) и были измерены с оригинальным оборудованием, дающим наивысший уровень.

<sup>114</sup> Указанные данные об уровне вибрации имеют типичный статистический разброс (стандартное отклонение) 2 м/с<sup>2</sup>. Для сравнения уровней вибрации изделий с аккумулятором и ДВС используйте калькулятор вибрации: <https://www.husqvarna.com/uk/services-solutions/vibration-calculator/>.

# Декларация соответствия

## Декларация соответствия требованиям ЕС

Мы, компания **Husqvarna AB**, SE-561 82  
Husqvarna, Швеция, тел.: +46-36-146500, с полной  
ответственностью заявляем, что изделие:

|                      |   |
|----------------------|---|
| <b>Описание</b>      | Насадка-щетинная щетка                      |
| <b>Марка</b>         | Husqvarna                                   |
| <b>Тип / Модель</b>  | BR600                                       |
| <b>Идентификация</b> | Серийные номера начиная с 2022 года и далее |

полностью соответствует следующим директивам и  
нормативам ЕС:

| <b>Директива / Норматив</b> | <b>Описание</b>  |
|-----------------------------|--|
| 2006/42/ЕС                  | "О механическом оборудовании"  |
| 2000/14/ЕС                  | "Об излучении шума в окружающую среду"   |
| 2011/65/EU                  | "Об ограничении использования определенных опасных веществ в электрическом и электронном оборудовании" |

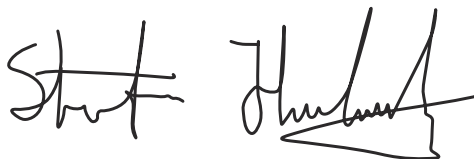
а также требованиям следующих стандартов и/или  
технических регламентов: EN ISO 12100:2010, EN  
IEC 63000:2018

Организация RISE SMP Svenska Maskinprovning AB,  
Box 7035, SE-750 07 Uppsala, Sweden осуществила  
добровольную типовую проверку от имени компании  
Husqvarna AB.

Номер сертификата: SEC/15/2412

Husqvarna, 2022-03-29

141400, Московская обл., Г. Химки, ул. Ленинградская,  
владение 39, строение 6, здание II этаж 4,  
помещение OB02\_04,  
телефон горячей линии 8-800-200-1689



Стефан Холмберг (Stefan Holmberg), директор  
отдела разработок, управление технологиями,  
Husqvarna AB

Ответственный за техническую документацию



## Obsah

|                 |     |   |     |
|-----------------|-----|---|-----|
| Úvod.....       | 184 | Údržba.....                             | 189 |
| Bezpečnosť..... | 185 | Preprava, skladovanie a likvidácia..... | 190 |
| Montáž.....     | 188 | Technické údaje.....                    | 190 |
| Prevádzka.....  | 189 | Vyhlasenie o zhode.....                 | 192 |

## Úvod

### Popis výrobku

Neustále ďalej vyvíjame svoje výrobky, a preto si vyhradzuje právo upravovať dizajn a vzhľad výrobkov bez toho, aby sme o tom vopred informovali.

**Poznámka:** Tento návod popisuje jednotky poháňané benzínom alebo batériou.

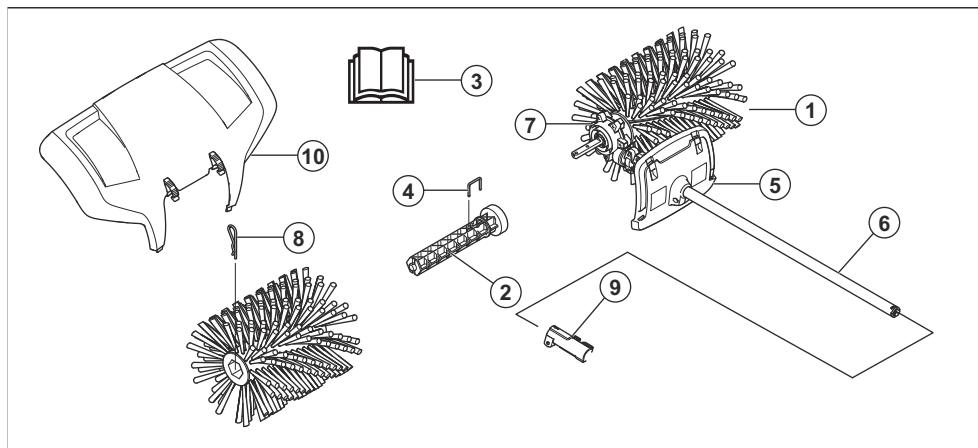
### Plánované použitie



**VÝSTRAHA:** Tento nadstavec je možné použiť len s určeným výrobkom, pozrite si kapitolu o príslušenstve v Návoде na obsluhu výrobku.

Tento nadstavec je určený výlučne na zametanie chodníkov, asfaltových ciest a podobne.

### Prehľad informácií o nadstavci



1. Zametací valec
2. Os valca
3. Návod na obsluhu
4. Poistný kolík
5. Kryt (ochrana na hriadeľ)
6. Hriadeľ
7. Skriňa prevodovky
8. Závažka
9. Spojka hriadeľa (dodáva sa spolu s výrobkom)
10. Chránič proti postriekaniu

### Symbody na nadstavci a na pohonnej jednotke



Neopatrné alebo nesprávne používanie tohto nadstavca môže spôsobiť vážne až smrteľné zranenie obsluhu a iným osobám.



Skôr než začnete nadstavec používať, pozorne si prečítajte návod na obsluhu, aby ste porozumeli pokynom.







Používajte schválené chrániče sluchu.  
Používajte schválené chrániče očí.  
V prašnom prostredí používajte dýchaciu masku.



Počas používania výrobku zachovávajújte minimálnu vzdialenosť 15 metrov od ľudí a zvierat.



Tento nadstavec je v súlade s príslušnými smernicami EÚ.



Všetky časti tela udržiavajte mimo horúcich plôch.



Tento výrobok je v súlade s príslušnými právnymi predpismi Spojeného kráľovstva.



Označenie týkajúce sa emisie hluku do okolia podľa smerníc a nariadení EÚ a UK a legislatívy v štáte New South Wales „Protection of the Environment Operations (Noise Control) Regulation 2017“ (Nariadenie o ochrane životného prostredia pri prevádzke (kontrola hluku) z roku 2017). Garantovaná hladina akustického výkonu produktu je uvedená v *Technické údaje na strane 190* a na štítku.



Rotujúce časti. Nepribližujte ruky a nohy. Šípka označuje smer otáčania.



Vždy používajte schválené ochranné rukavice.



Noste masívne nekĺzavé topánky.



Dávajte pozor na vymrštené objekty a spätné odrazy.

**Poznámka:** Ostatné symboly/štítky na rezacom nástroji obsahujú údaje v súlade so zvláštnymi požiadavkami certifikácie pre určité trhy.

Používateľ musí zabezpečiť, aby sa žiadni ľudia alebo zvieratá nedostali bližšie ako 15 m od výrobku. Ak v rovnakom priestore pracuje niekoľko používateľov, bezpečná vzdialenosť medzi nimi musí byť minimálne 15 m. Nadstavec môže odhodiť predmety, ktoré sa môžu odraziť späť. Ak sa nepoužíva odporúčané bezpečnostné vybavenie, môže to spôsobiť vážne poranenia očí.



## Bezpečnosť

### Bezpečnostné definície

Výstrahy, upozornenia a poznámky slúžia na zdôraznenie mimoriadne dôležitých častí návodu na obsluhu.



**VAROVANIE:** Používa sa, ak hrozí nebezpečenstvo poškodenia produktu alebo nadstavca, iných materiálov alebo okolitej oblasti v prípade nedodržania pokynov v návode.



**VÝSTRAHA:** Používa sa, ak pre obsluhu alebo osoby v okolí existuje nebezpečenstvo poranenia alebo smrti v prípade nedodržania pokynov v návode.

**Poznámka:** Používa sa na poskytnutie informácií nad rámec nevyhnutných informácií v danej situácii.

## Všeobecné bezpečnostné pokyny



**VÝSTRAHA:** Skôr než budete nadstavec používať, prečítajte si nasledujúce bezpečnostné pokyny.

- Pred používaním nadstavca si pozorne prečítajte návod na obsluhu a uistite sa, že rozumiete uvedeným pokynom.
- Tieto pokyny dopĺňajú pokyny dodávané spolu s výrobkom. Pri iných operáciách postupujte podľa návodu na obsluhu výrobku.
- Za žiadnych okolností nemeňte pôvodnú konštrukciu nadstavca bez schválenia od výrobcu. Nepoužívajte nadstavec, ktorý sa zdá byť upravený, a vždy používajte originálne príslušenstvo. Nepovolené zmeny alebo príslušenstvo môžu viesť k vážnemu zraneniu alebo smrti operátora alebo ostatných osôb.

## Prečítajte si všetky pokyny



**VÝSTRAHA:** Pri používaní elektrických záhradných zariadení je nevyhnutné vždy dodržiavať základné bezpečnostné opatrenia na zníženie nebezpečenstva požiaru, úrazu elektrickým prúdom, a vážneho poranenia vrátane nasledujúcich opatrení:

## Bezpečnostné pokyny pre prevádzku



**VÝSTRAHA:** Skôr než budete produkt používať, prečítajte si nasledujúce výstrahy.

- Overte si, či je zabránené náhodnému naštartovaniu počas vykonávania montáže, kontroly alebo údržby. Ak máte benzínové zariadenie, odpojte od sviečky kryt zapalovacej sviečky. Ak máte zariadenie na batériu, vyberte batériu.
- Občas sa môže do hrotov zachytiť tráva či kamenky. Pred ich odstraňovaním vždy zastavte motor.
- Dávajte pozor na odletujúce predmety. Vždy noste ochranné prostriedky očí. Nikdy sa nenahýbajte nad zametací valec. Kamene, úlomky, atď. môžu vyletieť do očí a zapríčiniť slepotu alebo vážne poranenie.
- Prevod sa počas prevádzky môže zahriať a môže aj po použití zostať ešte chvíľu horúci. V prípade dotyku by ste sa mohli popáliť.
- Pri štartovaní výrobok pevne držte.
- Aj keď zametacie valce nemajú takú silu ako napríklad nože kosačiek na trávu, nepracujte s materiálmi, ktoré môžu pri vymrštení spôsobiť poranenie alebo vecné škody.
- Výrobok smiete používať len v prípade, že ste schopní prívolať pomoc v prípade nehody.
- Výrobok používajte len na účel, na ktorý je určený.

- Nikdy nepoužívajte výrobok pri únave, po požití alkoholu alebo liekov, pretože to môže viesť k zhoršeniu zraku, úsudku alebo koordinácie.
- Nikdy nepoužívajte výrobok za nepriaznivého počasia, napríklad pri veľkom mraze, vo veľmi horúcom alebo vlhkom podnebí.
- Nikdy nepoužívajte poškodený výrobok. Vykonávajte bezpečnostné kontroly, údržby a dodržiavajte servisné pokyny uvedené v tomto návode. Určité opatrenia týkajúce sa servisu a údržby zariadenia musia vykonávať iba odborníci. Pozrite si pokyny v časti Údržba.
- Nikdy nedovoľte, aby výrobok používali deti.
- Nikdy nikomu nedovoľte, aby používal výrobok bez toho, že by ste sa najprv ubezpečili, že si prečítal a správne pochopil obsah návodu na obsluhu.
- Nedovoľte nepovolaným osobám, aby sa priblížili k miestu práce. Počas práce musia deti, zvieratá, okolostojace osoby a pomocníci zostať za bezpečnou zónou 15 metrov. Ak sa niekto k výrobku viac priblíži, okamžite ho zastavte.
- V prípade neistoty ohľadom ďalšieho postupu sa obráťte na odborníka. Kontaktujte svojho predajcu alebo servisnú dielňu.
- Vyvarujte sa každému použitiu výrobku, ktoré podľa vás presahuje vaše možnosti.
- Presvedčte sa, že v blízkosti nie sú ľudia ani zvieratá, ktoré by mohli prísť do kontaktu s produktom alebo ovplyvniť jeho používanie.
- Ak nosíte chrániče sluchu, dávajte pozor na varovné signály alebo výkriky. Chrániče sluchu si skladajte hneď, ako sa motor zastaví.
- Zariadenie nepoužívajte počas nepriaznivých poveternostných podmienok, napríklad v hustej hmle, v silnom daždi, v silnom vetre, v silnom mraze atď. Práca v nepriaznivom počasí je únavná a často prináša zvýšené nebezpečenstvo, ako je napr. klzká zem.
- Skontrolujte, či sa môžete pohybovať a stáť bezpečne.



- Pred presunom na iné miesto je potrebné vypnúť výrobok.
- Výrobok so spusteným motorom nepokladajte na zem, ak ho nemáte neustále pod dobrým dohľadom.
- Výrobok vždy držte oboma rukami. Stroj držte vedľa tela.

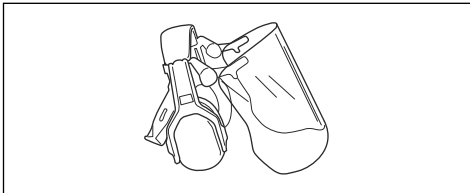
- Dávajte pozor, aby sa vaše ruky a nohy nedostali do kontaktu s kefou, kým je zapnutý motor.
- Keď sa motor vypne, nepribližujte ruky ani nohy ku kefe, kým sa úplne nezastaví.
- Ak dôjde k silným vibráciám, zastavte zariadenie. Ak máte benzínové zariadenie, odpojte vysokonapäťový kábel od zapalovacej sviečky. Ak máte zariadenie na batériu, vyberte batériu. Skontrolujte, či výrobok nie je poškodený. Akékoľvek poškodenie opravte.

## Osobné ochranné prostriedky

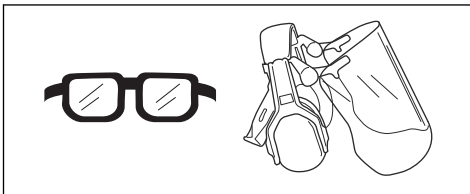


**VÝSTRAHA:** Skôr než budete výrobok používať, prečítajte si nasledujúce výstrahy.

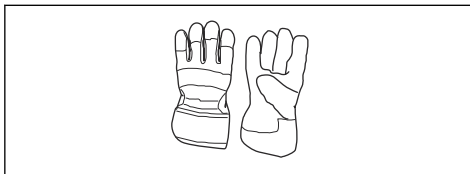
- Pri používaní produktu vždy používajte schválené osobné ochranné prostriedky. Osobné ochranné prostriedky nedokážu úplne vylúčiť riziko, ale môžu znížiť vážnosť zranenia v prípade nehody. Váš predajca vám pomôže pri výbere správnych prostriedkov.
- Používajte schválené chrániče sluchu, ktoré zaručujú primeranú redukciu hluku. Dlhodobé vystavenie sa hluku môže spôsobiť trvalé poškodenie sluchu.



- Používajte schválené chrániče očí. Ak používate štít, musíte tiež používať schválené ochranné okuliare. Schválené ochranné okuliare musia zodpovedať norme ANSI Z87.1 platnej v USA alebo norme EN 166 platnej v krajinách EÚ.



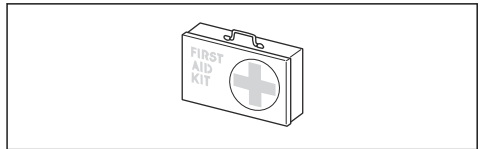
- Keď je to potrebné, používajte rukavice, ako napríklad pri montáži, kontrole alebo čistení rezného zariadenia.



- Používajte ochrannú obuv s oceleťovými špičkami a protišmykovými podrážkami.



- Používajte odev vyrobený z pevnej tkaniny. Vždy noste pevné, dlhé nohavice a dlhé rukávy. Nepoužívajte voľný odev, ktorý sa môže zachytiť v konároch a vetvách. Nenoste šperky, krátke nohavice, sandále a nebuďte bosí. Vlasy si bezpečne uchytte nad úrovňou ramien.
- Majte poruke pomôcky na poskytnutie prvej pomoci.



## Bezpečnostné zariadenia na nadstavci



**VÝSTRAHA:** Skôr než budete nadstavec používať, prečítajte si nasledujúce výstrahy.

V tejto časti sa uvádza popis bezpečnostných funkcií nadstavca, jeho účel a spôsob vykonávania kontrol a údržby, aby bola zabezpečená správna činnosť nadstavca. Pozrite si pokyny v časti *Prehľad informácií o nadstavci na strane 184*, kde nájdete umiestnenie týchto súčastí na nadstavci.

Ak sa údržba nadstavca nebude vykonávať správne a ak sa servis alebo opravy nebudú vykonávať odborné, skráti sa tým jeho životnosť a zvýši sa nebezpečenstvo nehôd. Ak potrebujete podrobnejšie informácie, obráťte sa na najbližší servis.



**VÝSTRAHA:** Nikdy nepoužívajte nadstavec, ktorý má chybné bezpečnostné súčasti. Bezpečnostné vybavenie nadstavca sa musí kontrolovať a udržiavať tak, ako je to opísané v tejto časti. Ak nadstavec neprejde niektorou z kontrol, obráťte sa na servisného zástupcu a požiadajte ho o opravu.



**VÝSTRAHA:** Všetky servisné a opravné práce na výrobku si vyžadujú špeciálne školenie. Platí to najmä o bezpečnostnom vybavení výrobku. Ak výrobok neprejde niektorou z kontrol popísaných nižšie, obráťte sa na servisného

zástupcu. Pri kúpe ktoréhokoľvek z našich výrobkov vám zaručujeme dostupnosť odborných opráv a servis. Ak maloobchodný predajca, ktorý vám výrobok predáva, nie je servisný technik, požiadajte ho o adresu najbližšej servisnej dielne.

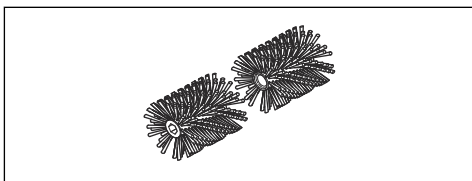
sviečky. Ak máte zariadenie na batériu, vyberte batériu.

## Bezpečnostné pokyny pre údržbu



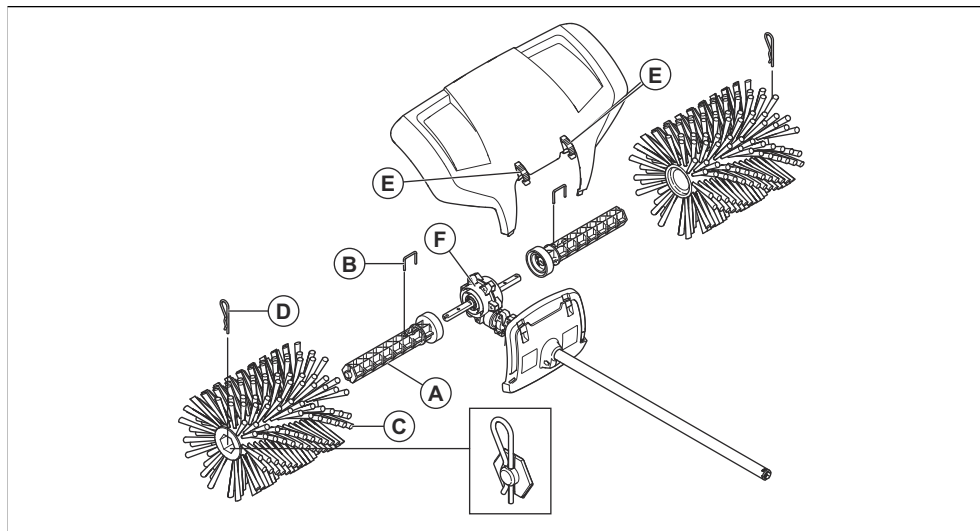
**VÝSTRAHA:** Pred údržbou nadstavca vždy vypnite výrobok. Postupujte opatrne. Aj po uvoľnení plynu/páčky vypínača sa môže nadstavec ešte chvíľu pohybovať. Uistite sa, že sa nadstavec úplne zastavil. Ak máte benzínové zariadenie, odpojte vysokonapäťové káble od zapalovacej

- Skôr ako začnete, celý stroj skontrolujte. Poškodené diely vymeňte.
- Skontrolujte, či sú všetky kryty a chrániče správne pripevnené. Skontrolujte všetky matice a skrutky.
- Ak máte benzínové zariadenie, skontrolujte, či nedochádza k úniku paliva.
- Skontrolujte, či zemetacie valce nie sú poškodené a nie sú na nich známky popraskania alebo iného poškodenia.



## Montáž

### Montáž nadstavca



1. Natlačte jednu z osí valca (A) na jeden z dvoch vývodových hnacích hriadelov vystupujúcich zo skrine prevodovky (F). V prípade potreby otočte os valca tak, aby sa otvor na kolík dostal nad zodpovedajúci otvor v hnacom hriadeli.
2. Upevnite hriadeľ valca poistným kolíkom (B).
3. Nasadte jeden zo zemetacích valcov (C) na zmontovaný hriadeľ. Zatlačte valec až úplne na doraz.

4. Upevnite valec na hriadeli pomocou klinového kolíka (D). Pri montáži jemne zatlačte koniec.
5. Zopakujte tieto kroky pri montáži osi a valca na opačnej strane.
6. Pomocou zacvakávacích príchytiek (E) nasadte chránič proti prskaniu.

**Poznámka:** Pri montáži príslušenstva na základný výrobok si pozrite návod základného výrobku.

# Prevádzka

## Používanie nadstavca

1. Výrobok používajte pri plnom plyne/rýchlosti (alebo takmer plnom plyne/rýchlosti) s kefou položenou na danom povrchu.

**Poznámka:** Zdvíhať kefu pri práci nad povrch je únavné a zbytočné.

2. Pri čistení úzkych povrchov, napríklad chodníkov, je možné výrobok používať tak, že bude materiál vyhadzovať rovno pred vás. Ak chcete pracovať na širších povrchoch, možno bude potrebné pracovať šikmo, aby sa vytvárali pásy na jednej strane. Pásy s ľahkými materiálmi je možné zhrnúť do jedného radu alebo kopy a odstrániť neskôr, kým tvrdé alebo väčšie materiály bude možno potrebné zhrnúť v niekoľkých pásoch.



3. Aby ste sa dostali do rohov, odpojte chránič proti prskaniu, uvoľnite spojku príslušenstva a otočte príslušenstvo o pol otáčky.



**VÝSTRAHA:** Odpad bude potom vyletovať dozadu smerom k používateľovi. Pri cúvaní s výrobkom používajte nižšiu rýchlosť a nezabúdajte, že môžete ľahko zakopnúť.

4. Udržiavajte malý pracovný uhol k povrchu. Pri príliš veľkom pracovnom uhle má zmetač tendenciu pohybovať sa smerom k vám a riskujete, že stratíte nad výrobkom kontrolu.



## Údržba

### Úvod

V nasledujúcom texte sú uvedené niektoré všeobecné pokyny na údržbu. Ak potrebujete podrobnejšie informácie, kontaktujte vášho predajcu.

### Údržba príslušenstva



**VAROVANIE:** Príslušenstvo sa používa v nečistých podmienkach. Ak máte benzínové zariadenie, je veľmi dôležité,

aby ste vykonávali pravidelnú údržbu vzduchového filtra. Aby vzduchový filter správne fungoval, musí sa namazať olejom. Pozrite si pokyny na údržbu v návode na obsluhu pohonnej jednotky.

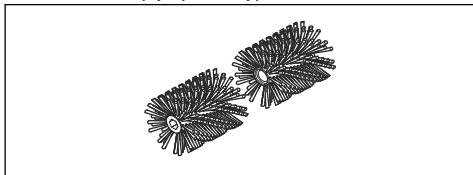


**VÝSTRAHA:** Skriňa prevodovky sa počas používania výrobku zohreje. Nedotýkajte sa skrine prevodovky, aby ste predišli popáleniu.

1. Skontrolujte, či sa zametacie valce prestanú otáčať, keď uvoľníte plyn/páčku vypínača.

2. Skontrolujte, či zametacie valce nie sú poškodené alebo popraskané. V prípade potreby zametacie valce vymeňte.

3. Pri skladovaní na dlhšie obdobie kefy zaveste.



## Preprava, skladovanie a likvidácia

### Preprava a uskladnenie

Pred dlhodobým skladovaním vykonajte kompletný servis rezacieho nástroja a vyčistite ho.

Ak rezací nástroj prepravujete na inom vozidle, vždy používajte schválené zabezpečovacie prvky a uistite sa, že nástroj je bezpečne upevnený.

## Technické údaje

### Technické údaje pre benzínové zariadenia

|   |              |
|---|--------------|
| <b>Kefa so štetinami</b>  | <b>BR600</b> |
| Šírka zametacieho valca, mm   | 597          |
| Priemer zametacieho valca, mm   | 270          |
| <b>Hmotnosť</b>   |              |
| Hmotnosť, kg  | 5,3          |
| <b>Emisie hluku</b> <sup>115</sup>  |              |
| Nameraná úroveň hlučnosti dB(A)   | 106          |
| Zaručená úroveň hlučnosti L <sub>WA</sub> dB(A)   | 110          |
| <b>Úroveň hlučnosti</b> <sup>116</sup>  |              |
| Ekvivalentná hladina akustického tlaku pri uchu používateľa meraná podľa normy EN ISO 22868, dB(A):                 | 94           |
| <b>Vibrácie</b> <sup>117</sup>  |              |
| Ekvivalentné hladiny vibrácií (a <sub>hv,eq</sub> ) na rukovätiach merané podľa normy ISO 22867, m/s <sup>2</sup> : |              |
| Predné/zadné rukoväti   | 3,7/6,2      |

<sup>115</sup> Hladina hluku meraná ako akustický tlak (L<sub>WA</sub>) v súlade s európskou smernicou 2000/14/ES. Uvádzaná hladina akustického výkonu pre stroj bola meraná s originálnym rezacím nadstavcom, ktorý produkuje najvyššiu úroveň. Rozdiel medzi zaručeným a nameraným akustickým výkonom spočíva v tom, že zaručený akustický výkon zahŕňa aj rozptyl výsledkov merania a rozdiely medzi jednotlivými strojmi rovnakého modelu v súlade so smernicou 2000/14/ES.

<sup>116</sup> Uvádzané údaje pre ekvivalentnú hladinu akustického tlaku majú typický štatistický rozptyl (štandardnú odchýlku) 1 dB (A).

<sup>117</sup> Uvádzané údaje pre ekvivalentnú hladinu vibrácií majú typický štatistický rozptyl (štandardnú odchýlku) 1 m/s<sup>2</sup>.

## Technické údaje pre zariadenia na batériu

|  |           |
|--|-----------|
| <b>325ILK + štetinový nadstavec BR600</b>  |           |
| Šírka zametacieho valca, mm  | 597       |
| Priemer zametacieho valca, mm  | 270       |
| <b>Hmotnosť</b>  |           |
| Hmotnosť, kg   | 2,3 + 5,3 |
| <b>Emisie hluku</b> <sup>118</sup>   |           |
| Nameraná úroveň hlučnosti dB(A)  | 90        |
| <b>Úrovne hlučnosti</b> <sup>119</sup>   |           |
| Hladina akustického tlaku pri uchu používateľa meraná podľa normy ISO 22868, dB (A): | 80        |
| <b>Vibrácie</b> <sup>120</sup>   |           |
| Hladiny vibrácií na držadlách, merané podľa normy EN ISO 62841-1, m/s <sup>2</sup>   |           |
| Vybavený schváleným prislušenstvom (originál), vľavo/vpravo                          | 3,3/3,1   |

<sup>118</sup> Uvádzané údaje pre hladinu hlučnosti majú typický štatistický rozptyl (štandardnú odchýlku) 3 dB (A) a boli namerané s originálnym nadstavcom, ktorý má najvyššiu úroveň.

<sup>119</sup> Uvádzané údaje pre hladinu akustického tlaku majú typický štatistický rozptyl (štandardnú odchýlku) 3 dB (A) a boli namerané s originálnym nadstavcom, ktorý má najvyššiu úroveň.

<sup>120</sup> Uvádzané údaje pre ekvivalentný stupeň vibrácií majú typický štatistický rozptyl (štandardnú odchýlku) 2 m/s<sup>2</sup>. Ak chcete porovnať úrovne vibrácií pre výrobky s batériou a so spaľovacím motorom, použite kalkulačtor vibrácií. <https://www.husqvarna.com/uk/services-solutions/vibration-calculator/>.

## Vyhlásenie o zhode

### Vyhlásenie o zhode EÚ

My, spoločnosť **Husqvarna AB**, SE-561 82 Huskvarna, Švédsko, tel.: +46-36-146500, vyhlasujeme s plnou zodpovednosťou, že výrobok:

|                      |                                     |
|----------------------|-------------------------------------|
| <b>Popis</b>         | Štetinový nadstavec                 |
| <b>Značka</b>        | Husqvarna                           |
| <b>Typ/model</b>     | BR600                               |
| <b>Identifikácia</b> | Výrobné čísla od roku 2022 a novšie |

plne spĺňa nasledujúce smernice a nariadenia EÚ:

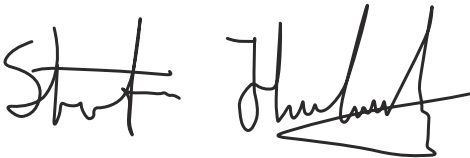
| <b>Smernice / Nariadenia</b> | <b>Popis</b>   |
|------------------------------|--|
| 2006/42/ES                   | „o strojových zariadeniach“  |
| 2000/14/ES                   | „týkajúca sa emisie hluku v prostredí pochádzajúceho zo zariadení používaných vo voľnom priestranstve“ |
| 2011/65/EÚ                   | „o obmedzení používania určitých nebezpečných látok v elektrických a elektronických zariadeniach“      |

a že sa pri ňom uplatňujú nasledujúce normy a technické špecifikácie: EN ISO 12100:2010, EN IEC 63000:2018

Spoločnosť RISE SMP Svenska Maskinprovning AB, Box 7035, SE-750 07 Uppsala, Sweden z poverenia spoločnosti Husqvarna AB vykonala dobrovoľnú typovú skúšku.

Číslo certifikátu: SEC/15/2412

Huskvarna, 2022-03-29



Stefan Holmberg, riaditeľ výskumu a vývoja, oddelenie riadenia technológií, Husqvarna AB

Zodpovedný za technickú dokumentáciu





## VSEBINA

|                |     |  |     |
|----------------|-----|--|-----|
| Uvod.....      | 193 | Vzdrževanje.....                           | 198 |
| Varnost.....   | 194 | Transport skladiščenje in odstranitev..... | 199 |
| Montaža.....   | 197 | Tehnični podatki.....                      | 199 |
| Delovanje..... | 198 | Izjava o skladnosti.....                   | 201 |

## Uvod

### Opis izdelka

Nenehno razvijamo in izpopolnjujemo svoje izdelke in si zato pridržujemo pravico do sprememb njihove oblike in videza brez predhodnega opozorila.

**Opomba:** Ta priročnik vsebuje navodila tako za električne naprave na bencin kot tudi za tiste na baterije.

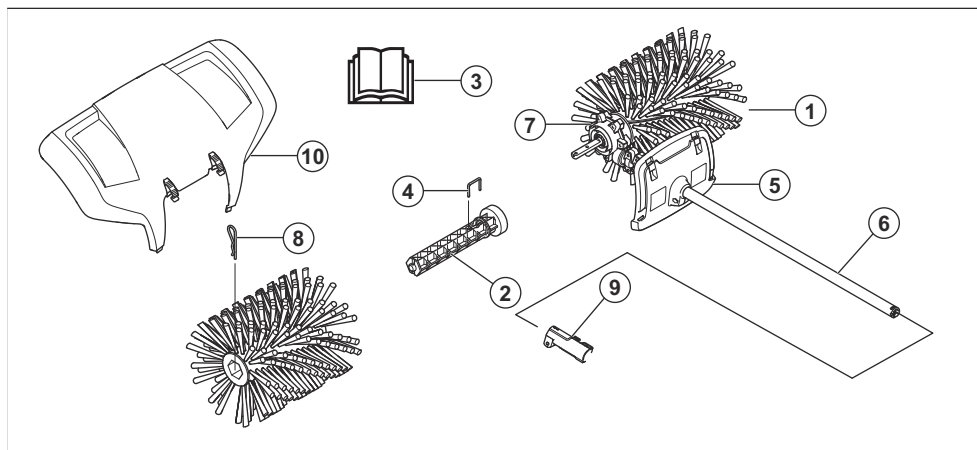
### Namen uporabe



**OPOZORILO:** Prikluček lahko uporabljate samo skupaj z izdelkom, za katerega je predviden. Glejte razdelek o dodatni opremlitvi v navodilih za uporabo izdelka.

Prikluček je zasnovan samo za pometanje poti, asfaltnih cestišč in podobnih površin.

### Pregled priključka



1. Boben za pometanje
2. Os bobna
3. Navodila za uporabo
4. Blokirni zatič
5. Ščitnik (zaščita na gredi)
6. Gred
7. Ohišje menjalnika
8. Raztezni zatič
9. Spojka gredi (priložena izdelku)
10. Ščitnik proti brizganju

### Simboli na priključku in na električni napravi



Površna in napačna uporaba tega priključka lahko povzroči hude telesne poškodbe in celo smrt uporabnika ali drugih oseb.



Pred začetkom uporabe priključka natančno preberite navodila za uporabo in se prepričajte, da ste jih razumeli.



Uporabljajte odobreno zaščito za sluh. Uporabljajte odobreno zaščito oči. Če je nevarnost prašenja, uporabljajte dihalno masko.



Med uporabo izdelka bodite na varni razdalji 15 m/50 čevljev od drugih oseb in živali.



Priključek je v skladu z veljavnimi direktivami ES.



Izdelek je v skladu z veljavnimi direktivami ZK.



Delov telesa ne približujte vročim površinam.



Emisija hrupa v okolje je skladna z direktivami in uredbami EU, ZK ter zakonodajo Novega južnega Walesa, in sicer z direktivo "Zaščita okolja pri delu (nadzor hrupa) iz 2017". Zajamčena raven zvočne moči izdelka je navedena na in v *Tehnični podatki na strani 199* in na oznaki.



Rotirajoči deli. Držite roke in noge stran. Puščica označuje smer vrtenja.



Vedno nosite odobrene zaščitne rokavice.



Nosite vedno grobe škornje, v katerih ne drsi.



Pazite na leteče in odbite predmete.



Uporabnik mora poskrbeti, da v območju 15 m okrog naprave ni ljudi ali živali. Če več uporabnikov dela skupaj, morajo upoštevati medsebojno varnostno razdaljo najmanj 15 m. Priključek lahko izvrže predmete, ki se lahko odbijejo nazaj. Če ne uporabljate priporočene varnostne opreme, lahko pride do resnih poškodb oči.

## Varnost

### Varnostne definicije

Opozorila, previdnostni ukrepi in opombe se uporabljajo za izpostavljanje zlasti pomembnih delov navodil za uporabo.



**POZOR:** Se aktivira, če obstaja nevarnost poškodbe izdelka in/ali nastavka, drugih materialov ali okolice ob neupoštevanju navodil v tem priročniku.



**OPOZORILO:** Se uporabi, če obstaja nevarnost poškodbe ali življenjske ogroženosti operaterja ali opazovalcev ob neupoštevanju navodil v tem priročniku.

**Opomba:** Se uporabi za podajanje podrobnejših informacij, potrebnih v dani situaciji.

## Splošna varnostna navodila



**OPOZORILO:** Rezilo se vrtilo celo po zaustavitvi motorja.

- Pred začetkom uporabe priključka natančno preberite navodila za uporabo in se prepričajte, da ste jih razumeli.
- Ta navodila so dopolnilo k navodilom, ki so priložena izdelku. Za druge postopke si oglejte navodila za uporabo izdelka.
- Nikoli ne smete spreminjati prvotne izvedbe priključka brez predhodnega dovoljenja proizvajalca. Ne uporabljajte priključka, če opazite, da ga je spreminjal nekdo drug, in vedno uporabljajte originalno dodatno opremo. Spremembe brez pooblastila in/ali neoriginalni deli lahko povzročijo resne poškodbe ali smrt uporabnika in drugih.

## Preberite vsa navodila



**OPOZORILO:** Pri uporabi električnih vrtnih naprav morate vedno upoštevati in izvajati osnovne varnostne predpise, s čimer zmanjšate nevarnost požara, električnega udara in telesnih poškodb. Upoštevajte naslednje:

## Varnostna navodila za uporabo



**OPOZORILO:** Pred uporabo izdelka preberite navodila v povezavi z opozorili v nadaljevanju.

- Prepričajte se, da med sestavljanjem, pregledovanjem in/ali vzdrževanjem ne more priti do nenamernega zagona. Če imate izdelek, ki deluje na bencin, snemite pokrov svečke s svečke. Če imate izdelek, ki deluje na baterijo, jo odstranite.
- Občasno se lahko trava in kamenje ujamejo med zobe. Pred čiščenjem vedno ugasnite stroj/motor
- Pozor pred izmetom predmetov. Vedno nosite zaščito za oči. Nikoli se ne sklanjajte nad boben za pometanje. Kamenje, odpadke ipd. lahko stroj vrže v oči, to pa lahko povzroči slepoto ali resne poškodbe.
- Menjalnik se lahko med uporabo segreje in lahko ostane vroč tudi po uporabi. Ob dotiku se lahko opečete.
- Izdelek ob zagonu trdno držite.
- Čeprav bobna za pometanje ne delujeta z enako močjo kot, na primer, noži kosilnice, se izogibajte delu z materiali, ki lahko ob izmetu povzročajo osebne poškodbe ali materialno škodo.
- Nikoli ne uporabljajte izdelka, če v primeru nesreče ne morete priklicati pomoči.
- Izdelek uporabljajte samo v skladu z namenom uporabe.

- Izdelka ne uporabljajte, če ste utrujeni, če ste pod vplivom alkohola ali če jemljete zdravila, ki lahko vplivajo na vid, presojo ali koordinacijo.
- Izdelka ne uporabljajte v izrednih vremenskih pogojih, kot so izredno mrzli, izredno vroči in/ali vlažni pogoji.
- Ne uporabljajte pokvarjenega izdelka. Upoštevajte varnostna navodila ter navodila za vzdrževanje in servis, navedena v tem priročniku. Nekatere vrste vzdrževalnih del in popravil lahko opravi samo za to usposobljeno strokovno osebje. Glejte navodila v poglavju Vzdrževanje.
- Otrokom ne dovolite uporabe teh izdelka.
- Izdelka ne dovolite uporabljati nikomur, dokler se ne prepričate, da je prebral navodila za uporabo in jih razumel.
- Nepooblaščen osebe naj se vam ne približujejo. Otroci, živali, opazovalci in pomočniki morajo med delom ostati zunaj varnostnega območja, ki meri 15 metrov. V primeru približevanja oseb nemudoma izklopite izdelek.
- V primeru dvoma, ali je nadaljnja uporaba še primerna, se posvetujte s strokovnjakom. Obrnite se na svojega zastopnika ali servisno delavnico.
- Izogibajte se situacijam, ki se vam zdijo prezahtevne.
- Opazujte okolico in se prepričajte, da ne obstaja nevarnost, da nobena oseba ali žival ne more priti v stik z izdelkom ali vplivati na vaš nadzor nad izdelkom.
- Bodite vedno pozorni na svarilne znake in klice, kadar uporabljate zaščito za sluh. Vedno odstranite zaščito za sluh takoj, ko stroj/motor preneha delovati.
- Izdelka ne uporabljajte v slabem vremenu, na primer v gosti megli, močnem dežju, ob močnem vetru ali v hudem mrazu ipd. Delo v slabem vremenu izčrpava in je povezano z dodatnimi tveganji, na primer zaradi spolzkih površin.
- Prepričajte se, da se lahko varno gibljete in stojite.



- Pred prestavljanjem morate izdelek izklopiti.
- Izdelka ne odlagajte z delujočim motorjem, razen če ga imate neprekinjeno pod nadzorom.
- Izdelek vedno držite z obema rokama. Izdelek držite ob telesu.
- Dokler motor deluje, se z rokami in nogami ne približujte krtačam.

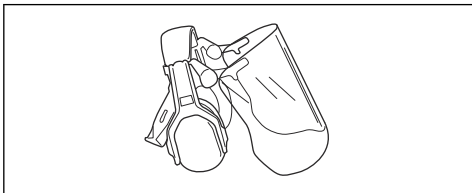
- Ko motor izklopite, z rokami in nogami ne segajte proti krtačam, dokler se te popolnoma ne zaustavijo.
- Če se pojavijo močnejše vibracije, izklopite izdelek. Če izdelek uporabljate z bencinom, odklopite kabel z vžigalne svečke. Če izdelek deluje na baterije, jo odstranite. Prepričajte se, da izdelek ni poškodovan. Popravite poškodbe.

## Osebnna zaščitna oprema

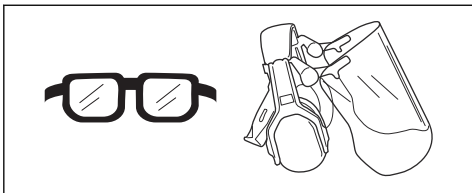


**OPOZORILO:** Pred uporabo izdelka preberite navodila v povezavi z opozorili v nadaljevanju.

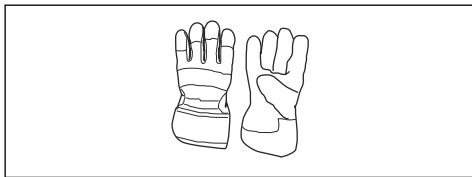
- Pri uporabi izdelka vedno uporabljajte odobreno osebno zaščitno opremo. Osebna zaščitna oprema ne more popolnoma preprečiti poškodb, vendar v primeru nesreče omili posledice. Prodajalec naj vam pomaga izbrati ustrezno opremo.
- Nosite homologirano zaščito za sluh, ki ustrezno zmanjšuje hrup. Dolgotrajna izpostavljenost hrupu lahko povzroči trajne okvare sluha.



- Uporabljajte odobreno zaščito oči. Tudi če uporabljate vizir, morate vedno uporabljati tudi homologirana zaščitna očala. Homologirana zaščitna očala morajo biti skladna s standardom ANSI Z87.1 za ZDA ali s standardom EN 166 za države EU.



- Po potrebi uporabite rokavice, npr. kadar pritrjujete, pregledujete ali čistite rezalno opremo.



- Uporabljajte zaščitne škornje z ojačano konico in nedrsečim podplatom.



- Uporabljajte oblačila iz trpežnih materialov. Vedno uporabljajte trpežne dolge hlače in dolge rokave. Ne uporabljajte ohlapnih oblačil, ki se lahko zataknejo za vejice ali veje. Ne nosite nakita, kratkih hlač in sandalov in ne hodite bos. Lase si varno spnite nad rameni.
- Paket prve pomoči hranite na dosegu roke.



## Varnostne naprave na priključku



**OPOZORILO:** Pred uporabo priključka preberite navodila v povezavi z opozorili v nadaljevanju.

V tem poglavju je opisana zaščitna oprema priključkov, namen zaščitnih funkcij ter priporočeni načini preverjanja in vzdrževanja za zagotavljanje pravilnega delovanja. Za mesta delov na priključku si oglejte navodila pod naslovom *Pregled priključka na strani 193*.

Življenjska doba priključka se lahko zaradi nepravilnega vzdrževanja oziroma zaradi nestrokovnih popravil ali servisiranja skrajša, poveča pa se tudi nevarnost nesreč. Če potrebujete več informacij, se obrnite na najbližjega pooblaščenega servisnega trgovca.



**OPOZORILO:** Nikoli ne uporabljajte priključka s poškodovanimi varnostnimi deli. Varnostno opremo priključka je treba pregledovati in vzdrževati v skladu z navodili, ki so podana v tem poglavju. Če priključek ob pregledu ne izpolnjuje vseh opisanih pogojev, se nemudoma obrnite na pooblaščenega serviserja za popravilo.



**OPOZORILO:** Za vsa servisna dela in popravila na izdelku je treba opraviti posebno usposabljanje. To še posebej velja za varnostno opremo izdelka. Če pri spodaj opisanem pregledu ugotovite, da kateri koli del izdelka ne deluje tako, kot je opisano spodaj, se nemudoma obrnite na

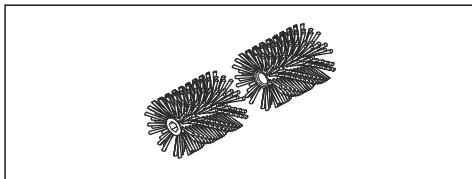
pooblaščen servisno delavnico. Pri nakupu vseh naših izdelkov vam jamčimo dostop do strokovnih popravil in servisa. Če izdelka niste kupili v kateri od naših pooblaščenih servisnih prodajaln, prodajalca vprašajte o najbližji pooblaščen servisni delavnici.

- Pred začetkom preglejte celoten izdelek. Zamenjajte poškodovane dele.
- Prepričajte se, da so vsi ščitniki in pokrovi pravilno pritrjeni. Preverite vse matice in vijake.
- Če izdelek uporabljate z bencinom, se prepričajte, da gorivo ne izteka.
- Prepričajte se, da bobna za pometanje nista poškodovana in na njih ne opazite razpok ali ostalih poškodb.

## Varnostna navodila za vzdrževanje

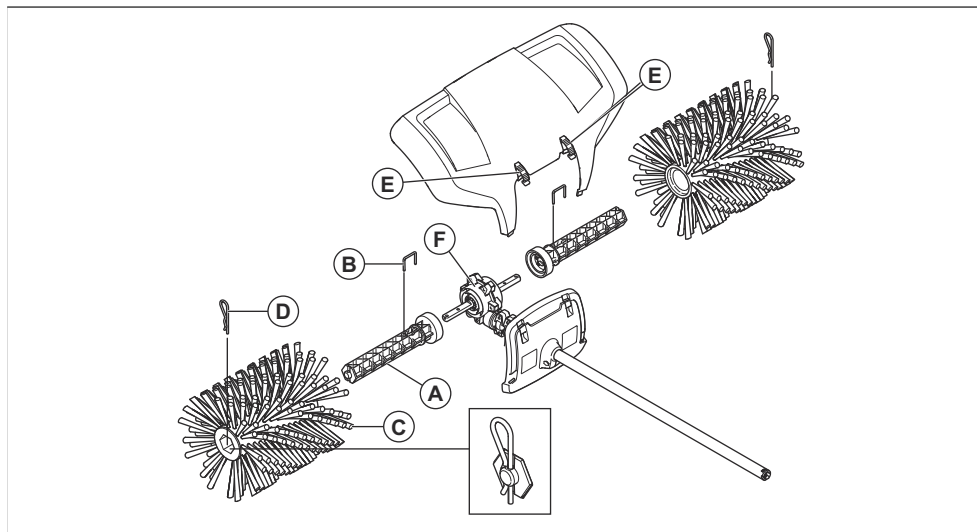


**OPOZORILO:** Pred vzdrževanjem priključka izdelek izklopite. Pazite, priključek se lahko premika, tudi ko sprostite plin/sprožilac plina. Prepričajte se, da se je priključek popolnoma zaustavil. Če izdelek uporabljate z bencinom, odklopite kable z vžigalne svečke. Če izdelek deluje na baterije, jo odstranite.



## Montaža

### Montaža priključka



1. Pritisnite eno od osi bobnov (A) na eno od obeh izhodnih pogonskih gredi iz ohišja menjalnika (F). Os bobna po potrebi obrnite tako, da je odprtina za zatič tik nad ustrezno odprtino v pogonski gredi.
2. Vrtljivo gred pritrđite z blokirnimi zatičem (B).
3. Enega od valjev za boben za pometanje (C) namestite na nameščeno gred. Pritisnite na valj, da se ustavi.
4. Valj pritrđite na gred z razcepko (D). Pri nameščanju rahlo pritisnite na koncu.
5. Ta postopek ponovite za namestitev osi in valja na nasprotni strani.
6. Z natičnimi sponkami (E) pritrđite ščitnik pred pršenjem.

**Opomba:** Navodila za nameščanje dodatne opreme na osnovni izdelek najdete v priročniku osnovnega izdelka.

---

## Delovanje

---

### Uporaba priključka

1. Stroj uporabljajte pri polnem plinu/najvišjem številu vrtljajev (ali skoraj polnem plinu/najvišjem številu vrtljajev), pri čemer se mora krtača dotikati tal.

**Opomba:** Držanje krtače nad tlemi je tako naporno kot tudi nepotrebno.

2. Pri čiščenju ozkih površin, na primer poti, je mogoče izdelek uporabljati tudi tako, da material izvrže naravnost pred vas. Pri čiščenju širših površin boste morda morali delati pod kotom, tako da na eni strani ostaja črta. Črte, v katerih se nabira lahek material, je mogoče za poznejšo odstranitev pomesti v eno črto ali kupček, težje in večje materiale pa je morda potrebno odstraniti v več črtah.



3. Da bi dosegli tudi kote, odstranite ščitnik pred pršenjem, sprostite prikllop dodatne opreme in dodatno opremo obrnite za pol obrata.



**OPOZORILO:** Smeti bodo v tem primeru izvržene nazaj proti uporabniku. Pri vzratnem delovanju izdelka uporabljajte nizko hitrost in ne pozabite, da se lahko spotaknete.

4. Ohranjajte majhen delovni kot do površine. Prevelik delovni kot lahko povzroča premikanje pobiralne naprave proti uporabniku in posledično nevarnost izgube nadzora.



---

## Vzdrževanje

---

### Uvod

V nadaljevanju je zapisanih nekaj splošnih navodil za vzdrževanje. Če potrebujete več informacij, se obrnite na svojo servisno delavnico.

### Vzdrževanje priključka



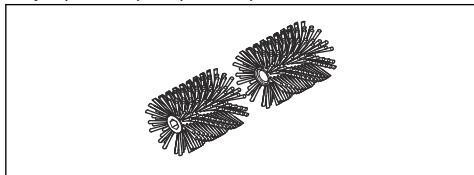
**POZOR:** Priključek uporabljate v umazanem okolju. Če uporabljate izdelek, ki deluje na bencin, je zelo pomembno, da redno vzdržujete zračni filter.

filter mora biti za primerno delovanje naoljen. Navodila za vzdrževanje najdete v uporabniškem priročniku električne naprave.



**OPOZORILO:** Med uporabo izdelka se ohišje menjalnika močno segreje. Da bi se izognili opeklinam se ne dotikajte ohišja naprave.

1. Prepričajte se, da se bobna za pometanje ne vrtita, ko je sproščen plin/sprožilec plina.



2. Prepričajte se, da bobna za pometanje nista poškodovana ali počena. Po potrebi zamenjajte bobna za pometanje.

3. Krtače med daljšim shranjevanjem obesite.

## Transport skladiščenje in odstranitev

### Prevoz in skladiščenje

Pri transportu priključka na drugem vozilu vedno uporabite odobrene varnostne naprave in poskrbite, da je priključek varno pritrjen.

Pred dolgotrajnim skladiščenjem poskrbite, da bo priključek čist in da bo na njem opravljen popoln servis.

## Tehnični podatki

### Tehnični podatki za izdelke, ki delujejo na bencin

| Krtača   | BR600   |
|--|---------|
| Širina bobna za pometanje, mm  | 597     |
| Premer bobna za pometanje, mm  | 270     |
| <b>Teža</b>  |         |
| Teža, kg   | 5,3     |
| <b>Emisije hrupa</b> <sup>121</sup>  |         |
| Raven zvočne moči, izmerjena v dB (A)  | 106     |
| Raven zvočne moči, zajamčena $L_{WA}$ v dB(A)  | 110     |
| <b>Nivoji hrupa</b> <sup>122</sup>   |         |
| Ekvivalentna raven zvočnega tlaka na uporabnikovem ušesu, merjena po EN ISO 22868, dB (A)      | 94      |
| <b>Tresljaji</b> <sup>123</sup>  |         |
| Ekvivalentne ravni vibracij ( $a_{hv,eq}$ ) v ročajih, izmerjene v skladu z ISO 22867, $m/s^2$ |         |
| Sprednji/zadnji ročaj  | 3,7/6,2 |

<sup>121</sup> Emisije hrupa v okolje, merjene kot moč zvoka ( $L_{WA}$ ), v skladu z direktivo ES 2000/14/ES. Navedena raven zvočne moči naprave je bila izmerjena z originalnim rezalnim priključkom, ki dosega najvišjo raven. Razlika med zajamčeno in izmerjeno ravno zvočne moči je v tem, da zajamčena raven zvočne moči, v skladu z direktivo 2000/14/ES, vključuje tudi razpršitev izmerjenih vrednosti in razlike med različnimi napravami istega modela.

<sup>122</sup> Podatki za ekvivalentno raven zvočnega tlaka za napravo imajo tipično statistično razpršitev (standardni odklon) v vrednosti 1 dB (A).

<sup>123</sup> Zabeleženi podatki za ekvivalentno raven vibracij imajo tipično statistično razpršitev (standardni odklon) 1  $m/s^2$ .

## Tehnični podatki za izdelke, ki delujejo na baterijo

|  |           |
|--|-----------|
| <b>325iLK s krtačoBR600</b>  |           |
| Širina bobna za pometanje, mm  | 597       |
| Premer bobna za pometanje, mm  | 270       |
| <b>Teža</b>  |           |
| Teža, kg   | 2,3 + 5,3 |
| <b>Emisije hrupa</b> <sup>124</sup>  |           |
| Raven zvočne moči, izmerjena v dB (A)  | 90        |
| <b>Nivoji hrupa</b> <sup>125</sup>   |           |
| Raven zvočnega tlaka na uporabnikovem ušesu, merjeno po ISO 22868, dB (A):               | 80        |
| <b>Tresljaji</b> <sup>126</sup>  |           |
| Ravni vibracij pri ročajih, izmerjene v skladu s standardom EN 62841-1, m/s <sup>2</sup> |           |
| Opremljeno z odobreno dodatno opremo (originalno), levo/desno                            | 3,3/3,1   |

<sup>124</sup> Podatki za raven zvočne moči za napravo imajo tipično statistično razpršitev (standardni odklon) v vrednosti 3 dB (A) in so bili izmerjeni z originalnim nastavkom, ki dosega najvišjo raven hrupa.

<sup>125</sup> Podatki za raven zvočnega tlaka za napravo imajo tipično statistično razpršitev (standardni odklon) v vrednosti 3 dB (A) in so bili izmerjeni z originalnim nastavkom, ki dosega najvišjo raven hrupa.

<sup>126</sup> Podatki za raven vibracij imajo tipično statistično razpršitev (standardni odklon) v vrednosti 2 m/s<sup>2</sup>. Za primerjavo ravni tresljajev pri izdelkih, ki delujejo na baterije in različna goriva, uporabite računalnik za izračun tresljajev. <https://www.husqvarna.com/uk/services-solutions/vibration-calculator/>.



# Izjava o skladnosti

## Izjava EU o skladnosti

Mi, **Husqvarna AB**, SE--561 82 Huskvarna, Švedska,  
tel.: +46-36-146500, izjavljamo na lastno odgovornost,  
da je izdelek:

|                       |   |
|-----------------------|---|
| <b>Opis</b>           | Krtača                                  |
| <b>Znamka</b>         | Husqvarna                               |
| <b>Vrsta/model</b>    | BR600                                   |
| <b>Identifikacija</b> | Serijske številke od letnika 2022 dalje |

v celoti skladen z naslednjimi direktivami in uredbami  
EU:

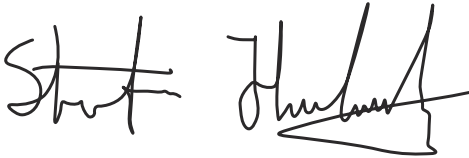
| Direktiva/uredba | Opis   |
|------------------|--|
| 2006/42/ES       | "o strojih"  |
| 2000/14/EC       | "o emisijah hrupa v okolico"   |
| 2011/65/EU       | "o omejevanju uporabe nekaterih nevarnih snovi v električni in elektronski opremi" |

in so pri tem v veljavi naslednji standardi in/ali tehnične  
specifikacije: EN ISO 12100:2010, EN IEC 63000:2018

RISE SMP Svenska Maskinprovning AB, Box 7035,  
SE-750 07 Uppsala, Sweden je v imenu družbe  
Husqvarna AB opravil prostovoljen tipski pregled.

Številka potrdila: SEC/15/2412

Huskvarna, 2022-03-29



Stefan Holmberg, direktor oddelka za raziskave in  
razvoj, tehnološko upravljanje, Husqvarna AB

Odgovorni za tehnično dokumentacijo



## Innehåll

|                   |     |   |     |
|-------------------|-----|---|-----|
| Introduktion..... | 202 | Underhåll.....                          | 207 |
| Säkerhet.....     | 203 | Transport, förvaring och kassering..... | 208 |
| Montering.....    | 206 | Tekniska data.....                      | 208 |
| Drift.....        | 207 | Försäkran om överensstämmelse.....      | 210 |

## Introduktion

### Produktbeskrivning

Vi arbetar ständigt med att vidareutveckla våra produkter och förbehåller oss därför rätten till ändringar beträffande bl.a. produkternas form och utseende utan föregående meddelande.

**Notera:** Den här bruksanvisningen omfattar både bensin- och batteridrivna kraftaggregat.

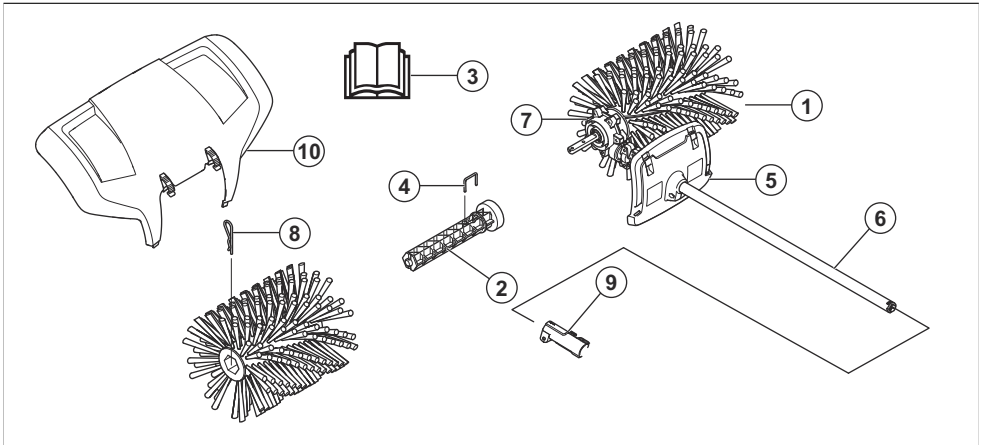
### Avsedd användning



**VARNING:** Det här tillbehöret får endast användas tillsammans med den produkt det är avsett för. Mer information finns i avsnittet om tillbehör i användarhandboken för produkten.

Tillbehöret är endast konstruerat för borstning av gångar, asfaltsvägar och liknande.

### Tillbehörsöversikt



1. Borstvals
2. Valsaxel
3. Bruksanvisning
4. Lås-pinne
5. Skydd (skydd på riggrör)
6. Riggrör
7. Växelhus
8. Saxsprint
9. Riggrörskoppling (medföljer produkten)
10. Stängskydd

### Symboler på utrustningen och på kraftaggregatet



Vårdslös eller felaktig användning av tillbehöret kan resultera i allvarliga eller livshotande skador på användaren eller andra.



Läs igenom bruksanvisningen noggrant och se till att du förstår instruktionerna innan du använder tillbehöret.





Använd godkända hörselskydd. Använd godkänt ögonskydd. Använd en andningsmask när det finns risk för damm.



Utrustningen överensstämmer med gällande EG-direktiv.



Produkten överensstämmer med gällande brittiska direktiv.



Roterande delar. Akta händer och fötter. Pilen anger rotationsriktningen.



Använd alltid godkända skyddshandskar.



Använd halkfria och stadiga stövlar.



Varning för utslungade föremål och rikoschetter.



Användaren måste se till att inga människor eller djur kommer närmare än 15 m. När flera användare arbetar på samma plats måste ett säkerhetsavstånd på minst 15 m hållas. Utrustningen kan våldsamt kasta iväg föremål som kan studsas tillbaka. Detta kan leda till allvarliga ögonskador om inte rekommenderad skyddsutrustning används.



Håll ett avstånd på minst 15 m till personer och djur när du använder produkten.



Håll alla delar av din kropp borta från de heta ytorna.



Miljömärkning för bulleremission enligt direktiv och bestämmelser för EU och Storbritannien samt New South Wales-lagen "Protection of the Environment Operations (Noise Control) Regulation 2017". Produktens garanterade ljudeffektivnivå anges i *Tekniska data på sida 208* och på etiketten.

**Notera:** Övriga symboler/dekaler på tillbehöret avser specifika krav för certifieringar på vissa marknader.

## Säkerhet

### Säkerhetsdefinitioner

Varningar, försiktighetsåtgärder och anmärkningar används för att betona speciellt viktiga delar i bruksanvisningen.



**WARNING:** Används om det finns risk för skador eller dödsfall för föraren eller kringstående om anvisningarna i bruksanvisningen inte följs.



**OBSERVERA:** Används om det finns risk för skada på produkten och/eller tillbehör, annat material eller det angränsande området om anvisningarna i bruksanvisningen inte följs.

**Notera:** Används för att ge mer information som är nödvändig i en viss situation.

## Allmänna säkerhetsinstruktioner



**VARNING:** Läs varningsinstruktionerna nedan innan du använder tillbehöret.

- Läs igenom bruksanvisningen noggrant och se till att du förstär instruktionerna innan du använder tillbehöret.
- De här instruktionerna kompletterar de instruktioner som medföljde produkten. Övriga instruktioner finns i driftinstruktionerna för produkten.
- Tillbehörets ursprungliga utformning får inte under några omständigheter ändras utan tillstånd från tillverkaren. Använd inte ett tillbehör som verkar ha blivit ändrat av någon annan och använd alltid originaltillbehör. Icke auktoriserade ändringar och/eller tillbehör kan medföra allvarliga personskador eller dödsfall för föraren eller andra.

## Läs alla instruktioner



**VARNING:** När eldrivna trädgårdsmaskiner används ska säkerhetsreglerna alltid följas för att minska risken för eld, elektriska stötar och personskada. Detta innefattar följande:

## Säkerhetsinstruktioner för drift



**VARNING:** Läs varningsinstruktionerna nedan innan du använder produkten.

- Se till att förhindra oavsiktlig start vid montering, kontroll eller underhåll. Om du har en bensindriven produkt drar du bort tändhatten från tändstiftet. Om du har en batteridriven produkt tar du bort batteriet.
- Ibland fastnar gräs eller stenar i knivarna. Stäng alltid av motorn före rengöring.
- Varning för utslungade föremål. Bär alltid skyddsglasögon. Luta dig aldrig över borstvalsens. Stenar, skräp m.m. kan kastas upp i ögonen och vålla blindhet eller allvarliga skador.
- Under samt en stund efter användning kan växeln vara varm. Det finns risk för brännskada vid kontakt.
- Håll alltid ordentligt i produkten när du startar den.
- Även om borstvalsarna inte har samma kraft som t ex en gräsklipparkniv bör du undvika att arbeta med material som kan skada person eller egendom när det slungas ut.
- Använd aldrig produkten utan möjlighet att kunna påkalla hjälp i händelse av olycka.
- Använd endast produkten för det arbete den är avsedd för.
- Använd aldrig produkten om du är trött, om du har druckit alkohol eller om du tar mediciner

som kan påverka din syn, ditt omdöme eller din kroppskontroll.

- Använd aldrig produkten vid extrema klimatförhållanden såsom sträng kyla eller mycket varmt och/eller fuktigt klimat.
- Använd aldrig en produkt som är defekt. Följ säkerhets-, underhålls- och serviceinstruktioner i denna bruksanvisning. Vissa underhålls- och serviceåtgärder ska utföras av utbildade och kvalificerade specialister. Se anvisningar under rubriken Underhåll.
- Tillåt aldrig barn att använda produkten.
- Låt aldrig någon annan använda produkten utan att försäkra dig om att de har läst igenom och förstått innehållet i bruksanvisningen.
- Håll obehöriga på avstånd. Barn, djur, åskådare och medhjälpare ska befinna sig utanför säkerhetszonen på 15 meter när du arbetar. Stäng omedelbart av produkten om någon närmar sig arbetsplatsen.
- När du råkar ut för en situation som gör dig osäker angående fortsatt användning ska du rådfråga en expert. Kontakta din återförsäljare eller serviceverkstad.
- Undvik all användning du anser dig otillräckligt kvalificerad för.
- Iaktta omgivningen och var säker på att det inte finns risk att människor eller djur kan komma i kontakt med eller påverka din kontroll av skärutrustning.
- Var alltid uppmärksam på varningssignaler eller tillrop när hörselskydd används. Ta alltid av hörselskydden så snart motorn stannar.
- Undvik användning vid ogynnsamma väderleksförhållanden. Exempelvis tät dimma, kraftigt regn, hård vind eller stark kyla. Att arbeta i dåligt väder är tröttsamt och kan skapa farliga omständigheter, exempelvis halt underlag.
- Se till att du kan gå och stå säkert.



- Vid förflyttning ska produkten stängas av.
- Ställ inte ner produkten med motorn igång utan att du har uppsikt över den.
- Håll alltid produkten med båda händerna. Håll produkten vid sidan av kroppen.
- Se till att händer och fötter inte kommer åt borsten när motorn är i gång.
- När motorn stängts av ska du hålla händer och fötter borta från borsten tills den stannat helt.

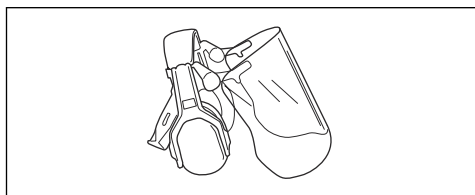
- Stanna produkten om starka vibrationer uppstår. Om du har en bensindriven produkt ska du koppla bort tändkabeln från tändstiftet. Om du har en batteridriven produkt tar du bort batteriet. Se till att produkten inte är skadad. Reparera eventuella skador.

## Personlig skyddsutrustning

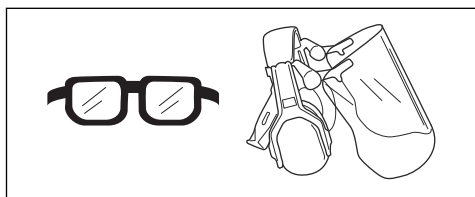


**WARNING:** Läs varningsinstruktionerna nedan innan du använder produkten.

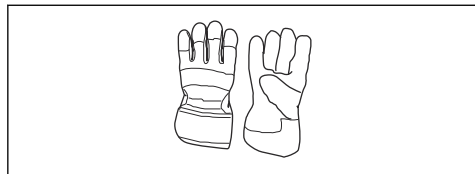
- Använd alltid godkänd personlig skyddsutrustning när du använder produkten. Personlig skyddsutrustning kan inte eliminera skaderisken helt, men den reducerar effekten av en skada vid ett eventuellt olyckstillbud. Be din återförsäljare om hjälp med att välja rätt utrustning.
- Använd godkända hörselskydd med tillräcklig dämpeffekt. Långvarig exponering för buller kan ge bestående hörselskador.



- Använd godkänt ögonskydd. Används visir måste även godkända skyddsglasögon användas. Godkända skyddsglasögon måste uppfylla standarden ANSI Z87.1 i USA eller SS-EN 166 i EU-länder.



- Använd handskar vid behov, till exempel när du ansluter, undersöker eller rengör skärutrustningen.



- Använd skyddsstövlar med stålhätta och halkfri såla.



- Ha på dig kläder i slitstarkt material. Bär alltid kraftiga långbyxor och överdel med långa ärmar. Använd inte löst sittande kläder som kan fastna i kvistar och grenar. Bär inte smycken, kortbyxor eller sandaler och gå inte barfota. Sätt upp håret ordentligt så att det inte hänger nedanför axlarna.
- Ha första förband nära till hands.



## Säkerhetsanordningar på tillbehöret



**WARNING:** Läs varningsinstruktionerna nedan innan du använder tillbehöret.

I det här avsnittet beskrivs säkerhetsutrustningen för tillbehöret, vilken funktion det har samt hur du utför kontroll och underhåll för att säkerställa att det fungerar. Se anvisningarna under rubriken *Tillbehörsöversikt på sida 202* för information om var de här delarna är placerade på tillbehöret.

Tillbehörets livslängd kan förkortas och risken för olyckor kan öka om underhåll av tillbehöret inte utförs på rätt sätt och om service och reparationer inte utförs av specialutbildade tekniker. Kontakta din serviceverkstad om du behöver ytterligare information.



**WARNING:** Använd aldrig ett tillbehör med defekta säkerhetskomponenter. Tillbehörets säkerhetsutrustning ska kontrolleras och underhållas som beskrivs i detta avsnitt. Om tillbehöret inte klarar alla kontroller ska serviceverkstad uppsökas för reparation.



**WARNING:** All service och reparation av produkten kräver specialutbildning. Detta gäller särskilt produktens säkerhetsutrustning. Om produkten inte klarar någon av nedan listade kontroller ska du uppsöka en serviceverkstad. Ett köp av någon av våra produkter garanterar att du kan få en fackmannamässig reparation och

service utförd. Om återförsäljaren som säljer produkten inte är en serviceverkstad kan du fråga dem om närmaste serviceverkstad.

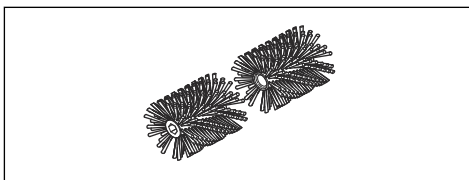
## Säkerhetsinstruktioner för underhåll



**VARNING:** Stanna alltid produkten innan du utför underhåll på tillbehöret. Var försiktig. Tillbehöret kan fortsätta att röra på sig efter att gasreglaget/-trycket har släppts. Se till att tillbehöret har stannat helt. Om du har en bensindriven produkt ska du koppla bort tändkablarna från tändstiftet. Om du har en batteridriven produkt tar du bort batteriet.

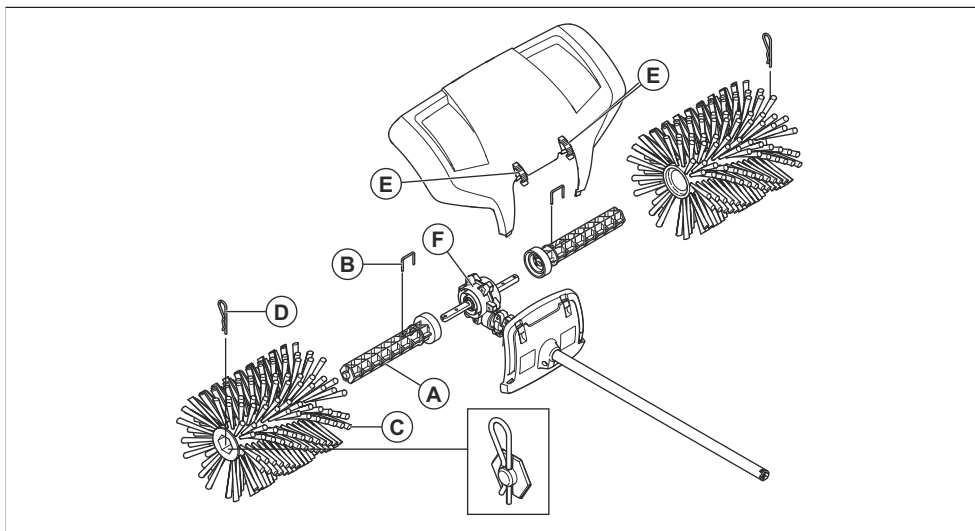
- Inspektera hela produkten innan du påbörjar arbetet. Byt ut skadade delar.

- Kontrollera att alla skydd och kåpor är hela och ordentligt fastsatta. Inspektera alla muttrar och skruvar.
- Om du har en bensindriven produkt ska du se till att det inte finns några bränsleläckage.
- Kontrollera att borstvalsarna inte har några sprickor eller andra skador.



## Montering

### Montera tillbehöret



1. Tryck ena valsaxeln (A) mot en av de två drivaxlarna som utgår från växelhuset (F). Roter vid behov valsaxeln tills sprinthatlet hamnar över motsvarande hål i drivaxeln.
2. Fäst valsaxeln med låsspringen (B).
3. Trä på en av borstvalsarna (C) på den monterade axeln. Tryck in valsen tills stopp.
4. Fäst valsen på axeln med en saxspring (D). Tryck in gaveln något vid monteringen.
5. Upprepa punkterna för att montera axel och rulle på motstående sida.
6. Montera stänkskyddet med hjälp av snäppfästena (E).

**Notera:** För montering av tillbehör på basprodukt, se basproduktens manual.

### Använda tillbehöret

1. Kör produkten på full (eller nästa full) gas/hastighet med borsten vilande på underlaget.

**Notera:** Det är både tröttsamt och onödigt att lyfta upp eller hålla borsten ovanför underlaget när du arbetar.

2. När du ska röja smala ytor, till exempel trottoarer, kan produkten användas så att den slungar ut materialet rakt framför dig. Om du vill köra bredare ytor kan du behöva arbeta i vinkel så att strängar bildas på sidan. Strängar bestående av lätt material kan samlas ihop till en enda rad eller hög för att senare hämtas, medan hårt eller mer skrymmande material kan behöva samlas ihop i flera strängar.



3. För att komma åt att köra i hörn kan du ta bort stänkskyddet, lossa tillbehörskopplingen och rotera tillbehöret ett halvt varv.



**VARNING:** När man vänder maskinen slungas skräp bakåt mot användaren. Använd lägre varvtal när du backar produkten och tänk på att den är lätt att snubbla över.

4. Håll en liten arbetsvinkel mot underlaget. Med en stor arbetsvinkel tenderar borsten att röra sig mot dig och du riskerar att tappa kontrollen över produkten.



## Underhåll

### Introduktion

Nedan följer några allmänna underhållsinstruktioner. Kontakta en serviceverkstad om du behöver ytterligare information.

### Underhålla tillbehöret



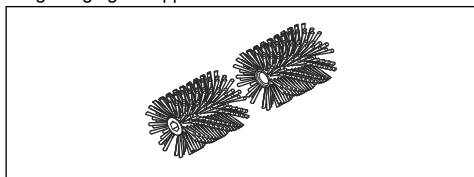
**OBSERVERA:** Tillbehöret fungerar under smutsiga förhållanden. Om du har en bensindriven produkt är det mycket viktigt att regelbundet underhålla

luftfiltret. Luftfiltret måste smörjas med olja för att fungera som det ska. Se kraftaggregatets användarhandbok för underhållsinstruktioner.



**VARNING:** Efter arbete med produkten blir växelhuset varmt. Ta ej på växeln för att undvika brännskador.

1. Kontrollera att borstvalsarna inte roterar när gasreglaget släpps.



2. Kontrollera att borstvalsarna är oskadade och inte har några sprickor. Byt borstvalsarna om det behövs.
3. Häng upp borsten vid längre tids förvaring.

---

## Transport, förvaring och kassering

---

### Transport och förvaring

Om du transporterar tillbehöret på ett annat fordon ska du alltid använda godkända fästansordningar och se till att tillbehöret sitter fast ordentligt.

Se till att tillbehöret är väl rengjort och att fullständig service är utförd före långtidsförvaring.

---

## Tekniska data

---

### Tekniska data för bensindrivna produkter

|  |              |
|--|--------------|
| <b>Kraftig borste</b>  | <b>BR600</b> |
| Sopvalsbredd, mm   | 597          |
| Sopvalsdiameter, mm  | 270          |
| <b>Vikt</b>  |              |
| Vikt, kg   | 5,3          |
| <b>Bulleremissioner</b> <sup>127</sup>   |              |
| Ljudeffektnivå, uppmätt dB(A)  | 106          |
| Ljudeffektnivå, garanterad L <sub>WA</sub> dB(A)   | 110          |
| <b>Ljudnivåer</b> <sup>128</sup>   |              |
| Ekvivalent ljudtrycksnivå vid användarens öra, uppmätt enligt EN ISO 22868, dB(A):                               | 94           |
| <b>Vibrationer</b> <sup>129</sup>  |              |
| Ekvivalent vibrationsnivå (a <sub>h<sub>v</sub>,eq</sub> ) i handtag, uppmätt enligt ISO 22867, m/s <sup>2</sup> |              |
| Främre/bakre handtag   | 3,7/6,2      |

---

<sup>127</sup> Emission av buller till omgivningen uppmätt som ljudeffekt (L<sub>WA</sub>) enligt EG-direktiv 2000/14/EG. Rapporterad ljudeffektnivå för maskinen har uppmätts med den originalskärutrustning som ger den högsta nivån. Skillnaden mellan garanterad och uppmätt ljudeffekt är att den garanterade ljudeffekten också inkluderar spridning i mätresultatet och variationen mellan olika maskiner av samma modell enligt direktiv 2000/14/EG.

<sup>128</sup> Rapporterade data för ekvivalent ljudtrycksnivå för maskinen har en typisk statistisk spridning (standardavvikelse) på 1 dB(A).

<sup>129</sup> Rapporterade data för ekvivalent vibrationsnivå har en typisk statistisk spridning (standardavvikelse) på 1 m/s<sup>2</sup>.



## Tekniska data för batteridrivna produkter

|   |           |
|---|-----------|
| <b>325iLK + Kraftig borste, tillbehör BR600</b>                       |           |
| Sopvalsbredd, mm  | 597       |
| Sopvalsdiameter, mm   | 270       |
| <b>Vikt</b>   |           |
| Vikt, kg  | 2,3 + 5,3 |
| <b>Bulleremissioner</b> <sup>130</sup>                                |           |
| Ljudeffektnivå, uppmätt dB(A)   | 90        |
| <b>Ljudnivåer</b> <sup>131</sup>                                      |           |
| Ljudtrycksnivå vid användarens öra mätt enligt ISO 22868, dB(A):      | 80        |
| <b>Vibrationer</b> <sup>132</sup>                                     |           |
| Vibrationsnivåer i handtagen mätt enligt EN 62841-1, m/s <sup>2</sup> |           |
| Utrustad med godkänt tillbehör (original), vänster/höger              | 3,3/3,1   |

<sup>130</sup> Rapporterade data för ljudtrycksnivå för maskinen har en typisk statistisk spridning (standardavvikelse) på 3 dB(A) och har mätts med det originaltillbehör som ger den högsta nivån.

<sup>131</sup> Rapporterade data för ljudtrycksnivå för maskinen har en typisk statistisk spridning (standardavvikelse) på 3 dB(A) och har mätts med det originaltillbehör som ger den högsta nivån.

<sup>132</sup> Rapporterade data för vibrationsnivåer har en typisk statistisk spridning (standardavvikelse) på 2 m/s<sup>2</sup>. Vid jämförelse av vibrationsnivåer mellan batteri- och förbränningsdrivna produkter används vibrationsberäknaren på <https://www.husqvarna.com/uk/services-solutions/vibration-calculator/>.

---

# Försäkran om överensstämmelse

---

## EU-försäkran om överensstämmelse

Vi, **Husqvarna AB**, 561 82 Huskvarna, Sverige, tel:  
+46-36-146500, försäkrar på eget ansvar att produkten:

|                      |                                      |
|----------------------|--------------------------------------|
| <b>Beskrivning</b>   | Borstillsats                         |
| <b>Varumärke</b>     | Husqvarna                            |
| <b>Typ/Modell</b>    | BR600                                |
| <b>Identifiering</b> | Serienummer daterade 2022 och framåt |

uppfyller alla krav i följande EU-direktiv och förordningar:

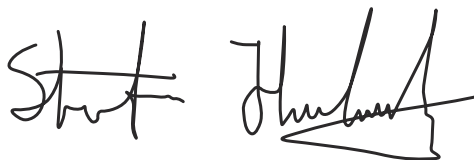
| <b>Direktiv/förordning</b> | <b>Beskrivning</b>   |
|----------------------------|--|
| 2006/42/EG                 | "om maskiner"  |
| 2000/14/EC                 | "angående emission av buller till omgivningen"   |
| 2011/65/EU                 | "angående begränsning av användning av vissa farliga ämnen i elektrisk och elektronisk utrustning" |

och att följande standarder och/eller tekniska  
specifikationer tillämpas: EN ISO 12100:2010, EN IEC  
63000:2018

RISE SMP Svenska Maskinprovning AB, Box 7035,  
SE-750 07 Uppsala, Sweden har utfört frivillig typkontroll  
på uppdrag av Husqvarna AB.

Certifikatnummer: SEC/15/2412

Huskvarna, 2022-03-29



Stefan Holmberg, R&D Director, Technology  
Management, Husqvarna AB

Ansvarig för teknisk dokumentation



## İçindekiler

|               |     |                               |     |
|---------------|-----|-------------------------------|-----|
| Giriş.....    | 211 | Bakım.....                    | 216 |
| Güvenlik..... | 212 | Taşıma, depolama ve atma..... | 217 |
| Montaj.....   | 215 | Teknik veriler.....           | 217 |
| Çalışma.....  | 216 | Uyumluluk Bildirimi.....      | 219 |

## Giriş

### Ürün açıklaması

Sahip olduğumuz sürekli ürün geliştirme politikamız nedeniyle önceden bildirimde bulunmaksızın ürünlerin tasarımı ve görünümü ile ilgili değişiklikler yapma hakkını saklı tutarız.

**Not:** Bu kılavuzda, hem benzinle hem de aküyle çalışan güç üniteleri ele alınmaktadır.

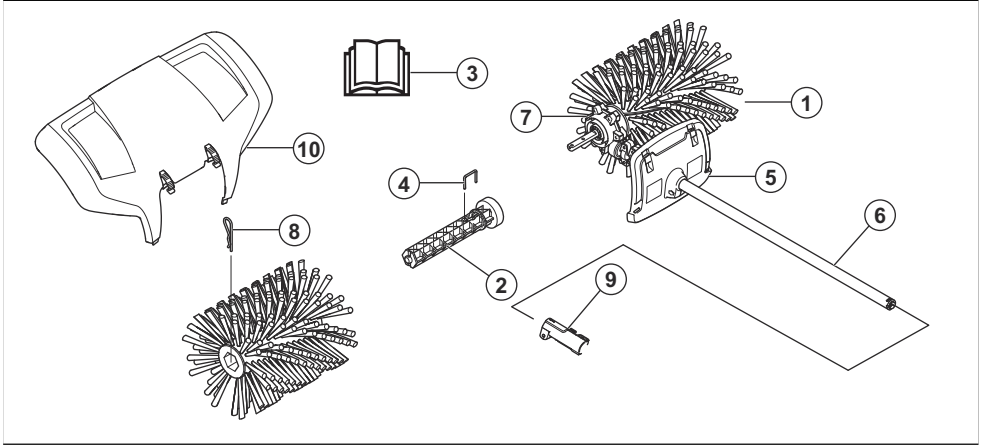
### Kullanım amacı



**UYARI:** Bu ataşman yalnızca ilgili ürünle birlikte kullanılabilir, ürünün Kullanım Kılavuzu'ndaki aksesuar bölümüne bakın.

Ataşman yalnızca patika, asfalt yol ve benzeri yerleri süpürmek için tasarlanmıştır.

### Ataşmana genel bakış



1. Tambur fırça
2. Tambur aksı
3. Kullanım kılavuzu
4. Kilit pimi
5. Siperlik (Mil üzerindeki koruma)
6. Mil
7. Dişli yuvası
8. Kopilya
9. Mil bağlantısı (ürünle birlikte verilir)
10. Sıçrama siperliği

### Ataşman ve güç ünitesindeki semboller



Bu ataşmanın dikkatsiz veya hatalı kullanımı operatörde ya da başka kişilerde ciddi veya ölümcül yaralanmalara neden olabilir.



Kullanım kılavuzunu dikkatle okuyun ve ataşmanı kullanmadan önce talimatları anladığınızdan emin olun.



Onaylı kulak koruma ekipmanı kullanın.  
Onaylı koruyucu gözlük kullanın. Toz riski varsa solunum maskesi kullanın.



Bu ataşmanın yürürlükteki AT direktiflerine uygundur.



Bu ürün yürürlükteki Birleşik Krallık yönetmeliklerine uygundur.



Döner parçalar. Ellerinizi ve ayaklarınızı uzak tutun. Ok, dönme yönünü gösterir.



Her zaman onaylı koruyucu eldivenler giyin.



Sağlam, kaymaz botlar giyin.



Fırlayan ve seken nesnelere dikkat edin.



Operatör hiçbir insan veya hayvanın 15 m'den fazla yaklaşmadığından emin olmalıdır. Aynı sahada birden fazla operatör çalışıyorsa en az 15 m güvenlik mesafesi uygulanmalıdır. Ataşman, geriye sıçrayabilecek nesnelere güçlü bir şekilde fırlatabilir. Bu, önerilen güvenlik donanımı kullanılmazsa ciddi göz yaralanmalarına neden olabilir.



Ürünü kullanırken başka kişilerle ve hayvanlarla aranızda en az 15 m/50 ft mesafe bırakın.



Vücudunuzun tüm bölümlerini sıcak yüzeylerden uzak tutun.



AB ve BK direktifleri ile düzenlemeleri ve Yeni Güney Galler mevzuatı "Çevre Koruma Operasyonları (Gürültü Kontrolü) Yönetmeliği 2017" uyarınca çevreye yayılan gürültü emisyonu etiketi. Ürünün garantili ses gücü düzeyi *Teknik veriler sayfasında: 217* ve etiketin üstünde belirtilmektedir.

**Not:** Ataşmanın üzerindeki diğer semboller/etiketler, belirli pazarların sertifikalandırma gereklilikleri ile ilgilidir.

## Güvenlik

### Güvenlik tanımları

Kullanım kılavuzundaki önemli kısımları vurgulamak için uyarılar ve notlar kullanılmıştır.



**UYARI:** Kılavuzdaki talimatlara uyulmadığı takdirde operatör veya çevredeki kişiler için ciddi yaralanma veya ölüm tehlikesi varsa kullanılır.



**DİKKAT:** Kılavuzdaki talimatlara uyulmadığı takdirde ürünün ve/veya ataşmanın, diğer malzemelerin ya da

çevrenin zarar görme riski olduğunda kullanılır.

**Not:** Belirli bir durumda bilgi verilmesi gerektiğinde kullanılır.

### Genel güvenlik talimatları



**UYARI:** Ataşmanı kullanmadan önce aşağıdaki güvenlik talimatlarını okuyun.

- Lütfen kullanım kılavuzunu dikkatle okuyun ve ataşmanı kullanmadan önce talimatları anladığınızdan emin olun.
- Bu talimatlar ürünle birlikte verilen talimatları tamamlar. Diğer işlemler için lütfen ürün çalıştırma talimatlarına bakın.
- Üreticinin izni alınmadan ataşman tasarımında hiçbir şekilde değişiklik yapılamaz. Başkaları tarafından üzerinde değişiklik yapılmış gibi görünen bir ataşmanı kullanmayın ve her zaman orijinal aksesuarları kullanın. Onaylanmayan değişiklikler ve/veya aksesuarlar operatörler veya diğerleri için ciddi kişisel yaralanmalara veya ölüme yol açabilir.

## Tüm talimatları okuyun



**UYARI:** Yangın, elektrik şoku ve/veya kişisel yaralanma riskini azaltmak için elektrikli bahçe cihazlarını kullanırken aşağıdakiler dahil olmak üzere temel güvenlik önlemlerine daima uyulmalıdır:

## Kullanım için güvenlik talimatları



**UYARI:** Ürünü kullanmadan önce aşağıdaki uyarı talimatlarını okuyun.

- Montaj, kontrol ve/veya bakım sırasında istenmeyen çalıştırmaları önlediğinizden emin olun. Benzinle çalışan bir ürününüz varsa buji kapağının buji ile bağlantısını kesin. Aküyle çalışan bir ürününüz varsa aküyü çıkarın.
- Çimen ve taşlar bazen çatal dişlerine takılabilir. Temizleme yaparken motoru daima durdurun.
- Savrulan nesnelere dikkat edin. Daima koruyucu gözlük takın. Asla tambur fırçasını üzerine eğilmeyin. Taşlar, çöpler vs. gözlelere fırlatabilir ve körlüğe veya ciddi yaralanmalara neden olabilir.
- Kullanım sırasında dışı ısınabilir ve kullanımdan sonra bir süre sıcak kalabilir. Dokunursanız yanabilirsiniz.
- Ürünü başlatırken sıkıca tutun.
- Tambur fırçalar çim biçme makineleriyle aynı güçte olmasa da, örneğin, fırladığında yaralanmaya veya mal zararına neden olabilecek maddelerle çalışmamalısınız.
- Bir kaza durumunda yardım isteyemeyecekseniz ürünü kullanmayın.
- Ürünü yalnızca hedeflenen amaç için kullanın.
- Yorgunsanız, alkol aldıysanız veya görüşünüzü, karar verme yetinizi ya da koordinasyonunuzu etkileyebilecek ilaçlar alıyorsanız ürünü asla kullanmayın.
- Ürün aşırı soğuk, aşırı sıcak ve/veya nemli iklimler gibi ağır hava koşullarında asla kullanmayın.
- Arızalı bir ürünü kesinlikle kullanmayın. Bu kılavuzda belirtilen güvenlik kontrolleri ile bakım ve servis talimatlarına uyun. Bazı bakım ve servis işlemlerinin

sadece yetkili ve kalifiye teknisyenler tarafından yapılması gerekir. Bakım başlığı altındaki talimatlara bakın.

- Çocukların ürünü kullanmasına asla izin vermeyin.
- Kullanım kılavuzunun içindeki bilgileri tam olarak okuyup anladığınızdan emin olmadığınız kişilerin ürünü kullanmasına kesinlikle izin vermeyin.
- Yetkili olmayan kişileri uzakta tutun. Çalışırken çocuklar, hayvanlar, izleyenler ve yardımcı olan kişiler 15 m'lik güvenlik bölgesinin dışında tutulmalıdır. Herhangi biri yaklaşırsa ürünü derhal durdurun.
- Nasıl devam etmeniz gerektiği konusunda emin olmadığınız bir durumla karşılaşırsanız bir uzmana danışmalısınız. Bayiniz veya servis atölyenizle iletişime geçin.
- Yapabileceğinizin ötesinde olduğunu düşündüğünüz hiçbir çalışmayı yapmayın.
- Çevrenize dikkat edin ve insanların veya hayvanların ürünüle temas etme ya da ürün üzerindeki kontrolünüzü etkileme riski olmadığından emin olun.
- Kulak koruma aygıtı taktığınızda, uyarı sinyalleri veya bağırma seslerini dinleyiniz. Motor durur durmaz kulak koruma ekipmanınızı hemen çıkarın.
- Yoğun sis, sağanak yağış, şiddetli rüzgar, aşırı soğuk gibi kötü hava koşullarında ürünü kullanmayın. Kötü hava koşullarında çalışmak yorucudur ve beraberinde buzlu zemin gibi ilave riskler getirir.
- Güvenli bir şekilde hareket edebildiğinizden ve ayakta durabildiğinizden emin olunuz.



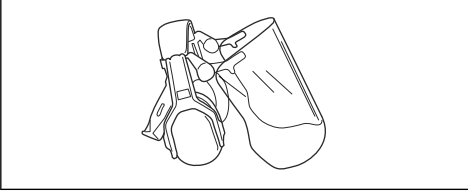
- Hareket etmeden önce ürünün kapatılması gerekir.
- Görüş alanınızda değilken ürünü motor çalışır halde yere koymayın.
- Ürünü tutmak için her zaman iki elinizi birden kullanın. Ürünü vücudunuzun yan tarafında tutun.
- Motor çalışırken ellerinizi ve ayaklarınızı fırçaya yaklaştırmayın.
- Motor kapatıldığında, fırça tamamen durana kadar ellerinizi ve ayaklarınızı fırçadan uzak tutun.
- Şiddetli titreşim olursa ürünü durdurun. Benzinle çalışan bir ürününüz varsa HT kablosunu bujiden çıkarın. Aküyle çalışan bir ürününüz varsa aküyü çıkarın. Ürünün zarar görmemiş olduğundan emin olun. Hasarları tamir edin.

## Kişisel koruyucu ekipman

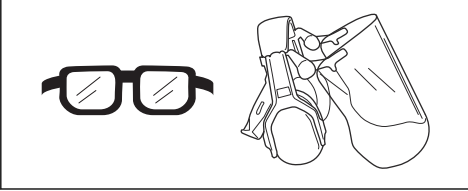


**UYARI:** Ürünü kullanmadan önce aşağıdaki uyarı talimatlarını okuyun.

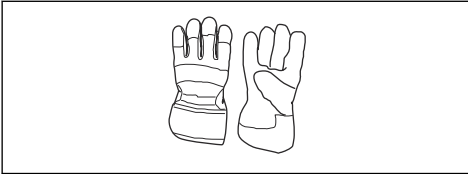
- Ürünü kullanırken daima onaylı kişisel koruyucu ekipmanları kullanın. Kişisel koruyucu ekipmanlar yaralanma riskini tamamen engelleyemez ancak bir kaza durumunda yaralanmanın derecesini azaltır. Bayinizin doğru ekipmanı seçmenize yardımcı olmasını sağlayın.
- Yeterli gürültü azaltması sağlayan onaylı kulak koruma ekipmanını kullanın. Uzun süre gürültüye maruz kalınması sürekli işitme bozukluğuna yol açabilir.



- Onaylı koruyucu gözlük kullanın. Vizör kullanıyorsanız onaylı koruma gözlüğü de kullanmanız gerekir. Onaylı koruma gözlükleri ABD'de ANSI Z87.1, AB ülkelerinde EN 166 standardıyla uyumlu olmalıdır.



- Kesme donanımını takma, kontrol etme veya temizleme gibi eldiven gerektiren durumlarda eldiven kullanın.



- Çelik burunlu ve kaymaz tabanlı koruyucu botlar kullanın.



- Sağlam kumaştan yapılmış kıyafetler kullanın. Daima kalın ve uzun pantolonlarla uzun kollu kıyafetler kullanın. Çallara ve dallara takılabilecek bol kıyafetler kullanmayın. Takı takmayın; şort, sandalet giymeyin veya çıplak ayakla dolaşmayın. Saçınızı güvenli bir şekilde omuz hizasının üzerinde toplayın.
- İlk yardım ekipmanını yakında bulundurun.



## Ataşman üzerindeki güvenlik araçları



**UYARI:** Ataşmanı kullanmadan önce aşağıdaki uyarı talimatlarını okuyun.

Bu bölümde ataşmanın güvenlik özellikleri, amacı ve ataşmanın düzgün çalışması için bakım ve kontrollerin nasıl yürütülmesi gerektiği açıklanmaktadır. Bu parçaların ataşmanınizin neresinde bulunduğunu görmek için *Ataşmana genel bakış sayfa: 211* başlığı altındaki talimatları okuyun.

Ataşman bakımı doğru şekilde yapılmazsa ve servis ve/veya onarım işlemleri profesyonel olarak gerçekleştirilmezse ataşmanın kullanım ömrü azalabilir ve kaza riski artabilir. Daha fazla bilgiye ihtiyacınız olursa lütfen en yakın servis bayisiyle iletişime geçin.



**UYARI:** Güvenlik bileşenleri kusurlu olan bir ataşmanı asla kullanmayın. Ataşmanın güvenlik ekipmanı bu bölümde açıklandığı gibi kontrol edilmeli ve bakıma alınmalıdır. Ataşmanızın bu kontrollerden herhangi birini geçemezse onarım için servis noktanızla iletişime geçin.



**UYARI:** Ürünün servis ve onarım işlemlerinin tümü özel eğitim gerektirir. Bu durum özellikle ürünün güvenlik donanımı için geçerlidir. Ürününüz aşağıda açıklanan kontrollerin herhangi birinden başarıyla geçemezse servis noktanızla iletişime

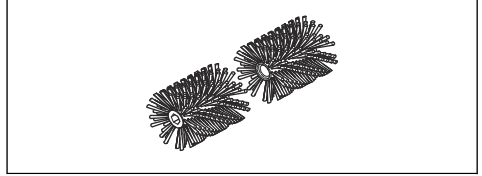
geçmeniz gerekir. Herhangi bir ürünümüzü satın aldığınızda profesyonel tamir ve servis hizmetlerinin mevcut bulunduğunu garanti etmekteyiz. Ürünümüzü satan bayi bir servis bayisi değilse size en yakın servis noktasının adresini sorun.

## Bakım için güvenlik talimatları



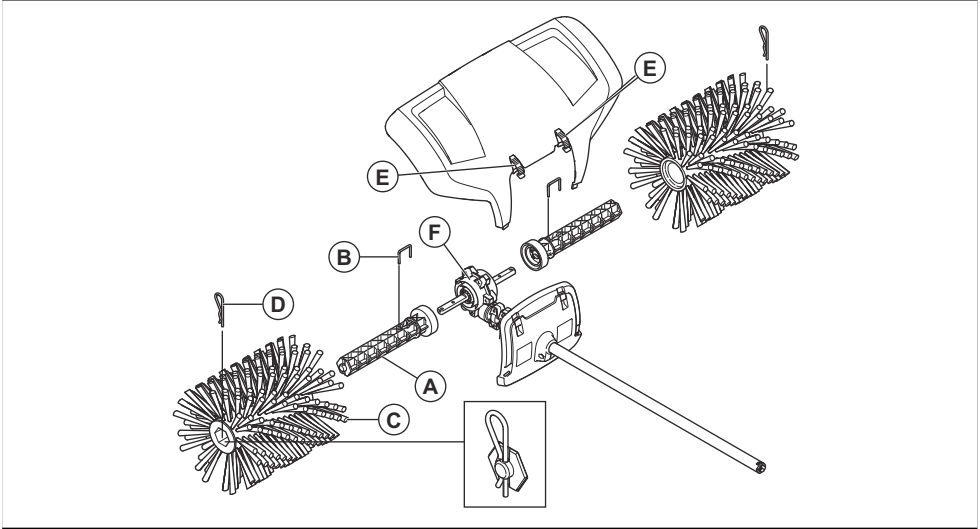
**UYARI:** Ataşmada bakım yapmadan önce daima ürünü durdurun. Dikkatli olun; ataşman, gaz/güç tetiği serbest bırakıldıktan sonra hareket etmeye devam edebilir. Ataşmanın tamamen durdurulduğundan emin olun. Benzinle çalışan bir ürününüz varsa HT kablolarını bujiden çıkarın. Aküyle çalışan bir ürününüz varsa aküyü çıkarın.

- Başlamadan önce ürünü tamamen kontrol edin. Hasarlı parçaları değiştirin.
- Siperliklerin ve kapakların tamamının yerinde olup olmadığını ve doğru şekilde takılıp takılmadığını kontrol edin. Tüm somunları ve vidaları inceleyin.
- Benzinle çalışan bir ürününüz varsa yakıt sızıntısı olmadığından emin olun.
- Tambur fırçasının hasarlı olup olmadığını ve çatlama ya da benzeri bir hasar belirtisi gösterip göstermediğini kontrol edin.



## Montaj

### Ataşmanı monte etme



1. Tambur akslarından (A) birini dişli kovanından (F) çıkan iki hareket milinden birine doğru bastırın. Pim deliğinin hareket milindeki ilgili deliğin üzerine gelmesi için gerekirse tambur aksını döndürün.
2. Silindiri milini kilit pimiyle (B) sabitleyin.
3. Fırça silindirlerinden (C) birini monte edilen milin üzerine yerleştirin. Yerine oturana kadar silindiri bastırın.
4. Mil üzerindeki silindiri bir kamayla (D) sabitleyin. Monte ederken ucu hafifçe bastırın.
5. Diğer taraftaki aksı ve silindiri monte etmek için bu adımları tekrarlayın.
6. Sıçrama korumasını çıtçılarla (E) monte edin.

**Not:** Aksesuarları temel ürüne monte etmek için temel ürün kılavuzuna bakın.

## Çalışma

### Ataşmanı kullanma

1. Fırça yüzeye dayanmış durumdayken ürünü tam gaz/hızda (veya tam gaza/hıza yakın) çalıştırın.

**Not:** Çalışırken fırçayı kaldırmak veya zeminin yukarısında tutmak, hem yorucu hem de gereksizdir.

2. Patika gibi dar yüzeyleri temizlerken ürün, nesnelere önünüze atacak şekilde kullanılabilir. Daha geniş yüzeylerde çalışmak istiyorsanız çöplerin bir tarafta birikmesi için açılı şekilde çalışmak isteyebilirsiniz. Hafif maddelerden oluşan çöpler tek sıra veya yığın halinde toplanarak kaldırılabilir. Ağır veya büyük maddelerin birkaç defada toplanması gerekebilir.



3. Köşelere ulaşmak için sıçrama korumasını çıkarın ve aksesuar kuplajını gevşetip aksesuarı yarım tur döndürün.



**UYARI:** Sonra, çöpler kullanıcıya doğru fırlatılır. Ürünle geri manevra yaparken daha düşük bir hız kullanın ve ürünün kolayca devrilebileceğini unutmayın.

4. Yüzeye yapılan çalışma açısını küçük tutun. Çalışma açısı çok büyük olursa süpürücü size doğru hareket edebilir ve ürünün kontrolünü kaybedebilirsiniz.



## Bakım

### Giriş

Aşağıda bazı genel bakım talimatlarını bulabilirsiniz. Daha fazla bilgiye ihtiyaç duyarsanız lütfen servisle irtibata geçin.

### Aksesuarda bakım yapma



**DİKKAT:** Aksesuar kirli koşullarda çalışır. Benzinle çalışan bir ürününüz varsa hava filtresinin bakımını düzenli olarak yapmak çok önemlidir. Hava filtresinin tatmin edici şekilde çalışması için yağ ile

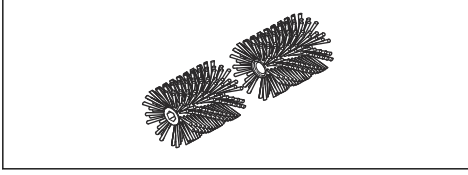
yağlanması gerekir. Bakım talimatları için güç ünitesinin kullanım kılavuzuna bakın.



**UYARI:** Ürün kullanılırken dişli kovani ısınır. Kendinizi yakmaktan sakınmak için dişli kovana dokunmayın.



1. Gaz/güç tetiği serbest bırakıldığında tambur fırçaların hareket edip etmediğini kontrol edin.



2. Tambur fırçaların hasarlı veya çatlamış olup olmadığını kontrol edin. Gerekirse tambur fırçaları değiştirin.
3. Fırçayı uzun süre saklayacaksanız asarak saklayın.

## Taşıma, depolama ve atma

### Taşıma ve depolama

Ataşmanı başka bir araç üzerinde taşıyorsanız daima onaylı sabitleme cihazlarını kullanın ve ataşmanın güvenli şekilde tutulduğundan emin olun.

Uzun süreli depolama öncesinde ataşmanın temizlendiğinden ve tam bir servis işleminin gerçekleştirildiğinden emin olun.

## Teknik veriler

### Benzinle çalışan ürünler için teknik veriler

|  |              |
|--|--------------|
| <b>Sert kıllı fırça</b>  | <b>BR600</b> |
| Tambur fırça genişliği, mm   | 597          |
| Tambur fırça çapı, mm  | 270          |
| <b>Ağırlık</b>   |              |
| Ağırlık, kg  | 5,3          |
| <b>Gürültü yayma</b> <sup>133</sup>  |              |
| Ses gücü seviyesi, ölçülmüş dB (A)   | 106          |
| Ses gücü seviyesi, L <sub>WA</sub> dB (A) garantili  | 110          |
| <b>Ses seviyeleri</b> <sup>134</sup>   |              |
| EN ISO 22868'e göre ölçülen operatörün kulağında oluşan eşdeğer ses basınç düzeyi, dB (A):                       | 94           |
| <b>Titreşimler</b> <sup>135</sup>  |              |
| ISO 22867 uyarınca ölçülen tutma yerlerindeki eşdeğer titreşim düzeyleri (a <sub>nv,eq</sub> ), m/s <sup>2</sup> |              |
| Ön/arka tutma yerleri  | 3,7/6,2      |

<sup>133</sup> 2000/14/AT sayılı AT direktifi uyarınca ses gücü (L<sub>WA</sub>) olarak çevrede ölçülen gürültü yayma seviyesi. Makine için bildirilen ses seviyesi, en yüksek seviyeyi veren orijinal kesme donanımıyla ölçülmüştür. Garanti edilen ve ölçülen ses düzeyi arasındaki fark, garantili ses gücünün 2000/14/AT Sayılı Direktif doğrultusunda ölçüm sonucundaki dağılımı ve aynı modelden farklı makineler arasındaki değişimleri de içermesidir.

<sup>134</sup> Makinenin eşdeğer ses basıncı düzeyi için bildirilen verilerdeki tipik istatistik dağılımı (standart sapma) 1 dB (A) şeklindedir.

<sup>135</sup> Eş değer titreşim seviyesi için bildirilen verilerin tipik istatistik dağılımı (standart sapması) 1 m/s<sup>2</sup> şeklindedir.

## Aküyle çalışan ürünler için teknik veriler

|   |         |
|---|---------|
| <b>325iLK + Sert kılı fırça ataşmanı BR600</b>                                      |         |
| Tambur fırça genişliği, mm  | 597     |
| Tambur fırça çapı, mm   | 270     |
| <b>Ağırlık</b>  |         |
| Ağırlık, kg   | 2,3+5,3 |
| <b>Gürültü yayma</b> <sup>136</sup>   |         |
| Ses gücü seviyesi, ölçülmüş dB (A)  | 90      |
| <b>Ses seviyeleri</b> <sup>137</sup>  |         |
| ISO 22868'e göre ölçülen operatörün kulağında oluşan ses basıncı seviyesi, dB (A):  | 80      |
| <b>Titreşimler</b> <sup>138</sup>   |         |
| EN 62841-1 uyarınca, tutma yerlerinde ölçülen titreşim düzeyleri, m/sn <sup>2</sup> |         |
| Onaylı aksesuarla (orijinal) donatılmış, sol/sağ                                    | 3,3/3,1 |

<sup>136</sup> Makinenin ses gücü seviyesi için bildirilen verilerdeki tipik istatistik dağılım (standart sapma) 3 dB (A) şeklindedir ve en yüksek seviyeyi veren orijinal ataşmanla ölçülmüştür.

<sup>137</sup> Makinenin ses basıncı seviyesi için bildirilen verilerdeki tipik istatistik dağılım (standart sapma) 3 dB (A) şeklindedir ve en yüksek seviyeyi veren orijinal ataşmanla ölçülmüştür.

<sup>138</sup> Titreşim düzeyi için bildirilen verilerin tipik istatistik dağılımı (standart sapması) 2 m/sn<sup>2</sup> şeklindedir. Akü ve yakıtla çalışan ürünlerin titreşim seviyelerini karşılaştırmak için titreşim hesaplayıcıyı kullanın. <https://www.husqvarna.com/tr/servisler-ve-cozumler/titreşim-hesaplayici/>.

# Uyumluluk Bildirimi

## AB Uyumluluk Bildirimi

Biz, **Husqvarna AB**, SE-561 82 Huskvarna, İsveç, tel: +46-36-146500 olarak tek sorumlu vasfıyla ürüne ilişkin aşağıdaki beyanlarda bulunmaktayız:

|                  |   |
|------------------|---|
| <b>Açıklama</b>  | Sert fırça ataşmanı                     |
| <b>Marka</b>     | Husqvarna                               |
| <b>Tip/Model</b> | BR600                                   |
| <b>Kimlik</b>    | 2022 ve sonrası tarihli seri numaraları |

aşağıdaki AB direktifleri ve yönetmelikleriyle tamamen uyumludur:

| Direktif/Düzenleme | Açıklama   |
|--------------------|--|
| 2006/42/AT         | "makinelele ilgili"  |
| 2000/14/AT         | "çevredeki gürültü emisyonlarıyla ilgili"  |
| 2011/65/AB         | "elektrikli ve elektronik ekipmanlarda belirli tehlikeli maddelerin kullanımının kısıtlanmasına ilişkin" |

ve aşağıdaki standartlar ve/veya teknik özellikler uygulanmıştır: EN ISO 12100:2010, EN IEC 63000:2018

RISE SMP Svenska Maskinprovning AB, Box 7035, SE-750 07 Uppsala, Sweden, Husqvarna AB adına gönüllü olarak tip incelemesi gerçekleştirmiştir.

Sertifika numarası: SEC/15/2412

Huskvarna, 2022-03-29

Stefan Holmberg, AR-GE Direktörü, Teknoloji Yönetimi, Husqvarna AB

Teknik dokümantasyon sorumlusu

Türk ithalat şirketi daha fazla bilgi için temas edilecek:

Çullas Orman Bahçe ve Tarım Mak. San. Tic. A.Ş.

Suadiye Mh. Bağdat Cd. No:455/4

Kadıköy – 34740 İstanbul / Türkiye

Telefon: +90 216 519 88 82

Faks: +90 216 519 88 78

info@cullas.com.tr



# 内容

|          |     |                 |     |
|----------|-----|-----------------|-----|
| 引言.....  | 220 | 维护.....         | 225 |
| 安全性..... | 221 | 运输、存放和废弃处理..... | 225 |
| 安装.....  | 224 | 技术参数.....       | 225 |
| 操作.....  | 224 | 一致性声明.....      | 227 |

# 引言

## 产品说明

连续开发产品是我们的政策，因此我们保留修改产品设计和外观的权利，恕不事先通知。

**注意：** 本手册涵盖了汽油驱动型和电池驱动型动力装置。

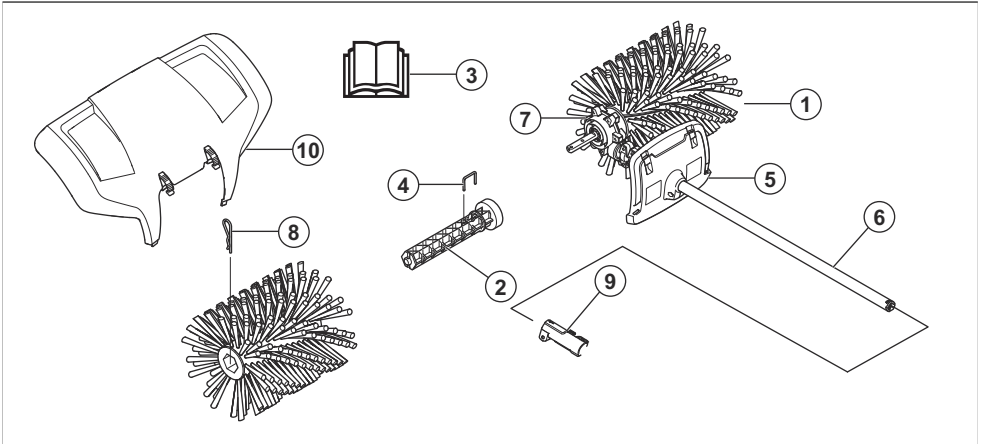
## 预期用途



**警告：** 本附件仅可与指定产品配套使用，详情请参阅产品《操作手册》中的“附件”一章。

本附件仅适用于清扫小路、沥青路和类似区域。

## 产品概览



1. 刷鼓
2. 刷鼓轴
3. 操作手册
4. 锁紧销
5. 防护罩（保护驱动轴）
6. 刀轴
7. 齿轮箱
8. 开口销
9. 联轴节（随产品提供）
10. 防溅罩

## 附件和动力装置上的符号



使用本产品时疏忽大意或使用不当有可能导致操作人员或其他人员受到严重或致命伤害。



请认真阅读操作手册，确保在充分理解各项说明之后再使用附件。



请使用获得批准的听觉保护装备。请使用获得批准的眼部防护装备。如果可能产生扬尘，请佩戴通气口罩。



本附件符合适用的 EC 指令的要求。



本产品符合适用的英国法规。



本产品运行期间，应与人员和动物保持至少 15 m/50 ft 的距离。



回转部件。确保四肢远离机器。箭头指示了旋转方向。



保持身体部位远离高温表面。



务必戴上检验合格的防护手套。



对环境的噪音排放的标签符合欧盟指令、英国指令和新南威尔士州法规“2017 年环境行动（噪音控制）保护法规”的要求。本产品的保证声功率级在标签中 *技术参数* 在第 225 页上和该标签上均有注明。



穿上坚固的防滑靴。

**注意：** 有关本附件上的其他符号/标识，请参阅适用于特定市场的特殊认证要求。



注意抛掷物和反弹物。



操作员必须确保 15 米范围内无任何人员或动物。多名操作员在同一现场工作时，彼此之间必须保持至少 15 米的安全距离。本附件可能会以很大的力量抛出物体，这些物体可能反弹回来。如果未使用建议的安全装备则可能会导致眼部严重受伤。

## 安全性

### 安全定义

本操作手册使用了“警告”、“小心”和“注释”来指出特别重要的内容。



**警告：** 当不遵守手册中的说明可能会给操作员或周围人员带来伤害或死亡风险时，会使用此标志。

- 这些说明是对本产品随附说明文件的补充。如需了解其他步骤，请参考本产品的操作说明。
- 任何情况下，未经制造厂的许可，不得修改本产品的的设计。请勿使用似乎已被他人改动过的附件，并且一定要使用原厂附件。未经许可擅自修改，或使用未经认可的附件，可能会对操作员或其他人员造成严重的伤害或死亡。



**小心：** 当不遵守手册中的说明可能会对产品和/或附件、其他材料或附近区域造成损坏时，会使用此标志。



**警告：** 使用电动园艺设备时，务必遵循基本的的安全注意事项以降低失火、电击和人身伤害危险，包括以下注意事项：

**注意：** 用于提供特定状况下所需的更多信息。

### 操作安全须知

#### 一般安全须知



**警告：** 请在使用本产品前阅读下面的安全须知。



**警告：** 请在使用本产品前阅读下面的警告说明。

- 请认真阅读操作手册，确保在充分理解各项说明之后再使用本产品。

- 确保在组装、检查和/或执行维护时防止意外启动。如为汽油驱动型产品，请断开火花塞上的火花塞线帽。如为电池供电型产品，请取下电池。
- 有时，草或石块可能会卡入耕叉中。清洁时务必停止引擎/马达运行。

- 注意抛掷物。始终佩戴眼部保护设备。切勿翻转刷鼓。石头、垃圾等会抛入眼中，导致失明或严重伤害。
- 使用过程中，齿轮可能会发热，并在之后一段时间仍有余热。触摸可能会烧伤。
- 启动时，紧紧握住本产品。
- 例如，尽管刷鼓没有草坪机锯片的作用力厉害，您也应当避免接触被抛出的材料，以免造成人身伤害或财物损坏。
- 如果发生事故时无法求救，请勿使用本产品。
- 仅将产品用于指定的用途。
- 感到疲劳时，或者在饮酒或曾服用可能会影响视力、判断力或协调能力的药物后，请勿操作本产品。
- 切勿在极端天气条件下使用本产品，如严寒、酷热和/或潮湿气候条件下。
- 禁止使用有故障的产品。按照本手册中的说明进行安全检查、维修和保养。部分维修和保养措施必须由受过培训并有相应资质的专家进行。请参阅“维修和保养”一节的说明。
- 严禁儿童使用本产品。
- 在事先未确定其他人是否阅读和理解了本操作手册的内容之前，禁止其使用本产品。
- 未经授权的人员不得靠近。在您工作时，应保持儿童、动物、旁观者和助手在 15 米的安全区以外。如有人靠近，立即关停产品。
- 当您遇到任何情况，不知如何继续时，请咨询专家。与您的经销商或保养厂联系。
- 避免任何超出您能力范围的使用。
- 观察您的周围，确保不存在人或动物接触或影响您控制本产品的风险。
- 戴有听觉保护设备时，请留意警告信号或呼喊声。一旦引擎/马达停机，便取下听觉保护设备。
- 避免在恶劣的天气情况下使用本产品，如浓雾、暴雨、强风、严寒等。在恶劣的天气情况下工作容易让人疲倦，往往会带来额外风险，如湿滑的地面。
- 确保您可以安全地移动与站立。



- 移动本产品前，必须先关闭设备。
- 请勿在引擎/马达运转的情况下放下本产品，除非是放在您可以清楚看到的位置。
- 务必用双手握住本产品。在身体一侧握住本产品。
- 在引擎/马达运转期间，确保您的四肢远离清扫刷。
- 在引擎/马达关闭之后，直至其完全停止之前，都要确保您的四肢不靠近清扫刷。
- 如果发生剧烈振动，请停止本产品的运行。如为汽油驱动型产品，请断开 HT 导线与火花塞的连接。如为

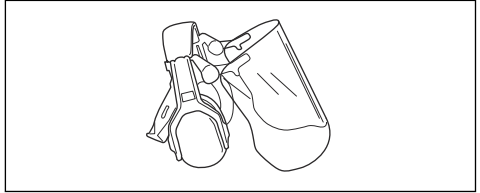
电池供电型产品，请取下电池。确保本产品未损坏。维修所有受损部分。

## 个人防护装备

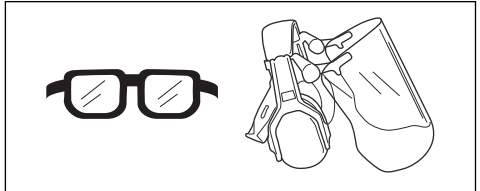


**警告：** 请在使用本产品前阅读下面的警告说明。

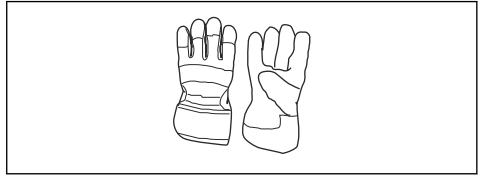
- 操作产品时务必使用获得批准的个人防护装备。个人防护装备不能完全避免受伤，但当意外发生时，可降低伤害程度。请经销商协助您选择正确的防护装备。
- 使用获得批准的听觉保护设备，尽量降低噪音。长期接触噪音可能会导致永久性听力损伤。



- 请使用获得批准的眼部保护装备。如果佩戴面罩，必须同时佩戴获得批准的护目镜。在美国，经批准的护目镜必须符合 ANSI Z87.1 标准；在欧盟国家/地区，必须符合 EN 166 标准。



- 必要时戴上手套，例如在安装、检查或清洁切割设备时。



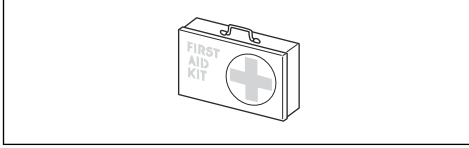
- 穿上带有钢鞋头和防滑鞋底的防护靴。



- 穿着高强度纤维制成的衣物。务必穿着结实的长裤和长袖衣服。切勿穿着容易钩住小树枝和分枝的衣物。

切勿佩戴珠宝、穿着短裤、凉鞋或光脚。确保头发安全地挽在肩部以上。

- 确保急救箱触手可及。



## 本产品上的安全装置



**警告：** 请在使用本产品前阅读下面的警告说明。

本节介绍本产品的安全特性及用途，并说明如何进行检查和维护，以确保它正常运转。有关这些零件在本产品上的位置，请参阅*产品概览*在第 220 页上一节中的说明。

如果本产品维护不当或由非专业人员进行保养和/或维修，附件的使用寿命会缩短，发生意外的风险会增加。欲知更多详情请联系距您最近的保养代理商。



**警告：** 不得使用安全部件有缺陷的附件。本产品的安全装备必须按照本节说明进行检查和维护。如果在检查附件时发现故障，请联系保养厂进行维修。



**警告：** 本产品的保养和维修工作必须由经过专门培训的人员执行。对于本产品的安全

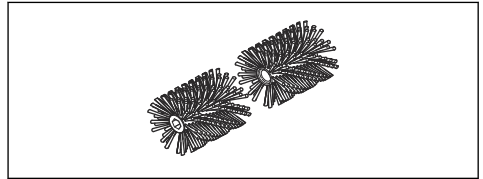
装备来说尤其如此。如果您购买的产品在检修过程中出现下述故障，您必须与保养厂联络。如果您购买我们的产品，我们承诺提供专业的修理和保养。如果出售本产品的零售商不是保养代理商，应向他咨询离您最近的保养厂的地址。

## 维护安全须知



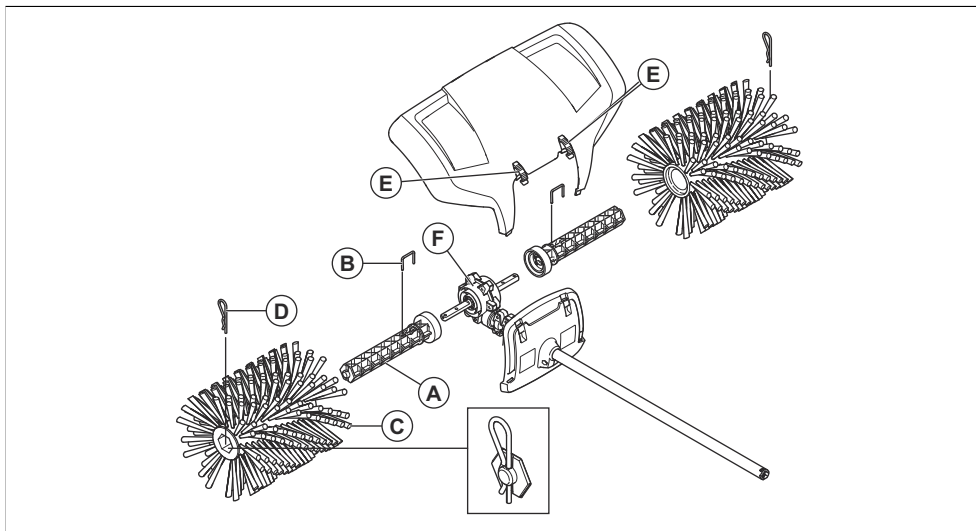
**警告：** 在维护附件前，务必先停止本产品的运行。请注意，松开油门扳机/开关扳机后，附件可能会继续运动。确保附件已完全停止运动。如为汽油驱动型产品，请断开 HT 导线与火花塞的连接。如为电池供电型产品，请取下电池。

- 开始工作前，请先检查整个产品。更换损坏的部件。
- 检查并确保所有防护装置和盖子完好且已正确固定。检查所有螺母和螺丝。
- 如为汽油驱动型产品，请确保没有燃油泄漏。
- 检查并确保刷鼓没有损坏且没有任何裂痕或其他损坏的迹象。



## 安装

### 装配附件



1. 将任一刷鼓轴 (A) 按压在齿轮箱 (F) 处任一输出驱动轴 (共两个) 上。必要时旋转刷鼓轴, 以使销孔与驱动轴中相应的孔对准。
2. 用锁定销 (B) 紧固滚筒轴。
3. 将其中一个清扫刷滚筒 (C) 放到轴总成上。按入滚筒, 直到其停止移动。
4. 用开口销 (D) 将滚筒紧固在轴上。安装时, 将该端稍稍推入。

5. 重复上述步骤, 在另外一侧安装轴和滚筒。
6. 用扣合式紧固件 (E) 安装防溅罩。

**注意：** 有关在基础产品上安装配件的信息, 请参阅基础产品手册。

## 操作

### 使用附件

1. 将清扫刷放在地面上, 以全开油门/全速 (或接近全开油门/全速) 操作本产品。

**注意：** 作业时提起清扫刷或使其离开地面, 既会使人疲劳又没有必要。

2. 用本产品清扫小路等狭窄表面时, 本产品可能会正对着您抛出清扫物。如果要清扫更宽的表面, 则可能需要倾斜作业, 以使清扫物在一侧形成缕。轻质材料组成的缕可以汇集成一行或一堆, 便于之后清除, 而硬质或更重的材料则可能需要汇集成数缕。





3. 清扫角落时，可拆下防溅罩并拧松附件联轴器，将附件旋转半圈。



**警告：** 垃圾会向操作者方向抛回。反向操作本产品时要使用较低的转速，请记住，这很容易发生翻转。

4. 作业时与地面保持小角度。如果作业角度过大，清扫刷容易朝您移动，并可能会导致您失去对本产品的控制。



## 维护

### 简介

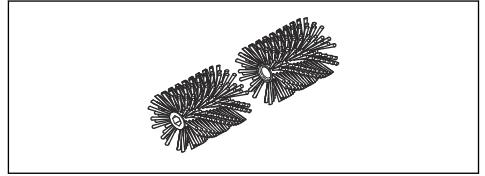
以下是部分一般维修说明。欲知更多详情，请与保养厂联络。

### 对配件进行维护



**小心：** 配件可在脏污条件下工作。如果您使用的是汽油驱动型产品，定期维护空气滤清器至关重要。要使空气滤清器良好地工作，必须用油进行润滑。有关维护说明，请参阅动力装置的操作手册。

1. 松开开门扳机/开关扳机时，检查并确保刷鼓不旋转。



2. 检查并确保刷鼓没有损坏或裂痕。必要时更换刷鼓。  
3. 长期存放时，可将清扫刷挂起来。



**警告：** 在使用本产品过程中，齿轮箱的温度会非常高。切勿触摸齿轮箱，以防烫伤。

## 运输、存放和废弃处理

### 运输及存放

在长时间存放之前，确保清洁附件并且进行全面保养。

如果用其他车辆运输附件，务必使用经认可的固定装置并确保牢牢固定附件。

## 技术参数

### 汽油驱动产品的技术数据

|            |              |
|------------|--------------|
| <b>鬃毛刷</b> | <b>BR600</b> |
| 刷鼓宽度 (mm)  | 597          |
| 刷鼓直径 (mm)  | 270          |
| <b>重量</b>  |              |
| 重量 (kg)    | 5.3          |

|  |              |
|--|--------------|
| <b>鬃毛刷</b>   | <b>BR600</b> |
| <b>噪音排放</b> <sup>139</sup>   |              |
| 声功率级 ( 测量值 ) , dB (A)  | 106          |
| 声能级, 保证值 L <sub>WA</sub> dB (A)  | 110          |
| <b>声级</b> <sup>140</sup>   |              |
| 操作员耳旁的等效声压级根据 EN ISO 22868 测量得出, 单位为 dB(A) :                             | 94           |
| <b>振动</b> <sup>141</sup>   |              |
| 手柄的等效振动水平 (a <sub>hv,eq</sub> ), 根据 ISO 22867 测量得出, 单位为 m/s <sup>2</sup> |              |
| 前/后手柄  | 3.7/6.2      |

## 电池供电产品的技术数据

|  |         |
|--|---------|
| <b>325ILK + 鬃毛刷附件 BR600</b>                      |         |
| 刷鼓宽度 (mm)  | 597     |
| 刷鼓直径 (mm)  | 270     |
| <b>重量</b>  |         |
| 重量 (kg)  | 2.3+5.3 |
| <b>噪音排放</b> <sup>142</sup>                       |         |
| 声功率级 ( 测量值 ) , dB (A)                            | 90      |
| <b>声压级</b> <sup>143</sup>                        |         |
| 操作员耳旁的声压级, 根据 ISO 22868 测量得出, 单位为 dB(A) :        | 80      |
| <b>振动</b> <sup>144</sup>                         |         |
| 手柄振动水平, 根据 EN 62841-1 测量得出, 单位为 m/s <sup>2</sup> |         |
| 配有经过批准认证的附件 ( 原装 ) , 左/右                         | 3.3/3.1 |

<sup>139</sup> 环境噪音排放以声功率 (L<sub>WA</sub>) 量测, 符合 EC 指令 2000/14/EC 的要求。报告给出的机器声功率级是按照原装切割锯片的最高噪声级别测量得出的。保证声功率与测定声功率之间存在差异, 在于保证声功率按照指令 2000/14/EC 的要求还包含了测量结果中的离差以及相同型号不同机器之间的偏差。

<sup>140</sup> 本机的等效声压级的报告数据中具有一个 1 dB (A) 的典型统计离差 ( 标准偏差 ) 。

<sup>141</sup> 等效振动级的报告数据中具有一个 1 米/秒<sup>2</sup> 的典型统计离差 ( 标准偏差 ) 。

<sup>142</sup> 本机的声功率级报告数据中具有 3 dB (A) 的典型统计离差 ( 标准偏差 ) , 并且是按照原装切割锯片的最高噪声级别测量得出的。

<sup>143</sup> 本机的声压级报告数据中具有 3 dB (A) 的典型统计离差 ( 标准偏差 ) , 并且是按照原装切割锯片的最高噪声级别测量得出的。

<sup>144</sup> 等效振动水平的报告数据中具有 2 m/s<sup>2</sup> 的典型统计离差 ( 标准偏差 ) 。要比较振动水平、电池和燃烧产物, 请使用振动计算器。 <https://www.husqvarna.com/uk/services-solutions/vibration-calculator/>。

# 一致性声明

## 欧盟一致性声明

我们 Husqvarna AB ( 地址 : SE-561 82 Huskvarna , Sweden , 电话 : +46-36-146500 ) 谨此声明 , 本产品 :

|       |              |
|-------|--------------|
| 描述    | 鬃毛附件         |
| 品牌    | Husqvarna    |
| 类型/型号 | BR600        |
| 标识    | 2022 及以后的序列号 |

完全符合以下欧盟指令和法规的要求 , 我们对此负有唯一的责任 :

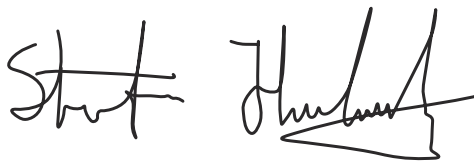
| 指令/法规      | 描述                         |
|------------|----------------------------|
| 2006/42/EC | "关于机械"                     |
| 2000/14/EC | "关于环境噪音排放"                 |
| 2011/65/EU | "关于在电气和电子设备中限制使用某些有害物质的指令" |

并适用以下标准和/或技术规格 : EN ISO 12100:2010,  
EN IEC 63000:2018

RISE SMP Svenska Maskinprovning AB, Box 7035,  
SE-750 07 Uppsala, Sweden 已代表 Husqvarna AB 进行了自愿性型式检验。

证书编号 : SEC/15/2412

Huskvarna, 2022-03-29



Husqvarna AB 技术管理部门研发总监 Stefan Holmberg  
技术文档负责人



---

## Contents

---

|                   |   |   |   |
|-------------------|---|---|---|
| Introduction..... | 2 | Maintenance.....                          | 8 |
| Safety.....       | 3 | Transportation, storage and disposal..... | 9 |
| Assembly.....     | 7 | Technical data.....                       | 9 |
| Operation.....    | 7 |   |   |

---

## Introduction

---

### Product description

We have a policy of continuous product development and therefore reserve the right to modify the design and appearance of the products without prior notice.

**Note:** This manual cover both gasoline operated and battery operated power units.

---

### Intended use

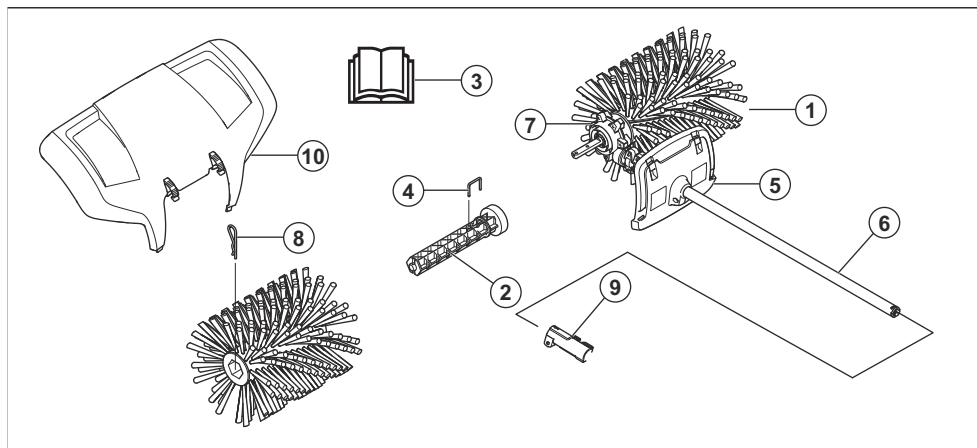


**WARNING:** This attachment may only be used together with the intended product, see the accessory chapter in the Operator's Manual of the product.

---

The attachment is only designed for brushing pathways, asphalt roads and such.

### Attachment overview



1. Brush drum
2. Drum axle
3. Operator's manual
4. Locking pin
5. Guard (Protection on shaft)
6. Shaft
7. Gear housing
8. Split pin
9. Shaft coupling (Included with the product)
10. Splash guard

### Symbols on the attachment and on the power unit



Careless or incorrect use of this attachment can result in serious or fatal injury to the operator or others.



Read the operator's manual carefully and make sure you understand the instructions before you use the attachment.





Use approved hearing protection. Use approved eye protection. Use a breathing mask when there is a risk of dust.



Rotating parts. Keep hands and feet clear. The arrow indicates the direction of rotation.



Always wear approved protective gloves.



Wear sturdy, non-slip boots.



Watch out for thrown objects and ricochets.



The operator must ensure that no people or animals come closer than 15 m. When several operators are working at the same site a safety distance of at least 15 m must be in effect. The attachment can forcibly throw objects that can bounce back. This can result in serious eye injuries if the recommended safety equipment is not used.



Keep a minimum of 15 m / 50 ft distance to persons and animals during operation of the product.



Keep all parts of your body away from the hot surfaces.

**Note:** Other symbols/decals on the attachment refer to special certification requirements for certain markets.

## California Proposition 65

### **WARNING**

The engine exhaust from this product contains chemicals known to the State of California to cause cancer, birth defects or other reproductive harm.

## Safety

### Safety definitions

Warnings, cautions and notes are used to point out specially important parts of the operator's manual.



**WARNING:** Used if there is a risk of injury or death for the operator or bystanders if the instructions in the manual are not obeyed.



**CAUTION:** Used if there is a risk of damage to the product and/or the attachment, other materials or the adjacent area if the instructions in the manual are not obeyed.

**Note:** Used to give more information that is necessary in a given situation.

### General safety instructions



**WARNING:** Read the safety instructions that follow before you use the attachment.

- Please read the operator's manual carefully and make sure you understand the instructions before using the attachment.
- These instructions supplement the instructions that were included with the product. For other procedures, please refer to the operating instructions for the product.

- Under no circumstances may the design of the attachment be modified without the permission of the manufacturer. Do not use an attachment that appears to have been modified by others and always use original accessories. Non-authorized modifications and/or accessories can result in serious personal injury or the death of the operator or others.

repaired or replaced by an authorized service center unless indicated elsewhere in this manual.

## Safety instructions for operation



**WARNING:** Read the warning instructions that follow before you use the product.

### Read all instructions



**WARNING:** When using electric gardening appliances, basic safety precautions should always be followed to reduce the risk of fire, electric shock, and personal injury, including the following:

### Other safety information

- Avoid Dangerous Environment – Don't use appliances in damp or wet locations.
  - Don't Use In Rain.
  - Keep Children Away – All visitors should be kept at a distance from work area.
  - Dress Properly – Do not wear loose clothing or jewelry. They can be caught in moving parts. Use of rubber gloves and substantial footwear is recommended when working outdoors. Wear protective hair covering to contain long hair.
  - Use Safety Glasses – Always use face or dust mask if operation is dusty.
  - Use Right Appliance – Do not use appliance for any job except that for which it is intended.
  - Avoid Unintentional Starting – Don't carry plugged-in appliance with finger on switch. Be sure switch is off when plugging in.
  - Don't Force Appliance – It will do the job better and with less likelihood of a risk of injury at the rate for which it was designed.
  - Don't Overreach – Keep proper footing and balance at all times.
  - Stay Alert – Watch what you are doing. Use common sense. Do not operate appliance when you are tired.
  - Store Idle Appliances Indoors – When not in use, appliances should be stored indoors in dry, and high or locked-up place – out of reach of children.
  - Maintain Appliance With Care – Keep cutting edge sharp and clean for best performance and to reduce the risk of injury. Follow instructions for lubricating and changing accessories. Keep handles dry, clean, and free from oil and grease.
  - Check Damaged Parts – Before further use of the appliance, a guard or other part that is damaged should be carefully checked to determine that it will operate properly and perform its intended function. Check for alignment of moving parts, binding of moving parts, breakage of parts, mounting, and any other condition that may affect its operation. A guard or other part that is damaged should be properly repaired or replaced by an authorized service center unless indicated elsewhere in this manual.
- Make sure to prevent unintentional starting when assembling, checking and/or performing maintenance. If you have a gasoline operated product, disconnect the spark plug cap from the spark plug. If you have a battery operated product, remove the battery.
  - At times grass and stones can become caught in the tines. Always stop the engine/motor when cleaning.
  - Watch out for thrown objects. Always wear eye protection. Never bend over the brush drum. Stones, rubbish, etc. can be thrown up into the eyes causing blindness or serious injury.
  - The gear can get hot during use and may remain so for a while afterwards. You could get burnt if you touch it.
  - Hold the product securely when starting.
  - Although the brush drums do not have the same force as lawn mower blades, for example, you should avoid working with materials that can cause personal injury or damage to property if thrown out.
  - Do not use the product unless you are able to call for help in the event of an accident.
  - Only use the product for the purpose it was intended for.
  - Never use the product if you are tired, if you have drunk alcohol, or if you are taking medication that could affect your vision, your judgement or your co-ordination.
  - Never use the product in extreme weather conditions such as severe cold, very hot and/or humid climates.
  - Never use a product that is faulty. Carry out the safety checks, maintenance and service instructions described in this manual. Some maintenance and service measures must be carried out by trained and qualified specialists. See instructions under the Maintenance heading.
  - Never allow children to use the product.
  - Never allow anyone else to use the product without first ensuring that they have read and understood the contents of the operator's manual.
  - Keep unauthorized persons at a distance. Children, animals, onlookers and helpers should be kept outside the safety zone of 15 m while you work. Stop the product immediately if anyone approaches.
  - If you encounter a situation where you are uncertain how to proceed you should ask an expert. Contact your dealer or your service workshop.
  - Avoid all usage which you consider to be beyond your capability.

- Observe your surroundings and make sure that there is no risk of people or animals coming in contact with or affect your control of the product.
- Listen out for warning signals or shouts when you are wearing hearing protection. Always remove your hearing protection as soon as the engine/motor stops.
- Do not use the product in bad weather, such as dense fog, heavy rain, strong wind, intense cold, etc. Working in bad weather is tiring and often brings added risks, such as icy ground.
- Make sure you can move and stand safely.



- The product must be switched off before moving.
- Do not put the product down with the engine/motor running unless you have it in clear sight.
- Always use both hands to hold the product. Hold the product at the side of your body.
- Make sure that your hands and feet do not come near the brush when the engine/motor is running.
- When the engine/motor is switched off, keep your hands and feet away from the brush until it has stopped completely.
- If heavy vibration occurs, stop the product. If you have a gasoline operated product, disconnect the HT lead from the spark plug. If you have a battery operated product, remove the battery. Make sure that the product is not damaged. Repair any damage.

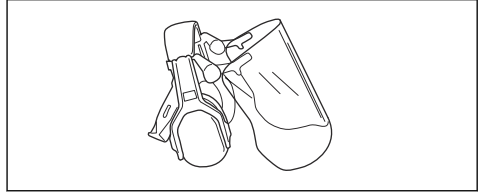
## Personal protective equipment



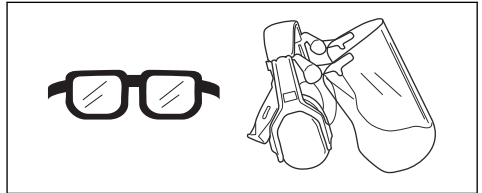
**WARNING:** Read the warning instructions that follow before you use the product.

- Always use approved personal protective equipment when you use the product. Personal protective equipment cannot fully prevent injury but it decreases the degree of injury if an accident does occur. Let your dealer help you select the right equipment.

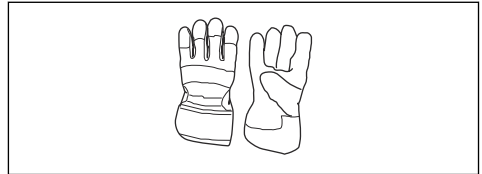
- Use approved hearing protection that provides adequate noise reduction. Long-term exposure to noise can result in permanent hearing impairment.



- Use approved eye protection. If you use a visor, you must also use approved protective goggles. Approved protective goggles must comply with the ANSI Z87.1 standard in the USA or EN 166 in EU countries.



- Use gloves when necessary, for example when you attach, examine or clean the cutting equipment.



- Use protective boots with steel toes and non-slip soles.



- Use clothing made of a strong fabric. Always use heavy, long pants and long sleeves. Do not use loose clothing that can catch on twigs and branches. Do not wear jewelry, short pants, sandals or go with bare feet. Put your hair up safely above shoulder level.

- Keep first aid equipment close at hand.



## Safety devices on the attachment



**WARNING:** Read the warning instructions that follow before you use the attachment.

This section contains the attachment's safety features, its purpose and how checks and maintenance should be carried out to ensure that it operates correctly. See instructions under the heading *Attachment overview on page 2* to find where these parts are located on your attachment.

The life span of the attachment can be reduced and the risk of accidents can increase if attachment maintenance is not carried out correctly and if service and/or repairs are not carried out professionally. If you need further information please contact your nearest servicing dealer.



**WARNING:** Never use an attachment with defective safety components. The attachment's safety equipment must be inspected and maintained as described in this section. If your attachment fails any of these checks, contact your service agent to get it repaired.



**WARNING:** All servicing and repair work on the product requires special training. This is especially true of the

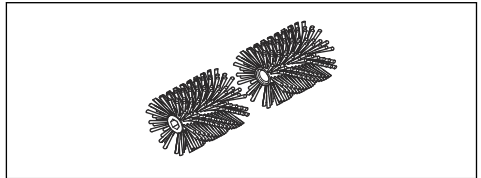
product's safety equipment. If your product fails any of the checks described below you must contact your service agent. When you buy any of our products we guarantee the availability of professional repairs and service. If the retailer who sells your product is not a servicing dealer, ask him for the address of your nearest service agent.

## Safety instructions for maintenance



**WARNING:** Always stop the product before you do maintenance on the attachment. Be careful, the attachment can continue to move after the throttle/power trigger is released. Make sure that the attachment has stopped fully. If you have a gasoline operated product, disconnect the HT leads from the spark plug. If you have a battery operated product, remove the battery.

- Check the entire product before starting. Replace damaged parts.
- Check that all guards and covers are complete and attached correctly. Examine all nuts and screws.
- If you have a gasoline operated product, make sure that there are no fuel leaks.
- Check that the brush drums are not damaged and show no signs of cracking or other damage.



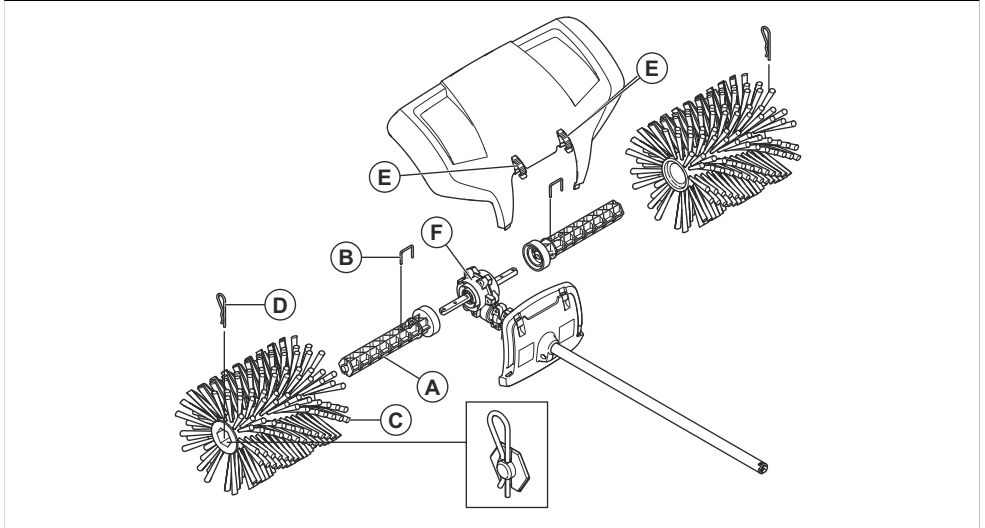


---

## Assembly

---

### To assemble the attachment



1. Press one of the drum axles (A) onto one of the two outgoing drive shafts from the gear housing (F). Rotate the drum axle if necessary so that the pin hole comes over the corresponding hole in the drive shaft.
2. Fasten the roller shaft with locking pin (B).
3. Put one of the brush rollers (C) onto the assembled shaft. Press in the roller until it stops.
4. Fasten the roller on the shaft with a cotter pin (D). Press in the end slightly when assembling.
5. Repeat these steps to assemble the axle and roller on the opposite side.
6. Mount the splash guard with the snap-on fasteners (E).

---

**Note:** For assembling accessories on basic product, refer to manual for basic product.

---

---

## Operation

---

### To use the attachment

1. Operate the product at full throttle/speed (or nearly full throttle/speed) with the brush resting on the surface.

---

**Note:** It is both tiring and unnecessary to lift or hold the brush above the surface when working.

---

- When clearing narrow surfaces such as paths, the product can be used so that it throws materials straight in front of you. If you want to work on wider surfaces, you may need to work at an angle so that strands form on one side. Strands comprising light materials can be collected into one row or pile for later removal while hard or more bulky materials may need collecting in several strands.



- In order to get into corners, remove the splash guard and loosen the accessory coupling and rotate the accessory half a turn.



**WARNING:** Rubbish will then be thrown back towards the user. Use a lower speed when reversing the product and remember that it is easy to trip over.

- Keep a small working angle to the surface. Too large a working angle means the sweeper tends to move towards you and you risk losing control of the product.



## Maintenance

### Introduction

Below you will find some general maintenance instructions. If you need further information please contact your service workshop.

### To do maintenance on the accessory



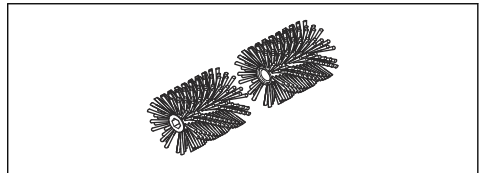
**CAUTION:** The accessory operates in dirty conditions. If you have a gasoline operated product, it is very important to do maintenance of the air filter regularly. The air filter must be lubricated with oil to operate satisfactorily. Refer to the operator's manual of the power unit for maintenance instructions.



**WARNING:** The gear housing gets hot when the product has been in use. To

avoid burning yourself do not touch the gear housing.

- Check that the brush drums do not rotate when the throttle/power trigger is released.



- Check that the brush drums are not damaged or cracked. Replace the brush drums if necessary.
- Hang up the brush when in storage for long periods.

---

## Transportation, storage and disposal

---

### Transport and storage

Ensure the attachment is cleaned and that a complete service is carried out before long-term storage.

If transporting the attachment on another vehicle always use approved securing devices and make sure that the attachment is securely held.

---

## Technical data

---

### Technical data for gasoline operated products

|   |              |
|---|--------------|
| <b>Bristle brush</b>  | <b>BR600</b> |
| Brush drum width, in/mm   | 23.5/597     |
| Brush drum diameter, in/mm  | 10.6/270     |
| <b>Weight</b>   |              |
| Weight, lb/kg   | 11.7/5.3     |
| <b>Noise emissions</b> <sup>1</sup>   |              |
| Sound power level, measured dB (A)  | 106          |
| Sound power level, guaranteed L <sub>WA</sub> dB (A)  | 110          |
| <b>Sound levels</b> <sup>2</sup>  |              |
| Equivalent sound pressure level at the operator's ear, measured according to EN ISO 22868, dB (A):              | 94           |
| <b>Vibrations</b> <sup>3</sup>  |              |
| Equivalent vibration levels (a <sub>nv,eq</sub> ) at handles, measured according to ISO 22867, m/s <sup>2</sup> |              |
| Front/rear handles  | 3.7/6.2      |

### Technical data for battery operated products

|  |          |
|--|----------|
| <b>325ILK + Bristle brush attachment BR600</b> |          |
| Brush drum width, inch/mm                      | 23.5/597 |
| Brush drum diameter, inch/mm                   | 10.6/270 |
| <b>Weight</b>                                  |          |

<sup>1</sup> Noise emissions in the environment measured as sound power (L<sub>WA</sub>) in conformity with EC directive 2000/14/EC. Reported sound power level for the machine has been measured with the original cutting attachment that gives the highest level. The difference between guaranteed and measured sound power is that the guaranteed sound power also includes dispersion in the measurement result and the variations between different machines of the same model according to Directive 2000/14/EC.

<sup>2</sup> Reported data for equivalent sound pressure level for the machine has a typical statistical dispersion (standard deviation) of 1 dB (A).

<sup>3</sup> Reported data for equivalent vibration level has a typical statistical dispersion (standard deviation) of 1 m/s<sup>2</sup>.

|  |                  |
|--|------------------|
| <b>325iLK + Bristle brush attachment BR600</b>                                       |                  |
| Weight, lb/kg  | 5.1/2.3+11.7/5.3 |
| <b>Sound levels</b> <sup>4</sup>   |                  |
| Sound pressure level at the operator's ear, measured according to ISO 22868, dB (A): | 80               |
| <b>Vibrations</b> <sup>5</sup>   |                  |
| Vibration levels at handles, measured according to EN 62841-1, m/s <sup>2</sup>      |                  |
| Equipped with approved accessory (original), left/right                              | 3.3/3.1          |

<sup>4</sup> Reported data for sound pressure level for the machine has a typical statistical dispersion (standard deviation) of 3 dB (A) and has been measured with the original attachment that gives the highest level.

<sup>5</sup> Reported data for vibration level has a typical statistical dispersion (standard deviation) of 2 m/s<sup>2</sup>. For comparison of vibrations levels, battery and combustion products use vibration calculator. <https://www.husqvarna.com/uk/services-solutions/vibration-calculator/>.

# Contenido

|                     |    |   |    |
|---------------------|----|---|----|
| Introducción.....   | 11 | Mantenimiento.....  | 17 |
| Seguridad.....      | 12 | Transporte, almacenamiento y eliminación de residuos..... | 18 |
| Montaje.....        | 16 | Datos técnicos.....                                       | 18 |
| Funcionamiento..... | 17 |   |    |

## Introducción

### Descripción de la máquina

Husqvarna AB tiene una política de desarrollo continuo de productos y, por lo tanto, se reserva el derecho de modificar el diseño y el aspecto de los productos sin previo aviso.

**Nota:** Este manual aborda las unidades de alimentación que funcionan tanto con gasolina como con baterías.

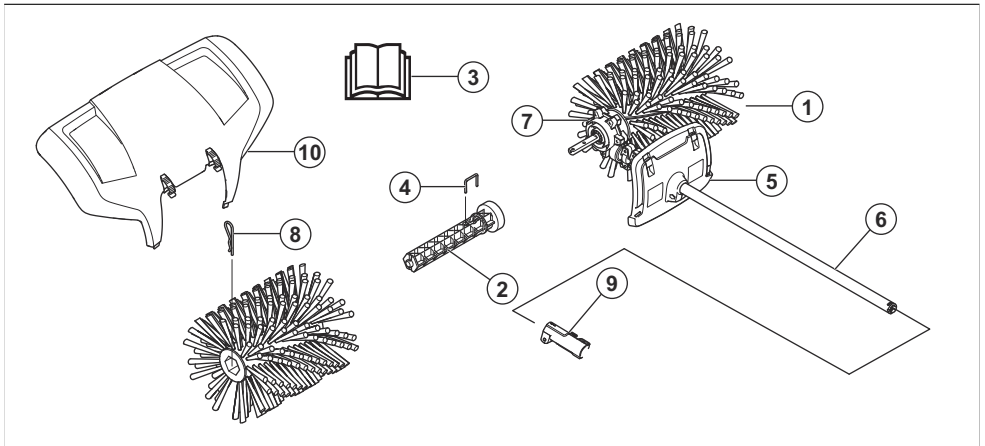
### Uso específico



**ADVERTENCIA:** Este accesorio solo puede utilizarse en conjunto con el producto relacionado; consulte el capítulo sobre accesorios en el manual de usuario del producto.

El accesorio está diseñado únicamente para cepillar senderos, caminos de asfalto y superficies similares.

### Vista general del accesorio



1. Tambor de cepillos
2. Eje del tambor
3. Manual de usuario
4. Pasador de bloqueo
5. Protección (en el eje)
6. Eje
7. Caja de engranajes
8. Pasador partido
9. Acoplamiento de eje (incluido con el producto)
10. Protección contra salpicaduras

### Símbolos que aparecen en el accesorio y en la unidad de alimentación



El uso incorrecto o descuidado de este accesorio puede ocasionar lesiones graves o mortales al operador u otras personas.



Lea el manual de instrucciones atentamente y asegúrese de entender las instrucciones antes de utilizar el accesorio.





Use protección auricular aprobada. Use protección ocular aprobada. Use una máscara respiratoria ante la posible presencia de polvo.



Manténgase a un mínimo de 15 m/50 pies de distancia de las personas y los animales mientras el producto esté funcionando.



Piezas giratorias. Mantenga las manos y los pies alejados. La flecha indica el sentido de rotación.



Mantenga todas las partes del cuerpo lejos de las superficies calientes.



Use siempre guantes protectores aprobados.

**Nota:** Otros símbolos o etiquetas en el equipo hacen referencia a requisitos de certificación especiales para ciertos mercados.



Use botas antideslizantes y resistentes.



Tenga cuidado con los objetos que puedan salir despedidos o producir algún impacto por efectos de rebote.



El operador debe asegurarse de que no haya personas ni animales a menos de 15 m. Cuando varios operadores trabajen en el mismo sitio, se debe respetar una distancia de seguridad de 15 m como mínimo. El accesorio puede echar a volar objetos violentamente que pueden rebotar. Lo anterior puede provocar heridas graves en los ojos si no se utiliza el equipo de seguridad recomendado.

## Propuesta 65 de California

 **¡ADVERTENCIA!**

Los gases de escape del motor de este producto contienen sustancias químicas conocidas en el Estado de California como causantes de cáncer, defectos congénitos y otros daños reproductivos.

## Seguridad

### Definiciones de seguridad

Las advertencias, precauciones y notas se utilizan para señalar las piezas particularmente importantes del manual del usuario.



**ADVERTENCIA:** Se utilizan para señalar el riesgo de lesiones graves o mortales para el operador o para aquellos

que se encuentren cerca si no se siguen las instrucciones del manual.



**PRECAUCIÓN:** Se utilizan para señalar el riesgo de dañar el producto o accesorio, otros materiales o el área adyacente si no se respetan las instrucciones del manual.

**Nota:** Se utilizan para entregar más información necesaria en situaciones particulares.

## Instrucciones generales de seguridad



**ADVERTENCIA:** Lea las siguientes instrucciones de seguridad antes de usar el accesorio.

- Lea cuidadosamente el manual de usuario y asegúrese de que entiende las instrucciones antes de utilizar el accesorio.
- Estas instrucciones son un complemento de las instrucciones que se incluyen con el producto. Para otros procedimientos, consulte las instrucciones de operación del producto.
- Bajo ninguna circunstancia podrá modificar el diseño del accesorio sin el permiso del fabricante. No utilice un accesorio que parezca haber sido modificado por otras personas y utilice siempre los accesorios originales. Las modificaciones o accesorios no autorizados pueden provocar daños personales o la muerte del operador u otras personas.

## Lea todas las instrucciones



**ADVERTENCIA:** Cuando utilice aparatos eléctricos para jardines, siga siempre las precauciones de seguridad básicas para reducir el riesgo de incendio, sacudida eléctrica y daños personales, como los siguientes:

## Otra información de seguridad

- Evite las zonas peligrosas: no utilice los aparatos en lugares húmedos o mojados.
- No los utilice bajo la lluvia.
- Mantenga a los niños alejados: se debe mantener alejados a todos los visitantes de la zona de trabajo.
- Utilice la indumentaria adecuada: no use ropa suelta ni joyas. Pueden quedarse atrapadas en las piezas móviles. Se recomienda el uso de guantes de goma y calzado resistente cuando se trabaja en exteriores. Use un gorro protector para contener el pelo largo.
- Uso de antiparras: utilice siempre protección facial o máscara contra polvo si la operación genera polvo.

- Utilice el aparato de forma adecuada: no utilice el aparato para ningún trabajo que no sea el previsto.
- Evite los arranques accidentales: no transporte el aparato conectado con el dedo sobre el interruptor. Asegúrese de que el interruptor esté apagado antes de conectarlo.
- No fuerce el aparato: obtendrá mejores resultados y menos probabilidades de sufrir lesiones si lo utiliza a la velocidad para la que fue diseñado.
- No se estire demasiado: mantenga una posición y un equilibrio adecuados en todo momento.
- Manténgase alerta: observe lo que hace. Utilice el sentido común. No utilice el aparato si está cansado.
- Almacene los aparatos inactivos en espacios cerrados: cuando no se utilicen, los aparatos se deben almacenar en espacios cerrados, secos, altos o con llave, fuera del alcance de los niños.
- Manipule el aparato con cuidado: mantenga afilado y limpio el borde cortante para obtener un mejor rendimiento y reducir el riesgo de lesiones. Siga las instrucciones de lubricación y cambio de accesorios. Mantenga los mangos secos, limpios y sin grasa ni aceite.
- Revise las piezas dañadas: antes de volver a utilizar el aparato, se debe revisar minuciosamente una protección u otra pieza que presente daños para determinar si funciona correctamente y si sirve para su función prevista. Revise la alineación de las piezas móviles, las uniones de piezas móviles, la rotura de piezas, el montaje y cualquier otra condición que pueda afectar su funcionamiento. Un centro de servicio autorizado debe reparar adecuadamente o reemplazar una protección u otra pieza que presente daños, a menos que en este manual se indique otro lugar.

## Instrucciones de seguridad para el funcionamiento



**ADVERTENCIA:** Lea atentamente las instrucciones de advertencia siguientes antes de usar el producto.

- Asegúrese de evitar un arranque accidental durante el montaje, la comprobación o cuando se realicen tareas de mantenimiento. Si se trata de un producto que funciona con gasolina, desconecte el sombrero de bujía de la bujía. Si se trata de un producto que funciona con baterías, quite la batería.
- A veces, se pueden quedar atascados césped y piedras en los dientes. Siempre detenga el motor cuando realice tareas de limpieza.
- Esté atento a que no salgan objetos despedidos. Siempre utilice protección ocular. Nunca se incline sobre el tambor de cepillos. Es posible que las piedras, residuos, etc. salgan despedidos en dirección a los ojos y le causen ceguera o lesiones graves.

- El engranaje puede calentarse durante el uso y es posible que permanezca caliente por un largo tiempo. Si lo toca, puede quemarse.
- Sujete el producto firmemente durante el arranque.
- A pesar de que los tambores de cepillos no tienen la misma fuerza que las cuchillas de las cortadoras de césped, por ejemplo, debe evitar trabajar con materiales que puedan provocar lesiones personales o daños materiales en caso de que salgan despedidos de la máquina.
- No utilice el producto a menos que sea capaz de pedir ayuda en caso de accidente.
- Utilice el producto únicamente para el uso al que está destinado.
- No utilice el producto si está cansado, si ha ingerido alcohol o si toma medicamentos que puedan afectar la vista, su capacidad de discernimiento o la coordinación.
- No utilice el producto en condiciones climáticas extremas como frío intenso o climas muy calurosos o húmedos.
- Nunca utilice un producto que esté defectuoso. Realice las comprobaciones de seguridad, el mantenimiento y las instrucciones de servicio descritas en este manual. Especialistas capacitados y calificados deben llevar a cabo algunas medidas de mantenimiento y servicio. Consulte las instrucciones bajo el título Mantenimiento.
- Nunca permita que los niños utilicen este producto.
- Nunca permita que otras personas utilicen el producto sin asegurarse primero de que han leído y comprendido el contenido del manual de usuario.
- Asegúrese de que las personas no autorizadas se mantengan a una distancia adecuada. Los niños, animales, observadores y ayudantes deben mantenerse fuera de la zona de seguridad de 15 metros durante el trabajo. Detenga el producto de inmediato si alguien se acerca.
- Si se encuentra en una situación en la que no está seguro de cómo proceder, debe preguntarle a un experto. Póngase en contacto con el distribuidor o el taller de servicio.
- Evite todos los usos que considere que están más allá de su capacidad.
- Preste atención a su entorno y asegúrese de que no hay riesgo de que ninguna persona o animal entre en contacto con el producto o afecten su control.
- Preste atención a las señales de advertencia o gritos cuando utilice protectores auriculares. Siempre retire sus protectores auriculares en cuanto se detenga el motor.
- No utilice el producto en condiciones climáticas desfavorables, como niebla densa, lluvia intensa, vientos fuertes, frío intenso, etc. Trabajar con mal tiempo es agotador y a menudo conlleva riesgos añadidos, como suelo helado.

- Cerciórese de que puede caminar y mantenerse de pie con seguridad.



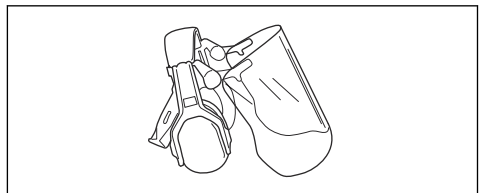
- El producto debe estar apagado antes de moverlo.
- No coloque el producto sobre una superficie con el motor encendido, a menos que lo tenga a la vista.
- Utilice siempre las dos manos para sostener el producto. Mantenga el producto al lado derecho de su cuerpo.
- Asegúrese de mantener las manos y los pies alejados del cepillo cuando el motor esté en funcionamiento.
- Cuando apague el motor, mantenga las manos y los pies alejados del cepillo hasta que se detenga por completo.
- Si se producen vibraciones excesivas, detenga el producto. Si se trata de un producto que funciona con gasolina, desconecte el cable de alta tensión de la bujía. Si se trata de un producto que funciona con baterías, quite la batería. Asegúrese de que el producto no esté dañado. Repare cualquier daño.

## Equipo de protección personal



**ADVERTENCIA:** Lea atentamente las instrucciones de advertencia siguientes antes de usar el producto.

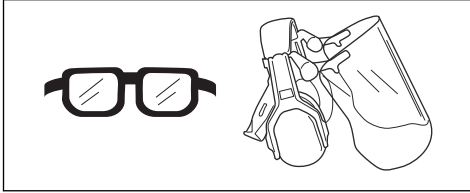
- Utilice siempre el equipo de protección personal adecuado cuando use el producto. El equipo de protección personal no puede impedir el riesgo de lesiones, pero disminuirá el grado de lesión si ocurre un accidente. Permita que su distribuidor le ayude a seleccionar el equipo adecuado.
- Utilice protectores auriculares aprobados que proporcionen una reducción de ruido adecuada. La exposición prolongada al ruido puede causar la pérdida permanente de la audición.



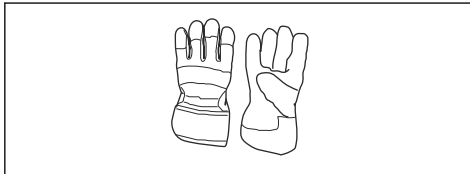
- Use protección ocular homologada. Si utiliza un visor, también debe usar gafas protectoras



homologadas. Las gafas protectoras homologadas deben cumplir con la norma ANSI Z87.1 de EE. UU. o EN 166 para países de la UE.



- Utilice guantes cuando sea necesario, por ejemplo, cuando conecte, examine o limpie el equipo de corte.



- Use botas de protección con punta de acero y suelas antideslizantes.



- Utilice ropa de material resistente. Use siempre pantalones largos y gruesos, y mangas largas. Evite usar ropas holgadas que se puedan enganchar con ramas. No trabaje con joyas, pantalones cortos, sandalias ni con los pies descalzos. Asegure su cabello por encima del nivel de los hombros.
- Mantenga un equipo de primeros auxilios a mano.



## Dispositivos de seguridad en el accesorio



**ADVERTENCIA:** Lea cuidadosamente las siguientes instrucciones de advertencia antes de usar el accesorio.

En esta sección se describen las características de seguridad del accesorio y su propósito y cómo deben llevarse a cabo las comprobaciones y el mantenimiento para asegurarse de que funciona correctamente.

Consulte las instrucciones bajo el título *Vista general del accesorio en la página 11* para ver dónde están situadas estas piezas en el accesorio.

La vida útil del accesorio se puede reducir y el riesgo de accidentes puede aumentar si el mantenimiento del accesorio no se realiza correctamente y si el servicio o las reparaciones no se llevan a cabo de forma profesional. Si necesita más información, comuníquese con su taller de servicio más cercano.



**ADVERTENCIA:** No utilice nunca un accesorio con componentes de seguridad defectuosos. El equipo de seguridad del accesorio se debe inspeccionar y mantener tal como se describe en esta sección. Si el accesorio no pasa exitosamente alguna de estas comprobaciones, póngase en contacto con el taller de servicio para que lo reparen.



**ADVERTENCIA:** Todos los trabajos de mantenimiento y reparación del producto requieren una formación especial. Esto aplica especialmente al equipo de seguridad del producto. Si el producto no pasa exitosamente alguna de las comprobaciones indicadas a continuación, póngase en contacto con el taller de servicio. La compra de alguno de nuestros productos le garantiza la disponibilidad de mantenimiento y servicio profesionales. Si el comerciante que vende el producto no es un concesionario de servicio, pídale la dirección del taller de servicio más cercano.

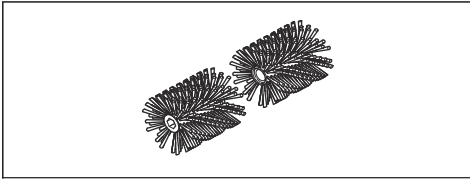
## Instrucciones de seguridad para el mantenimiento



**ADVERTENCIA:** Siempre detenga el producto antes de realizar cualquier trabajo de mantenimiento en el accesorio. Tenga cuidado, el accesorio podría continuar moviéndose después de soltar el acelerador/gatillo de alimentación. Asegúrese de que el accesorio se detenga por completo. Si se trata un producto que funciona con gasolina, desconecte los cables de alta tensión de la bujía. Si se trata de un producto que funciona con baterías, quite la batería.

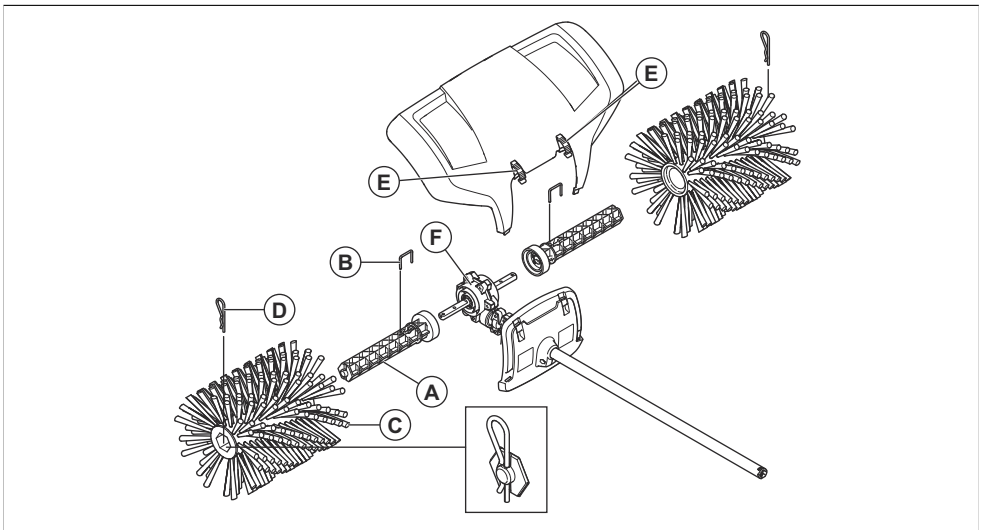
- Revise todo el producto antes de empezar. Cambie las partes dañadas.
- Compruebe que todas las protecciones y cubiertas estén completas y que estén fijadas correctamente. Revise todas las tuercas y tornillos.

- Si se trata de un producto que funciona con gasolina, asegúrese de que no haya fugas de combustible.
- Compruebe que los tambores de cepillos no estén dañados y no muestren indicios de grietas u otros daños.



## Montaje

### Para montar el accesorio



1. Presione uno de los ejes del tambor (A) sobre uno de los dos ejes propulsores de salida de la caja de engranajes (F). Gire el eje del tambor si es necesario para que el orificio del pasador se superponga al orificio correspondiente en el eje propulsor.
  2. Ajuste el eje del rodillo con el pasador de bloqueo (B).
  3. Coloque uno de los rodillos de cepillos (C) en el eje montado. Presione el rodillo hasta que se detenga.
  4. Sujete el rodillo en el eje con una chaveta hendida (D). Presione el extremo ligeramente durante el proceso de montaje.
  5. Repita estos pasos para montar el eje y el rodillo en el lado opuesto.
  6. Coloque la chapa deflectora con los sujetadores a presión (E).
- Nota:** Para montar los accesorios en el producto básico, consulte el manual del producto básico.

---

## Funcionamiento

---

### Para utilizar el accesorio

1. Opere el producto con la aceleración máxima (o con una aceleración cercana al nivel máximo) con el cepillo apoyado sobre la superficie.

**Nota:** Resulta tanto agotador como innecesario levantar o mantener el cepillo elevado de la superficie durante el trabajo.

2. Cuando limpie superficies angostas, como caminos, puede usar el producto de manera que los materiales salgan despedidos hacia delante. Si desea realizar tareas en superficies más amplias, es posible que deba trabajar en un ángulo tal que se formen las hebras a un costado. Las hebras formadas por materiales livianos se pueden acomodar en una fila o pila para su posterior extracción, mientras que los materiales más pesados o grandes se deben recolectar en varias hebras.



3. Para llegar a las esquinas, quite el protector contra salpicaduras, afloje el acoplamiento del accesorio y gire el accesorio una media vuelta.



**ADVERTENCIA:** Luego, se expulsarán los residuos en dirección al usuario. Utilice una velocidad menor cuando opere el producto en marcha atrás y tenga cuidado de no tropezarse.

4. Mantenga un pequeño ángulo de funcionamiento respecto de la superficie. Un ángulo de funcionamiento demasiado grande puede hacer que la barredora se mueva en dirección a usted y que pierda el control del producto.



---

## Mantenimiento

---

### Introducción

A continuación encontrará algunas instrucciones generales de mantenimiento. Si necesita más información, comuníquese con su taller de servicio.

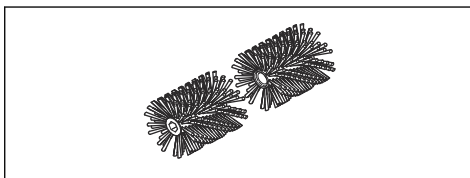
### Para realizar tareas de mantenimiento en el accesorio



**PRECAUCIÓN:** El accesorio funciona en condiciones de suciedad. Si se trata de un producto que funciona con gasolina, es muy importante realizar el mantenimiento

del filtro de aire con regularidad. Debe lubricar el filtro de aire con aceite para que funcione correctamente. Consulte las instrucciones de mantenimiento en el manual de usuario de la unidad de alimentación.

1. Compruebe que los tambores del cepillo no giren cuando se suelta el acelerador/gatillo de alimentación.



2. Compruebe que los tambores de cepillos no estén dañados o agrietados. Reemplace los tambores de cepillos si es necesario.
3. Cuelgue el cepillo cuando esté almacenado durante largos períodos.



**ADVERTENCIA:** La caja de engranajes se calienta cuando se utiliza el producto. Para evitar quemaduras, no toque la caja de engranajes.

## Transporte, almacenamiento y eliminación de residuos

### Transporte y almacenamiento

Si se transporta el accesorio en otro vehículo, utilice siempre dispositivos de sujeción aprobados y asegúrese de que el accesorio está bien sujeto.

Asegúrese de que el accesorio esté limpio y de que se realice un mantenimiento completo antes de almacenarlo a largo plazo.

## Datos técnicos

### Datos técnicos de los productos que funcionan con gasolina

|   |              |
|---|--------------|
| <b>Cepillo de cerdas</b>  | <b>BR600</b> |
| Ancho del tambor de cepillos, mm/pulg   | 597/23,5     |
| Diámetro del tambor de cepillos, mm/pulg  | 270/10,6     |
| <b>Peso</b>   |              |
| Peso, kg/lb   | 5,3/11,7     |
| <b>Emisiones sonoras <sup>6</sup></b>   |              |
| Nivel de potencia acústica, medido en dB (A)  | 106          |
| Nivel de potencia acústica garantizada $L_{WA}$ dB (A)  | 110          |
| <b>Niveles acústicos <sup>7</sup></b>   |              |
| Nivel de presión acústica equivalente en el oído del operador, medido según la norma EN ISO 22868, en dB (A): | 94           |

<sup>6</sup> Las emisiones sonoras en el medioambiente medidas como potencia acústica ( $L_{WA}$ ) en conformidad con la directiva CE 2000/14/CE. El nivel de potencia acústica registrado para la máquina se midió con el equipo de corte original que proporciona el más alto nivel. La diferencia entre la potencia acústica garantizada y medida es que la potencia acústica garantizada también incluye la dispersión en el resultado de la medición y las variaciones entre las distintas máquinas del mismo modelo según la directiva 2000/14/CE.

<sup>7</sup> Los datos registrados para el nivel de presión acústica equivalente para la máquina tienen una dispersión estadística típica (desviación estándar) de 1 dB (A).

|  |              |
|--|--------------|
| <b>Cepillo de cerdas</b>   | <b>BR600</b> |
| <b>Vibraciones</b> <sup>8</sup>  |              |
| Niveles de vibración equivalentes ( $a_{hv,eq}$ ) en los mangos, medidos según las normas ISO 22867, $m/s^2$ |              |
| Mango delantero/trasero  | 3,7/6,2      |

## Datos técnicos de los productos que funcionan con batería

|  |                    |
|--|--------------------|
| <b>325iLK + Accesorio del cepillo de cerdas BR600</b>  |                    |
| Ancho del tambor de cepillos, mm/pulg  | 597/23,5           |
| Diámetro del tambor de cepillos, mm/pulg   | 270/10,6           |
| <b>Peso</b>  |                    |
| Peso, kg/lb  | 2,3/5,1 + 5,3/11,7 |
| <b>Niveles acústicos</b> <sup>9</sup>  |                    |
| Nivel de presión acústica en el oído del operador, medido según la norma ISO 22868, en dB (A): | 80                 |
| <b>Vibraciones</b> <sup>10</sup>   |                    |
| Niveles de vibración en los mangos, medidos según la norma EN 62841-1, en $m/s^2$              |                    |
| Equipado con un accesorio homologado (original), izquierdo/derecho                             | 3,1/3,3            |

<sup>8</sup> Los datos informados para nivel de vibración equivalente tienen una dispersión estadística típica (desviación estándar) de  $1 m/s^2$ .

<sup>9</sup> Los datos registrados para el nivel de presión acústica de la máquina tienen una dispersión estadística (desviación estándar) típica de 3 dB (A) y se midieron con el accesorio original que proporciona el nivel más alto.

<sup>10</sup> Los datos informados en cuanto al nivel de vibración tienen una dispersión estadística típica (desviación estándar) de  $2 m/s^2$ . Para comparar los niveles de vibraciones, utilice la calculadora de vibraciones de los productos que funcionan con baterías y por combustión. <https://www.husqvarna.com/uk/services-solutions/vibration-calculator/>.

# Table des matières

|                     |    |  |    |
|---------------------|----|--|----|
| Introduction.....   | 20 | Entretien.....                               | 26 |
| Sécurité.....       | 21 | Transport, entreposage et mise au rebut..... | 27 |
| Montage.....        | 25 | Caractéristiques techniques.....             | 27 |
| Fonctionnement..... | 26 |  |    |

## Introduction

### Description du produit

Nous avons une politique de développement continu et nous réservons donc le droit de modifier la conception et l'apparence des produits sans préavis.

**Remarque :** Ce manuel traite des unités motrices à essence et des unités électriques alimentées par batterie.

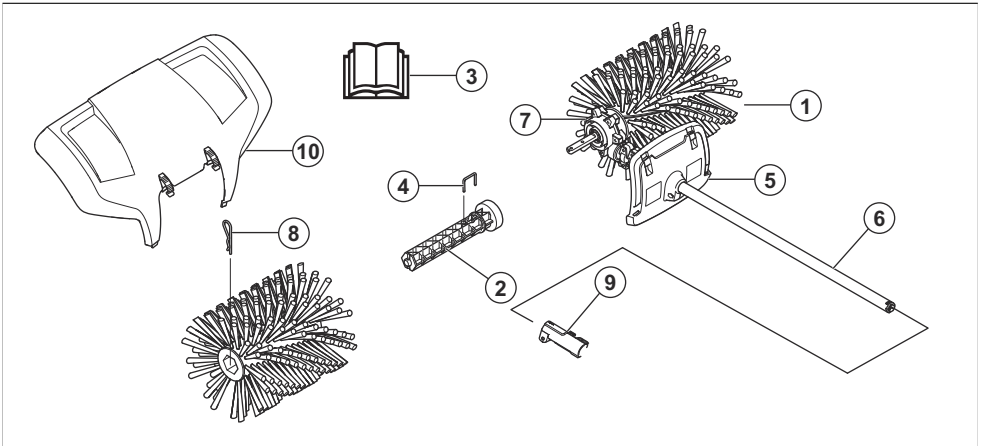
### Utilisation prévue



**AVERTISSEMENT :** Cet outil peut être utilisé seulement avec le produit pour lequel il est prévu. Consultez le chapitre sur les accessoires dans le manuel d'utilisation du produit.

L'outil est conçu pour le brossage des sentiers, des routes bitumées et autres surfaces du même genre.

### Aperçu de l'outil



1. Rouleaux brossers
2. Arbre de rouleau
3. Manuel de l'opérateur
4. Goupille de blocage
5. Dispositif de protection (protection sur l'arbre)
6. Arbre
7. Carter
8. Goupille fendue
9. Raccord de l'arbre (compris avec le produit)
10. Dispositif de protection contre les éclaboussures

### Symboles sur l'équipement et sur l'unité motrice



Si l'outil est utilisé de manière insouciante ou non appropriée, cela pourrait causer des blessures graves voire mortelles pour l'utilisateur ou pour d'autres personnes.



Lire attentivement le manuel d'utilisation et veiller à bien comprendre les directives avant d'utiliser l'accessoire.





Utiliser un dispositif de protection homologué pour les oreilles. Utiliser un dispositif de protection homologué pour les yeux. Utilisez un masque respiratoire lorsqu'il y a un risque de poussière.



Tenir les personnes et les animaux à une distance minimale de 15 m (50 pi) pendant l'utilisation de l'appareil.



Pièces tournantes. Garder les mains et les pieds à l'écart. La flèche indique le sens de rotation.



Tenez toute partie du corps à l'écart des surfaces chaudes.



Toujours porter des gants de protection homologués.

**Remarque :** Les autres symboles et autocollants apposés sur l'outil se rapportent aux exigences en matière de certification pour certains marchés.



Porter des bottes antidérapantes robustes.



Faire attention aux objets projetés et aux ricochets.



L'opérateur doit s'assurer qu'aucune personne ni aucun animal ne se trouve à moins de 15 m. Lorsque plusieurs opérateurs travaillent sur le même site, il faut maintenir une distance de sécurité d'au moins 15 m. L'outil peut projeter violemment des objets qui peuvent rebondir. Cela peut provoquer des lésions oculaires graves si l'équipement de sécurité recommandé n'est pas utilisé.

## Proposition 65 de la Californie



### ATTENTION!

Les émissions du moteur de cet outil contiennent des produits chimiques qui, d'après l'État de Californie, peuvent causer le cancer, des malformations congénitales ou autre danger pour la reproduction.

## Sécurité

### Définitions relatives à la sécurité

Les avertissements, recommandations et remarques soulignent des points du manuel d'utilisation qui revêtent une importance particulière.



**AVERTISSEMENT :** Indique la présence d'un risque de blessure ou de décès de l'utilisateur ou de personnes à

proximité si les instructions du manuel ne sont pas suivies.



**MISE EN GARDE :** Indique la présence d'un risque de dommages au produit ou à l'outil, à d'autres appareils ou à la zone adjacente si les instructions du manuel ne sont pas suivies.

**Remarque :** Utilisé pour donner des renseignements plus détaillés qui sont nécessaires dans une situation donnée.

## Consignes générales de sécurité



**AVERTISSEMENT :** Lire les instructions de sécurité qui suivent avant d'utiliser l'outil.

- Lire attentivement le manuel de l'opérateur et s'assurer de bien comprendre les instructions avant d'utiliser l'outil.
- Ces instructions complètent les instructions fournies avec le produit. Pour d'autres procédures, se reporter aux instructions d'utilisation du produit.
- La conception de l'outil ne peut en aucun cas être modifiée sans l'autorisation du fabricant. Ne pas utiliser un outil qui semble avoir été modifié par d'autres, et toujours utiliser des accessoires d'origine. Les modifications et/ou les accessoires non autorisés peuvent entraîner des blessures graves ou la mort de l'opérateur ou d'autres personnes.

## Lire toutes les instructions



**AVERTISSEMENT :** Lors de l'utilisation d'appareils de jardinage électriques, toujours respecter les règles de sécurité de base afin de réduire les risques d'incendie, d'électrocution et de blessure, dont les règles suivantes :

## Autres renseignements relatifs à la sécurité

- Éviter les environnements dangereux – ne pas utiliser d'appareils dans des endroits humides ou mouillés.
- Ne pas utiliser sous la pluie.
- Tenir à l'écart des enfants : tous les visiteurs doivent être tenus à bonne distance de la zone de travail.
- S'habiller convenablement – ne jamais porter de vêtements amples ou de bijoux. Ils peuvent se coincer dans les pièces mobiles. Il est recommandé de porter des gants en caoutchouc et des chaussures robustes pour travailler à l'extérieur. Le

cas échéant, portez un couvre-chef pour couvrir les cheveux longs.

- Porter des lunettes de sécurité – toujours porter un masque à poussière en cas d'utilisation de l'appareil en milieu poussiéreux.
- Utiliser le bon appareil – ne pas utiliser un appareil pour une autre tâche que celle à laquelle il est destiné.
- Prévenir les démarrages accidentels – ne pas laisser le doigt sur la gâchette d'un appareil branché lors de son transport. S'assurer que l'interrupteur est en position d'arrêt lors du branchement.
- Ne pas forcer l'appareil – il offre de meilleurs résultats et le travail est effectué de façon plus sécuritaire s'il tourne au régime pour lequel il a été conçu.
- Ne pas se pencher trop en avant – garder l'équilibre et un bon appui au sol en tout temps.
- Rester vigilant – être conscient de ce que l'on fait. Faire preuve de bon sens Ne pas faire fonctionner l'appareil lorsqu'on est fatigué.
- Ranger les appareils inutilisés à l'intérieur – lorsqu'ils ne sont pas utilisés, les appareils doivent être rangés à l'intérieur, dans un endroit sec et en hauteur ou verrouillé, hors de portée des enfants.
- Entretenir l'appareil avec soin – garder l'arête de coupe bien affûtée et propre pour obtenir des performances optimales et réduire les risques de blessures. Respecter les instructions concernant la lubrification et le changement des accessoires. Garder les poignées sèches, propres et exemptes d'huile et de graisse.
- Vérifier les pièces endommagées – avant toute utilisation de l'appareil, il convient de vérifier soigneusement qu'une protection ou toute autre pièce endommagée fonctionne correctement et remplit sa fonction prévue. Vérifier l'alignement des pièces mobiles, le grippage des pièces mobiles, la rupture de pièces, le montage et tout autre état susceptible de nuire à son fonctionnement. Une protection ou toute autre pièce endommagée doit être réparée ou remplacée adéquatement par un centre d'entretien autorisé, sauf indication contraire dans ce manuel.

## Consignes de sécurité pour l'utilisation



**AVERTISSEMENT :** Lire les messages d'avertissement qui suivent avant d'utiliser l'appareil.

- Veiller à éviter tout démarrage accidentel lors de l'assemblage, de la vérification ou de l'entretien. Si le produit fonctionne à l'essence, débrancher le chapeau de bougie de la bougie. Si le produit fonctionne à batterie, retirer la batterie.
- Parfois, l'herbe et les pierres peuvent être happées par les dents. Toujours arrêter le moteur pour effectuer le nettoyage.



- Faire preuve de prudence à l'égard des projections d'objets. Toujours porter des lunettes de protection. Ne vous penchez jamais sur le rouleau brossier. Des pierres, des débris, etc. peuvent être projetés dans vos yeux, causant la cécité ou des blessures graves.
- L'engrenage peut être très chaud en cours d'utilisation et rester chaud pendant un certain temps après l'utilisation. Vous pourriez être brûlé si vous le touchez.

- Tenez solidement le produit lors du démarrage.
- Bien que les rouleaux brossiers ne soient pas dotés de la même puissance que des lames de tondeuse, par exemple, vous devriez éviter de travailler sur des matières qui peuvent provoquer des blessures personnelles ou des dommages matériels en cas de projection.

- N'utilisez pas ce produit s'il est impossible d'appeler de l'aide en cas d'accident.
- Utilisez uniquement ce produit pour les travaux auxquels il est destiné.
- N'utilisez jamais le produit en cas de fatigue, d'absorption d'alcool ou de prise de médicaments susceptibles de nuire à la vision, au bon jugement ou à la maîtrise du corps.
- N'utilisez jamais le produit dans des conditions climatiques extrêmes, par exemple, dans des climats extrêmement froids, très chauds ou très humides.
- N'utilisez jamais un produit défectueux. Effectuer les vérifications de sécurité, de maintenance et d'entretien conformément aux instructions fournies dans ce manuel. Certaines réparations et tâches d'entretien doivent être effectuées par des spécialistes formés et qualifiés. Voir les instructions à la section Entretien.

- Ne laissez jamais un enfant utiliser le produit.
- Ne laissez jamais des gens utiliser le produit sans d'abord s'assurer qu'ils ont lu et compris le contenu du manuel de l'opérateur.
- Tenez à l'écart toute personne non autorisée. Les enfants, les animaux, les observateurs et les assistants doivent rester en dehors de la zone de sécurité, soit à une distance d'au moins 15 m, pendant que vous travaillez. Arrêtez le produit immédiatement si une personne s'approche.
- Il est recommandé de consulter un expert en cas de doute. Communiquer avec votre concessionnaire ou votre atelier d'entretien.
- Évitez toutes les utilisations qui vous semblent difficiles.
- Observez la zone environnante et s'assurer qu'il n'y a aucune personne ou aucun animal qui risque d'entrer en contact avec le produit ou d'en gêner le contrôle.
- Restez attentif aux appels ou cris d'avertissement lorsque vous portez des protecteurs d'oreilles. Enlevez toujours les protecteurs d'oreilles dès que le moteur s'arrête.

- N'utilisez pas ce produit par mauvais temps, par exemple, en cas de brouillard épais, de forte pluie, de vent violent, de grand froid, etc. Travailler par mauvais temps est éprouvant et ajoute des risques comme un sol glissant.
- Assurez-vous qu'il est possible de vous déplacer et de vous tenir debout en toute sécurité.



- Arrêter le produit avant de se déplacer.
- Ne pas déposer l'outil quand le moteur tourne à moins de l'avoir sous les yeux.
- Toujours tenir le produit à deux mains. Tenir l'outil sur le côté du corps.
- Lorsque le moteur tourne, gardez les mains et les pieds à l'écart de la brosse.
- Lorsque le moteur est coupé, gardez les mains et les pieds à l'écart de la brosse jusqu'à ce qu'elle soit complètement arrêtée.
- En cas d'importantes vibrations, arrêtez le produit. Si le produit fonctionne à l'essence, débranchez le câble haute tension de la bougie. Si le produit fonctionne à batterie, retirez la batterie. S'assurer que le produit n'est pas endommagé. Réparer tout dommage.

## Équipement de protection personnelle

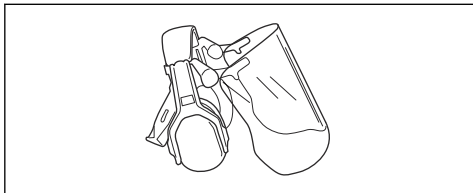


**AVERTISSEMENT :** Lire les messages d'avertissement qui suivent avant d'utiliser l'appareil.

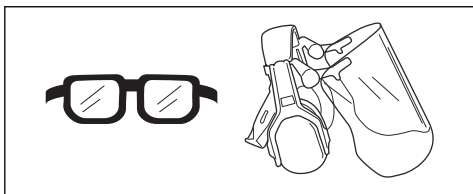
- Toujours utiliser un équipement de protection personnelle homologué lors de l'utilisation de l'appareil. Cet équipement de protection personnelle n'élimine pas complètement les risques de blessures, mais il peut en réduire la gravité en cas d'accident. Laisser le concessionnaire vous aider à sélectionner l'équipement adéquat.
- Porter des protecteurs d'oreille homologués qui assurent une réduction adéquate du bruit.

L'exposition prolongée au bruit peut causer des lésions auditives permanentes.

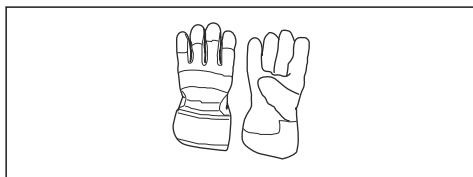
- Garder une trousse de premiers soins à portée de main.



- Utiliser un dispositif de protection homologué pour les yeux. Porter également des lunettes de protection homologuées en cas d'utilisation d'une visière. Les lunettes de protection homologuées doivent être conformes à la norme ANSI Z87.1 aux États-Unis ou à la norme EN 166 dans les pays de l'Union européenne.



- Utiliser des gants au besoin, par exemple lors de la fixation, de l'examen ou du nettoyage de l'équipement de coupe.



- Utiliser des bottes de protection antidérapantes à embout en acier et semelles antidérapantes.



- Utiliser des vêtements faits de tissus résistants. Toujours utiliser des pantalons longs et lourds et des manches longues. Ne pas porter des vêtements amples qui peuvent se prendre dans les broussailles et les branches. Ne pas porter des bijoux, des pantalons courts, des sandales et ne pas marcher pieds nus. Garder les cheveux au-dessus des épaules.



## Dispositifs de sécurité sur l'outil



**AVERTISSEMENT :** Lisez les messages d'avertissement qui suivent avant d'utiliser l'outil.

Cette section décrit l'équipement de sécurité de l'outil, son usage et la façon d'en effectuer les inspections et l'entretien afin de s'assurer qu'il fonctionne correctement. Voir les instructions à la section *Aperçu de l'outil* à la page 20 pour savoir où se trouvent ces pièces sur votre outil.

La durée de vie de l'outil peut être réduite et le risque d'accident peut augmenter si l'entretien de l'outil n'est pas effectué correctement et si l'entretien ou les réparations ne sont pas effectués de façon professionnelle. Pour obtenir de plus amples informations, veuillez communiquer avec votre concessionnaire le plus proche.



**AVERTISSEMENT :** N'utilisez jamais un outil dont les composants de sécurité sont défectueux. L'équipement de sécurité de l'outil doit être inspecté et entretenu selon les directives de la présente section. Si une inspection de l'outil détecte une panne, communiquez avec un atelier spécialisé pour réparation.



**AVERTISSEMENT :** Tous les travaux de réparation nécessitent une formation spéciale. Ceci concerne particulièrement l'équipement de sécurité du produit. Si les contrôles suivants ne donnent pas un résultat positif, on doit communiquer avec un atelier spécialisé. L'achat de l'un de nos produits offre à l'acheteur la garantie d'un service et de réparations qualifiés. Si le détaillant qui vous a vendu le produit n'est pas un centre de service agréé, demandez-lui l'adresse de l'atelier spécialisé le plus proche.

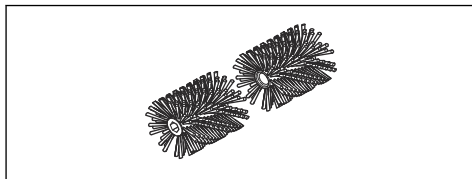
## Consignes de sécurité pour l'entretien



**AVERTISSEMENT :** Arrêtez toujours le produit avant d'effectuer tout entretien de l'équipement. Prenez garde, car l'équipement peut continuer à se déplacer

après avoir relâché l'accélérateur ou la gâchette. Assurez-vous que l'équipement s'est complètement arrêté. Si le produit fonctionne à l'essence, débranchez les câbles haute tension de la bougie. Si le produit fonctionne à batterie, retirez la batterie.

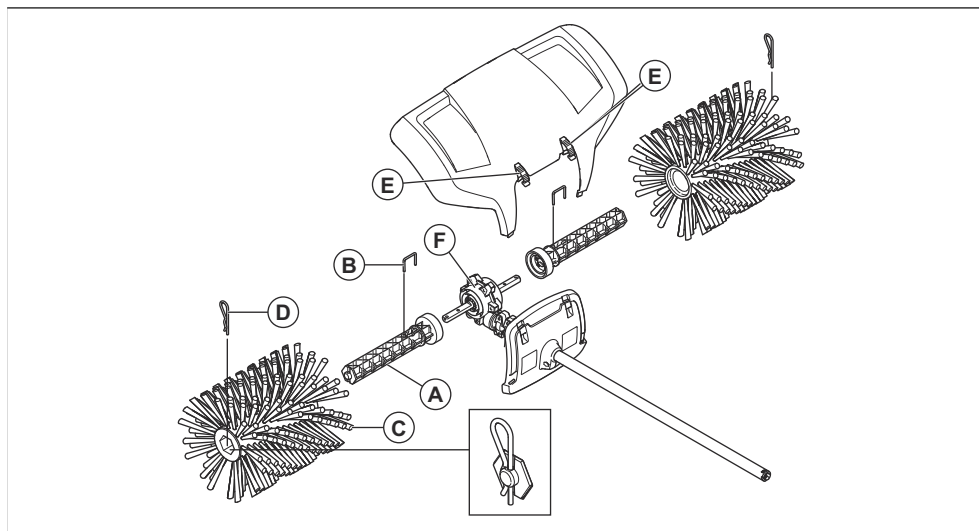
- Si le produit fonctionne à l'essence, assurez-vous qu'il n'y a aucune fuite de carburant.
- Vérifiez que les rouleaux broisseurs ne sont pas endommagés et ne présentent aucun signe de fissure ou d'autres dommages.



- Vérifiez l'ensemble du produit avant de commencer. Remplacer les pièces endommagées.
- Vérifiez que toutes les protections et tous les couvercles sont complets et correctement fixés. Examinez tous les écrous et toutes les vis.

## Montage

### Montage de l'outil



1. Poussez l'un des arbres de rouleau (A) sur l'un des deux arbres d'entraînement sortants du carter (F). Faites pivoter l'arbre du tambour au besoin, de sorte que le trou de la goupille se trouve en face du trou correspondant dans l'arbre d'entraînement.
2. Fixez l'arbre du rouleau au moyen de la goupille de blocage (B).
3. Placez l'un des rouleaux à brosse (C) sur l'arbre monté. Appuyez sur le rouleau jusqu'à ce qu'il s'arrête.
4. Fixez le rouleau sur l'arbre au moyen d'une goupille d'assemblage (D). Lors du montage, appuyez légèrement sur l'extrémité.
5. Répétez ces étapes pour monter l'arbre et le rouleau sur le côté opposé.
6. Montez le dispositif de protection contre les projections au moyen des pièces de fixation encliquetables (E).

**Remarque :** Pour monter des accessoires sur le produit de base, reportez-vous au manuel de ce dernier.

---

## Fonctionnement

---

### Utilisation de l'outil

1. Faites tourner le produit à plein régime (ou presque), la brosse reposant sur la surface.

**Remarque :** Il est à la fois fatigant et inutile de soulever ou de maintenir la brosse au-dessus de la surface de travail.

2. Lorsque vous nettoyez des surfaces étroites telles que des chemins, vous pouvez utiliser le produit pour rejeter les matières directement devant vous. Si vous voulez travailler sur les surfaces plus larges, vous pourriez devoir en suivant un angle afin de déposer les débris d'un seul côté. Les débris formés de matières légères peuvent être collectés dans une rangée ou en tas pour être ramassés plus tard, alors que les débris formés de matières dures ou encombrants peuvent nécessiter plusieurs débarras.



3. Pour travailler dans les coins, retirez le garde-boue, desserrez le raccord de l'accessoire et faites tourner celui-ci d'un demi-tour.



### AVERTISSEMENT : Les

ordures seront ensuite rejetées vers l'utilisateur. En marche arrière, travaillez à basse vitesse et gardez à l'esprit qu'il est facile de trébucher.

4. Conservez un angle de travail réduit à la surface. Un angle de travail trop grand peut créer une tendance du balai à se déplacer vers vous et vous faire perdre le contrôle du produit.



---

## Entretien

---

### Introduction

Vous trouverez ci-dessous quelques instructions d'entretien général. Pour obtenir des renseignements supplémentaires, communiquez avec votre atelier d'entretien.

### Entretien de l'accessoire



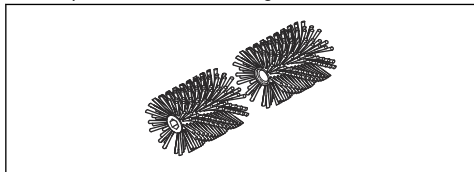
**MISE EN GARDE :** L'accessoire fonctionne dans des conditions sales. Si le produit fonctionne à l'essence, il est très important d'effectuer l'entretien régulier du filtre à air. Le filtre à air doit être lubrifié avec de l'huile pour fonctionner adéquatement. Reportez-vous au manuel de l'opérateur de

l'unité motrice pour obtenir des instructions d'entretien.



**AVERTISSEMENT** : Le carter devient chaud après l'utilisation du produit. N'y touchez pas, vous risqueriez de vous blesser.

1. Vérifiez que les rouleaux brosses ne tournent pas lorsque l'accélérateur ou la gâchette est relâché.



2. Vérifiez que les rouleaux brosses ne sont pas endommagés ou fissurés. Remplacez les rouleaux brosses au besoin.
3. Si vous devez entreposer la brosse pendant de longues périodes, suspendez-la.

## Transport, entreposage et mise au rebut

### Transport et entreposage

Si vous transportez l'outil dans un autre véhicule, utilisez toujours des dispositifs de fixation homologués et assurez-vous que l'outil est bien fixé.

Avant d'effectuer l'entreposage à long terme, assurez-vous de nettoyer l'outil et d'en effectuer l'entretien complet.

## Caractéristiques techniques

### Données techniques des produits à essence

| <b>Brosse en soies</b>  | <b>BR600</b> |
|---|--------------|
| Largeur du rouleau brosses, po/mm   | 23,5/597     |
| Diamètre du rouleau brosses, po/mm  | 10,6/270     |
| <b>Poids</b>  |              |
| Poids, lb/kg  | 11,7/5,3     |
| <b>Émissions sonores <sup>11</sup></b>  |              |
| Niveau de puissance sonore, mesuré en dB (A)  | 106          |
| Niveau de puissance acoustique garanti L <sub>WA</sub> dB(A)  | 110          |
| <b>Niveaux sonores <sup>12</sup></b>  |              |
| Niveau de pression sonore équivalent à l'oreille de l'utilisateur mesuré selon la norme EN ISO 22868, dB(A) : | 94           |

<sup>11</sup> Émission du bruit dans l'environnement mesurée en tant que puissance acoustique (L<sub>WA</sub>) conforme à la directive européenne 2000/14/EC. La puissance sonore reportée pour la machine a été mesurée avec l'outil de coupe d'origine qui fournit le niveau le plus élevé. La puissance sonore garantie diffère du niveau mesuré en cela qu'elle prend également en compte la dispersion et les variations entre plusieurs machines du même modèle, conformément à la directive 2000/14/CE.

<sup>12</sup> Les données se rapportant à la pression sonore équivalente de la machine présentent une dispersion statistique type (écart standard) de 1 dB (A).

|  |              |
|--|--------------|
| <b>Brosse en soies</b>   | <b>BR600</b> |
| <b>Vibrations</b> <sup>13</sup>  |              |
| Niveaux de vibrations équivalents ( $a_{hv,eq}$ ) au niveau des poignées, mesurés selon la norme ISO 22867, en $m/s^2$ |              |
| Poignées avant et arrière  | 3,7/6,2      |

## Données techniques des produits à batterie

|  |                  |
|--|------------------|
| <b>325iLK + Accessoire pour brosse en soiesBR600</b>   |                  |
| Largeur du rouleau brossier, pouce/mm  | 23,5/597         |
| Diamètre du rouleau brossier, pouce/mm   | 10,6/270         |
| <b>Poids</b>   |                  |
| Poids, lb/kg   | 5,1/2,3+11,7/5,3 |
| <b>Niveaux sonores</b> <sup>14</sup>   |                  |
| Niveau de pression sonore à l'oreille de l'utilisateur mesuré selon la norme ISO 22868, dB (A) : | 80               |
| <b>Vibrations</b> <sup>15</sup>  |                  |
| Niveau de vibration à la poignée mesuré selon la norme EN 62841-1, $m/s^2$                       |                  |
| Équipé avec accessoires approuvés (origine), gauche/droite                                       | 3,3/3,1          |

<sup>13</sup> Les données signalées pour le niveau de vibration équivalent présentent une dispersion statistique type (écart standard) de  $1 m/s^2$ .

<sup>14</sup> Les données déclarées pour le niveau de pression sonore de la machine ont une dispersion statistique typique (écart-type) de 3 dB (A) et ont été mesurées avec l'accessoire d'origine qui génère le niveau le plus élevé.

<sup>15</sup> Les données signalées pour le niveau de vibration présentent une dispersion statistique type (écart standard) de  $2 m/s^2$ . Pour comparer les niveaux de vibrations, la batterie et les produits à combustion, utiliser le calculateur de vibrations. <https://www.husqvarna.com/uk/services-solutions/vibration-calculator/>.

## Sommario

|                   |    |  |    |
|-------------------|----|--|----|
| Introduzione..... | 29 | Manutenzione.....                        | 35 |
| Sicurezza.....    | 30 | Trasporto, stoccaggio e smaltimento..... | 36 |
| Montaggio.....    | 34 | Dati tecnici.....                        | 36 |
| Utilizzo.....     | 34 |  |    |

## Introduzione

### Descrizione del prodotto

Procediamo costantemente allo sviluppo dei nostri prodotti e ci riserviamo quindi il diritto di apportare, senza alcun preavviso, modifiche riguardanti fra l'altro la forma e l'aspetto esteriore.

**Nota:** Questo manuale tratta unità a benzina e a batteria.

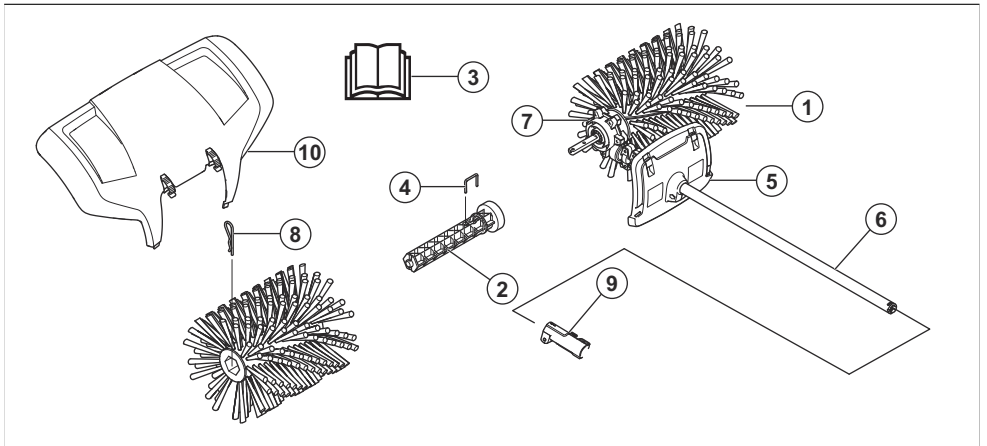
### Uso previsto



**AVVERTENZA:** Questo accessorio può essere usato solo insieme al prodotto per cui è stato progettato, vedere il capitolo sugli accessori nel manuale dell'operatore del prodotto.

L'accessorio è concepito esclusivamente per spazzare sentieri, strade asfaltate e simili.

### Panoramica dell'accessorio



1. Tamburo spazzola
2. Asse tamburo
3. Manuale dell'operatore
4. Spina di bloccaggio
5. Protezione (sull'albero)
6. Albero
7. Scatola ingranaggi
8. Spina
9. Raccordo dell'albero (in dotazione con il prodotto)
10. Paraspruzzi

### Simboli su accessorio e unità:



L'uso negligente o improprio di questo accessorio può provocare lesioni gravi o mortali all'operatore o a terzi.



Prima di usare l'accessorio, leggere attentamente il manuale dell'operatore e accertarsi di averne compreso il contenuto.





Usare cuffie protettive omologate. Utilizzare protezioni per gli occhi omologate. Utilizzare una mascherina se esiste il rischio di inalare la polvere.



Tenersi a una distanza minima di 15 m / 50 ft da persone e animali quando il prodotto è in funzione.



Parti rotanti. Tenere lontani mani e piedi. La freccia indica la direzione di rotazione.



Tenere le parti del corpo lontano dalle superfici roventi.



Utilizzare sempre guanti protettivi omologati.

**Nota:** I restanti simboli/decalcomanie applicati sull'accessorio riguardano particolari requisiti necessari per ottenere la certificazione in alcuni mercati.



Usare stivali robusti e antidirrucciolo.



Pericolo di proiezione di oggetti e particelle.



L'operatore deve assicurarsi che non vi siano persone o animali a una distanza inferiore a 15 m. Quando più operatori lavorano nello stesso luogo, mantenere una distanza di sicurezza di almeno 15 m. L'accessorio può urtare violentemente oggetti che possono rimbalzare, causando seri danni agli occhi se non vengono usati i dispositivi di sicurezza consigliati.

## California Proposition 65

### **WARNING**

I gas di scarico del motore di questo prodotto contengono sostanze chimiche ritenute dallo Stato della California causa di cancro, difetti congeniti o altri danni al sistema riproduttivo.

## Sicurezza

### Definizioni di sicurezza

I simboli di avvertenza e cautela e le note vengono utilizzati per evidenziare le parti importanti del manuale dell'operatore.



**AVVERTENZA:** Utilizzato se è presente un rischio di lesioni o morte dell'operatore o di passanti nel caso in cui le istruzioni del manuale non vengano rispettate.





**ATTENZIONE:** Utilizzato se è presente un rischio di danni al prodotto e/p all'accessorio, ad altri materiali oppure alla zona adiacente nel caso in cui le istruzioni del manuale non vengano rispettate.

**Nota:** Utilizzato per fornire ulteriori informazioni necessarie in una determinata situazione.

## Istruzioni di sicurezza generali



**AVVERTENZA:** Leggere le seguenti istruzioni di sicurezza prima di utilizzare l'accessorio.

- Prima di usare l'accessorio, leggere attentamente il manuale dell'operatore e accertarsi di averne compreso il contenuto.
- Queste istruzioni integrano le istruzioni fornite con il prodotto. Per altre procedure, fare riferimento alle istruzioni di funzionamento per il prodotto.
- Evitare assolutamente di modificare la versione originale dell'accessorio senza l'autorizzazione del fabbricante. Non utilizzare un accessorio che sembra essere stato modificato da altri e utilizzare sempre gli accessori originali. Modifiche e/o accessori non autorizzati possono causare gravi lesioni personali o mortali all'operatore o a terzi.

## Leggere tutte le istruzioni



**AVVERTENZA:** Quando si utilizzano attrezzature elettriche da giardino, occorre sempre seguire le istruzioni di sicurezza di base indicate di seguito per ridurre il rischio di incendio, scossa elettrica e lesioni personali:

## Altre informazioni sulla sicurezza

- Evitare ambienti pericolosi: non utilizzare l'attrezzatura in ambienti umidi o bagnati.
- Non utilizzare sotto la pioggia.
- Tenere i bambini lontani: tutti i visitatori devono essere tenuti a distanza dall'area di lavoro.
- Indossare abiti idonei: non indossare abiti troppo ampi o gioielli. Potrebbero rimanere impigliati nelle parti in movimento. L'uso di guanti di gomma e calzature robuste è consigliato quando si lavora all'aperto. Indossare una cuffia protettiva per raccogliere i capelli lunghi.
- Utilizzare occhiali protettivi: utilizzare sempre una mascherina protettiva in ambienti polverosi.
- Utilizzare l'attrezzatura giusta; non utilizzare l'attrezzatura per lavori diversi da quelli per cui è stata progettata.

- Evitare l'avviamento accidentale: non trasportare l'apparecchio collegato alla rete elettrica con il dito sull'interruttore. Accertarsi che l'interruttore sia spento quando si collega l'attrezzatura.
- Non forzare l'attrezzatura: svolgerà meglio il lavoro, con minori rischi di lesioni, se usata alla velocità per cui è stata progettata.
- Non sporgersi: assumere una posizione sicura e mantenere sempre l'equilibrio.
- Prestare attenzione: concentrarsi sull'attività che si sta svolgendo. Usare il buon senso. Non utilizzare l'attrezzatura quando si è stanchi.
- Riporre l'attrezzatura al coperto quando non viene utilizzata; conservarla al chiuso in un luogo asciutto, elevato o chiuso con una serratura, fuori dalla portata dei bambini.
- Effettuare la manutenzione dell'attrezzatura con cautela: mantenere il bordo tagliente affilato e pulito per garantire prestazioni ottimali e ridurre il rischio di lesioni. Seguire le istruzioni per la lubrificazione e la sostituzione degli accessori. Mantenere le mani asciutte, pulite e prive di olio e grasso.
- Controllare le parti danneggiate: prima di continuare a utilizzare l'attrezzatura, controllare attentamente la protezione o un'altra parte danneggiata per stabilire che funzioni correttamente e svolga la funzione per cui è stata concepita. Verificare che le parti in movimento siano allineate e fissate correttamente, che non vi siano parti o supporti rotti e controllare eventuali condizioni che potrebbero comprometterne il funzionamento. Una protezione o un'altra parte danneggiata deve essere adeguatamente riparata o sostituita da un'officina autorizzata salvo diversamente indicato nel presente manuale.

## Istruzioni di sicurezza per l'utilizzo



**AVVERTENZA:** Leggere le seguenti avvertenze prima di utilizzare il prodotto.

- Assicurarsi di evitare l'avviamento accidentale durante l'assemblaggio, il controllo e/o gli interventi di manutenzione. Se si dispone di un prodotto a benzina, scollegare il cappuccio dalla candela. Se si dispone di un prodotto azionato a batteria, rimuovere la batteria.
- A volte l'erba e i sassi possono rimanere intrappolati nei denti. Fermare sempre il motore/motorino durante la pulizia.
- rischio di oggetti volanti. Usare sempre protezione per gli occhi. Non piegare mai il tamburo della spazzola. C'è la possibilità di essere colpiti a un occhio da un sasso, un ramo o altri oggetti sollevatisi dal terreno, con conseguenze anche molto gravi, quali cecità o altre lesioni.
- L'ingranaggio può riscaldarsi molto durante l'uso e può restare caldo per qualche minuto dopo

lo spegnimento della macchina. Il contatto può implicare il rischio di ustioni.

- Tenere fermo il prodotto saldamente durante l'avviamento.
- Sebbene i tamburi della spazzola non abbiano la stessa forza delle lame di un rasaerba, si dovrebbe evitare ad esempio di lavorare con materiali che possono causare lesioni personali o danni durante l'espulsione.
- Non utilizzare il prodotto se non si è certi di poter chiedere aiuto in caso d'infortunio.
- Non utilizzare il prodotto per scopi diversi da quelli previsti.
- Non usare il prodotto in condizioni di stanchezza o sotto l'effetto di alcool o medicinali in grado di compromettere il proprio stato psichico e il controllo dei propri atti.
- Non usare mai il prodotto in condizioni climatiche estreme come temperature molto basse o clima estremamente caldo e/o umido.
- Non usare mai un prodotto difettoso. Eseguire i controlli di sicurezza e attenersi alle istruzioni di manutenzione e riparazione riportate nel presente manuale. Alcuni interventi devono essere eseguiti da personale specializzato. Vedere le istruzioni alla sezione Manutenzione.
- Non permettere che il prodotto sia utilizzato da bambini.
- Non consentire mai ad altri l'utilizzo del prodotto senza accertarsi che abbiano letto e capito il contenuto del manuale dell'operatore.
- Mantenere distanti i non addetti ai lavori. Bambini, animali, assistenti e anche eventuali spettatori devono sempre essere tenuti ad una distanza di sicurezza di 15 metri durante il lavoro. Arrestare immediatamente l'unità nel caso qualcuno si avvicini.
- Se si è incerti riguardo a come procedere, rivolgersi a un esperto. Contattare il proprio rivenditore o l'officina di assistenza.
- Evitare qualsiasi lavoro per il quale non ci si sente sufficientemente qualificati.
- Osservare l'ambiente circostante per escludere il rischio che persone o animali vengano a contatto con la macchina o ne compromettano il controllo da parte vostra.
- Far sempre attenzione a segnali di allarme o chiamate quando si utilizzano le cuffie protettive. Togliere sempre le cuffie protettive immediatamente all'arresto del motore/motorino.
- Non utilizzare il prodotto in condizioni di tempo sfavorevoli, ad esempio nebbia, pioggia intensa, vento forte, freddo intenso, ecc. Lavorare con tempo cattivo è spesso stancante e comporta situazioni di rischio, come ad esempio il terreno scivoloso.

- Accertarsi di poter camminare e lavorare in sicurezza.



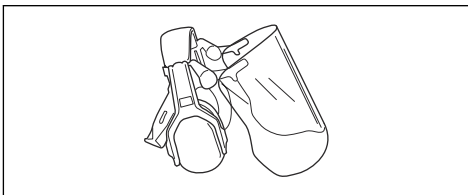
- Durante gli spostamenti spegnere il prodotto.
- Non poggiare il prodotto a motore/motorino acceso se non lo si può tenere d'occhio.
- Tenere sempre il prodotto con entrambe le mani. Tenere il prodotto lateralmente rispetto al corpo.
- Accertarsi che mani e piedi non tocchino la spazzola, a motore/motorino acceso.
- Una volta spento il motore/motorino, tenere mani e piedi lontani dalla spazzola fino al suo completo arresto.
- Se si verificano forti vibrazioni, spegnere il prodotto. Se si dispone di un prodotto azionato a benzina, togliere il cavo HT dalla candela. Se si dispone di un prodotto azionato a batteria, rimuovere la batteria. Accertarsi che il prodotto non sia danneggiato. Riparare eventuali guasti riscontrati.

## Abbigliamento protettivo personale



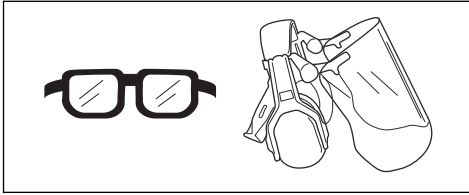
**AVVERTENZA:** Leggere le seguenti avvertenze prima di utilizzare il prodotto.

- Usare sempre abbigliamento protettivo personale omologato quando si utilizza il prodotto. L'uso di abbigliamento protettivo personale non elimina il rischio di lesioni, ma ne riduce la gravità in caso di incidente. Farsi consigliare dal rivenditore per la scelta dell'attrezzatura adatta.
- Usare cuffie protettive con effetto insonorizzante adeguato. Una lunga esposizione al rumore può comportare lesioni permanenti all'udito.

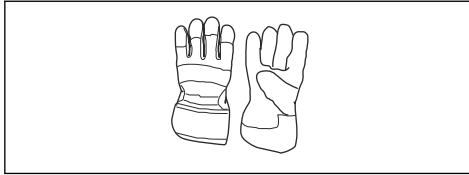


- Utilizzare protezioni per gli occhi omologate. Con l'uso della visiera è necessario anche l'uso di occhiali protettivi omologati. Con il termine occhiali protettivi omologati si intendono occhiali che siano

conformi alle norme ANSI Z87.1 per gli USA o EN 166 per i paesi EU.



- Indossare guanti ove necessario, ad esempio per montare, ispezionare o pulire l'attrezzatura di taglio.



- Usare stivali protettivi con calotta in acciaio e suole antiscivolo.



- Indossare indumenti di tessuto resistente. Indossare sempre pantaloni lunghi e pesanti e maniche lunghe. Non indossare indumenti larghi che potrebbero impigliarsi nei ramoscelli e nei rami. Non indossare gioielli, pantaloni corti o sandali e non lavorare a piedi nudi. Raccogliere i capelli in modo sicuro sopra le spalle.
- Tenere a portata di mano il kit di primo soccorso.



## Dispositivi di sicurezza sull'accessorio



**AVVERTENZA:** Leggere le seguenti avvertenze prima di utilizzare l'accessorio.

In questa sezione vengono presentati i dispositivi di sicurezza dell'accessorio, la loro funzione, il controllo e la manutenzione necessari per assicurarne un funzionamento ottimale. Vedere le istruzioni alla sezione *Panoramica dell'accessorio alla pagina 29* per localizzare questi dispositivi sull'accessorio.

La durata dell'accessorio può ridursi e il rischio di incidenti aumentare se la manutenzione non viene eseguita correttamente e se l'assistenza e/o le riparazioni non vengono effettuate da personale qualificato. Per ulteriori informazioni, contattare il rivenditore con assistenza più vicino.



**AVVERTENZA:** Non utilizzare mai un accessorio con dispositivi di sicurezza difettosi. I dispositivi di sicurezza di sicurezza dell'accessorio vanno controllati e sottoposti a manutenzione secondo quanto descritto in questo capitolo. Se l'accessorio non supera tutti i controlli, contattare un'officina per le necessarie riparazioni.



**AVVERTENZA:** Tutte le riparazioni e l'assistenza del prodotto vanno eseguite da personale specializzato. Quanto detto vale in particolare per i dispositivi di sicurezza del prodotto. Se il prodotto non supera tutti i controlli sottoelencati, contattare l'officina autorizzata. L'acquisto di uno dei nostri prodotti garantisce l'assistenza di personale qualificato. Se non avete acquistato il prodotto presso un rivenditore con centro di assistenza, informatevi sull'ubicazione della più vicina officina autorizzata.

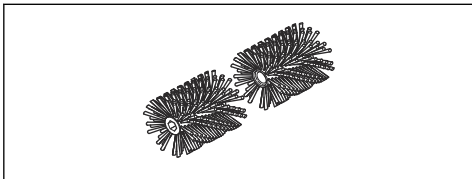
## Istruzioni di sicurezza per la manutenzione



**AVVERTENZA:** Arrestare sempre il prodotto prima di effettuare la manutenzione dell'accessorio. Attenzione, l'accessorio può continuare a muoversi anche quando l'acceleratore o la leva di comando viene rilasciata. Assicurarsi che l'accessorio si sia arrestato completamente. Se si dispone di un prodotto azionato a benzina, togliere i cavi HT dalla candela. Se si dispone di un prodotto azionato a batteria, rimuovere la batteria.

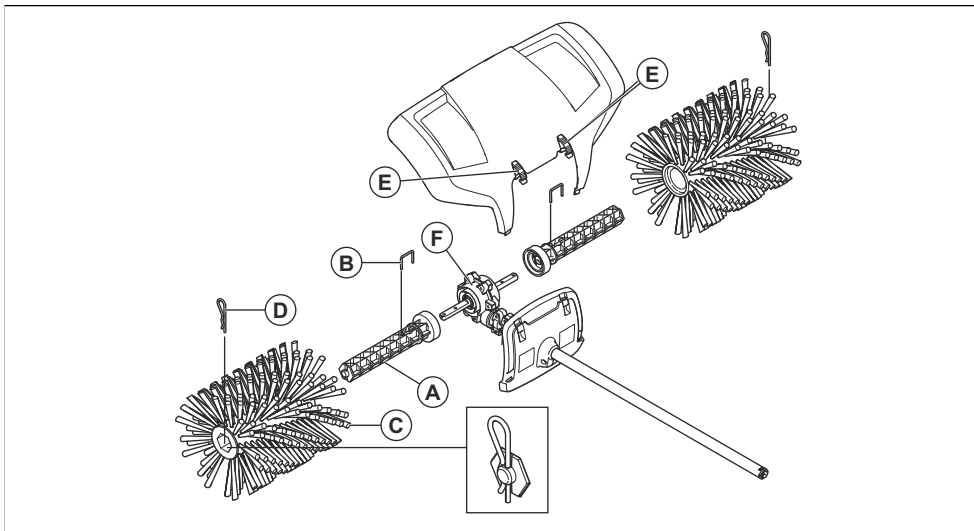
- Controllare l'intero prodotto prima di iniziare il lavoro. Sostituire le parti danneggiate.
- Controllare che tutte le protezioni e i coperchi siano in sede e fissati correttamente. Esaminare tutti i dadi e le viti.
- Se si dispone di un prodotto azionato a benzina, accertarsi che non vi siano perdite di carburante.

- Controllare che i tamburi della spazzola siano integri e non presentino crepe o altri danni.



## Montaggio

### Montaggio dell'accessorio



1. Premere uno dei due assi del tamburo (A) su uno dei due alberi di trasmissione in uscita dalla scatola degli ingranaggi (F). Ruotare l'asse del tamburo, se necessario, in modo che il foro del perno sia posizionato sul foro corrispondente dell'albero di trasmissione.
2. Fissare l'asta del rullo con la spina di bloccaggio (B).
3. Posizionare uno dei rulli della spazzola (C) sull'albero assemblato. Premere verso l'interno il rullo finché non si arresta.

4. Fissare il rullo sull'albero con una coppiglia (D). Premere leggermente l'estremità durante il montaggio.
5. Ripetere questi passaggi per montare l'asse e il rullo sul lato opposto.
6. Montare il paraspruzzi con i bottoni a pressione (E).

**Nota:** Per il montaggio degli accessori sul prodotto base, fare riferimento al relativo manuale.

## Utilizzo

### Utilizzo dell'accessorio

1. Far funzionare il prodotto a pieno regime o con l'acceleratore al massimo (o quasi) con la spazzola appoggiata alla superficie.

**Nota:** È faticoso e inutile sollevare o tenere la spazzola sopra la superficie durante il lavoro.

2. Durante la pulizia di superfici strette, come i sentieri, il prodotto può essere utilizzato in modo che getti i materiali davanti all'utente. Se si desidera lavorare su superfici più ampie, si potrebbe avere la necessità di lavorare ad angolo, in modo che i residui si accumulino lateralmente. I residui, compresi i materiali leggeri, possono essere raccolti in una fila o in un mucchio per la successiva rimozione mentre è probabile che materiali più voluminosi o duri debbano essere raccolti in numerosi cumuli.



3. Per accedere agli angoli, rimuovere il paraspruzzi e allentare l'attacco dell'accessorio e ruotare quest'ultimo di mezzo giro.



**AVVERTENZA:** I rifiuti verranno quindi gettati verso l'utente. Utilizzare una velocità inferiore quando si sposta il prodotto all'indietro e ricordare che è facile inciampare.

4. Mantenere un angolo di lavoro ridotto rispetto alla superficie. Un angolo di lavoro troppo grande significa che la spazzatrice tende a spostarsi verso l'utente e si rischia di perdere il controllo del prodotto .



## Manutenzione

### Introduzione

Seguono alcuni consigli di manutenzione. Se avete bisogno di ulteriori informazioni contattate il servizio di assistenza.

### Manutenzione dell'accessorio



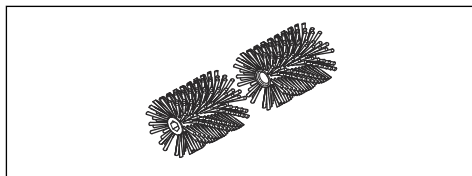
**ATTENZIONE:** L'accessorio viene utilizzato in ambienti sporchi. Se si dispone di un prodotto a benzina, è molto importante eseguire regolarmente la manutenzione del filtro dell'aria. Il filtro dell'aria deve essere lubrificato con olio per funzionare in modo soddisfacente. Per le istruzioni di manutenzione, fare riferimento al manuale operatore del gruppo di potenza.



**AVVERTENZA:** Lavorando con il prodotto la scatola ingranaggi si riscalda.

Evitare di toccare la scatola ingranaggi per evitare ustioni.

1. Controllare che i tamburi della spazzola non girino quando viene rilasciato l'acceleratore o la leva di comando.



2. Controllare che i tamburi della spazzola non presentino danni o incrinature. Sostituire i tamburi della spazzola se necessario.
3. Appendere la spazzola quando non la si utilizza per lunghi periodi.

## Trasporto, stoccaggio e smaltimento

### Trasporto e rimessaggio

Se il trasporto dell'accessorio su un altro veicolo utilizzare sempre dei dispositivi di fissaggio e assicurarsi che l'accessorio sia fissato saldamente.

Accertarsi che l'accessorio sia ben pulito e che sia stato sottoposto a tutte le operazioni di assistenza prima di ogni rimessaggio a lungo termine.

## Dati tecnici

### Dati tecnici dei prodotti a benzina

|  |              |
|--|--------------|
| <b>Spazzola</b>  | <b>BR600</b> |
| Larghezza del tamburo della spazzola, pollici/mm   | 23,5/597     |
| Diametro del tamburo della spazzola, pollici/mm  | 10,6/270     |
| <b>Peso</b>  |              |
| Peso, lb/kg  | 11,7/5,3     |
| <b>Emissioni di rumore</b> <sup>16</sup>   |              |
| Livello acustico, misurato dB (A)  | 106          |
| Livello acustico, garantito L <sub>WA</sub> dB(A)  | 110          |
| <b>Livelli di rumorosità</b> <sup>17</sup>   |              |
| Livello di pressione acustica equivalente rispetto all'udito dell'operatore, misurato in base alle norme EN ISO 22868, dB(A):        | 94           |
| <b>ambientali</b> <sup>18</sup>  |              |
| Livelli di vibrazione equivalenti (a <sub>hv,eq</sub> ) sulle impugnature, misurati in base alle norme ISO 22867, m/s <sup>2</sup> : |              |
| Impugnature anteriori/posteriori   | 3,7 /6,2     |

### Dati tecnici dei prodotti a batteria

|  |          |
|--|----------|
| <b>325iLK + Accessorio con spazzola BR600</b>    |          |
| Larghezza del tamburo della spazzola, pollici/mm | 23,5/597 |
| Diametro del tamburo della spazzola, pollici/mm  | 10,6/270 |

<sup>16</sup> Emissioni di rumore nell'ambiente misurate come potenza sonora (L<sub>WA</sub>) in base alla direttiva CE 2000/14/CE. Il livello di potenza acustica riportato per il macchinario è stato misurato con il gruppo di taglio originale che emette il livello massimo. La differenza tra potenza acustica misurata e garantita è che la potenza acustica garantita comprende anche la dispersione nel risultato di misurazione e le variazioni tra le diverse macchine dello stesso modello come da Direttiva 2000/14/CE.

<sup>17</sup> I dati riportati per il livello di pressione acustica equivalente del macchinario hanno una dispersione statistica tipica (deviazione standard) di 1 dB (A).

<sup>18</sup> I dati riportati per il livello di vibrazioni equivalente hanno una dispersione statistica tipica (deviazione standard) di 1 m/s<sup>2</sup>.

|  |                   |
|--|-------------------|
| <b>325iLK + Accessorio con spazzola BR600</b>  |                   |
| <b>Peso</b>  |                   |
| Peso, lb/kg  | 5,1/2,3,+11,7/5,3 |
| <b>Livelli di rumorosità</b> <sup>19</sup>   |                   |
| Livello di pressione acustica rispetto all'udito dell'operatore, misurato in base alle norme ISO 22868, dB(A): | 80                |
| <b>ambientali</b> <sup>20</sup>  |                   |
| Livelli di vibrazioni delle impugnature, misurati in base alla norma EN 62841-1, m/s <sup>2</sup>              |                   |
| Accessorio approvato (originale) in dotazione, sinistra/destra   | 3,3/3,1           |

<sup>19</sup> I dati riportati relativi al livello di pressione acustica della macchina hanno una tipica dispersione statistica (deviazione standard) di 3 dB (A) e sono stati misurati con il gruppo di taglio originale che fornisce il massimo livello.

<sup>20</sup> I dati riportati per il livello di vibrazioni presentano una dispersione statistica tipica (deviazione standard) di 2 m/s<sup>2</sup>. Per il confronto dei livelli di vibrazioni, della batteria e dei prodotti a combustione, utilizzare il calcolatore delle vibrazioni. <https://www.husqvarna.com/uk/services-solutions/vibration-calculator/>.









FR

Cet appareil,  
ses cordons,  
et batterie  
se recyclent

À DÉPOSER  
EN MAGASIN

OU

À DÉPOSER  
EN DÉCHÈTERIE

Points de collecte sur [www.quefairedemesdechets.fr](http://www.quefairedemesdechets.fr)  
Privilégiez la réparation ou le don de votre appareil !

# Husqvarna®

[www.husqvarna.com](http://www.husqvarna.com)

Original instructions  
Оригинални инструкции  
Původní pokyny  
Originale instruktioner  
Originalanweisungen  
Αρχικές οδηγίες  
Instrucciones originales  
Originaaljuhend

Alkuperäiset ohjeet  
Instructions d'origine  
Eredeti útmutatás  
Originalios instrukcijos  
Lietošanas pamācība  
Originele instructies  
Originale instruksjoner  
Originalne instrukcje  
Instruções originais  
Instrucțiuni inițiale

Оригинальные инструкции  
Pôvodné pokyny  
Izvirna navodila  
Bruksanvisning i original  
Orijinal talimatlar  
原始说明  
Original instructions  
Instrucciones originales  
Instructions d'origine  
Istruzioni originali



FR



1143403-38



2022-11-23